

# Dell™ PowerConnect™ 54xx Systems

## Getting Started Guide

使用入门指南

Začínáme

Guide de mise en route

Handbuch zum Einstieg

Οδηγός για γρήγορο ξεκίνημα

はじめに

시작 설명서

Instrukcja uruchomienia

Guía de introducción

מדריך התחלת העבודה

Başlangıç Kılavuzu



Dell™ PowerConnect™ 54xx  
Systems

# Getting Started Guide

## Notes, Notices, and Cautions



**NOTE:** A NOTE indicates important information that helps to make better use of the device.



**NOTICE:** A NOTICE indicates either potential damage to hardware or loss of data and gives information how to avoid the problem.



**CAUTION:** A CAUTION indicates a potential for property damage, personal injury, or death.

---

**Information in this document is subject to change without notice.**

**© 2007 Dell Inc. All rights reserved.**

Reproduction in any manner whatsoever without the written permission of Dell Inc. is strictly forbidden.

Trademarks used in this text: *Dell*, *Dell OpenManage*, the *DELL* logo, *Inspiron*, *Dell Precision*, *Dimension*, *OptiPlex*, *PowerConnect*, *PowerApp*, *PowerVault*, *Axim*, *DellNet*, and *Latitude* are trademarks of Dell Inc. *Microsoft*, *Windows*, *Windows Server*, and *Windows Vista* are either trademarks or registered trademarks of Microsoft Corporation in the United States and/or other countries.

Other trademarks and trade names may be used in this document to refer to either the entities claiming the marks and names or their products. Dell Inc. disclaims any proprietary interest in trademarks and trade names other than its own.

# Contents

<b>1</b>	<b>Installation</b>	
	Overview .....	5
	Site Preparation .....	5
	Site Requirements .....	5
	Unpacking .....	6
	Package Contents .....	6
	Unpacking the Device .....	6
<b>2</b>	<b>Mounting the Device</b>	
	Overview .....	7
	Device Rack Installation .....	7
	Installing on a Flat Surface .....	8
	Installing on a Wall .....	8
	Connecting a Device to a Power Supply .....	9
<b>3</b>	<b>Starting and Configuring the Device</b>	
	Connecting the Terminal to the Device .....	11
	Booting the Switch .....	13
	Initial Configuration .....	13



# Installation

## Overview

This document provides basic information to install and start running the PowerConnect 5400 series switches. For more information, see the Dell™ PowerConnect™ 5400 series User's Guide, which is available on your Documentation CD or check the Dell support website at [www.support.dell.com](http://www.support.dell.com) for latest updates on documentations and software.

## Site Preparation

### Site Requirements

PowerConnect 5400 series devices can be mounted in a standard 19 inch (48.26 centimeters) equipment rack or placed on a table-top. Before installing the unit, verify that the chosen location for installation meets the site requirements described below.

- **Power** — The unit is installed near an easily accessible outlet 100-250 VAC, 50-60 Hz. It is preferred that two separate power supplies are provided, for example, an RPS and a separated phased supply.
- **General** — Ensure that the power supply is correctly installed by checking the LEDs on the front panel are lit.
- **Clearance** — There is adequate frontal clearance for operator access. Allow clearance for cabling, power connections and ventilation.
- **Cabling** — The cabling is routed to avoid sources of electrical noise such as radio transmitters, broadcast amplifiers, power lines and fluorescent lighting fixtures.
- **Ambient Requirements** — The ambient unit operating temperature range is 0 to 45°C (32 to 113°F) at a relative humidity of 10% to 90%, non-condensing.

# Unpacking

## Package Contents

While unpacking the device, ensure that the following items are included:

- Device/Switch
- AC power cable
- RS-232 crossover cable
- Self-adhesive rubber pads
- Rack mount kit for rack installation
- Documentation CD

## Unpacking the Device



**NOTE:** Before unpacking the device, inspect the package and immediately report any evidence of damage.

- 1** Place the container on a clean flat surface and cut all straps securing the container.
- 2** Open the container or remove the container top.
- 3** Carefully remove the unit from the container and place it on a secure and clean surface.
- 4** Remove all packing material.
- 5** Inspect the product for damage. Report any damage immediately.



# Mounting the Device

## Overview

The following mounting instructions apply to the PowerConnect 5400 series switches. The power connectors for the device is positioned on the back panel. Connecting a Redundant Power Supply (RPS) is optional, but is recommended. The RPS connector is located on the device back panel.

### Device Rack Installation

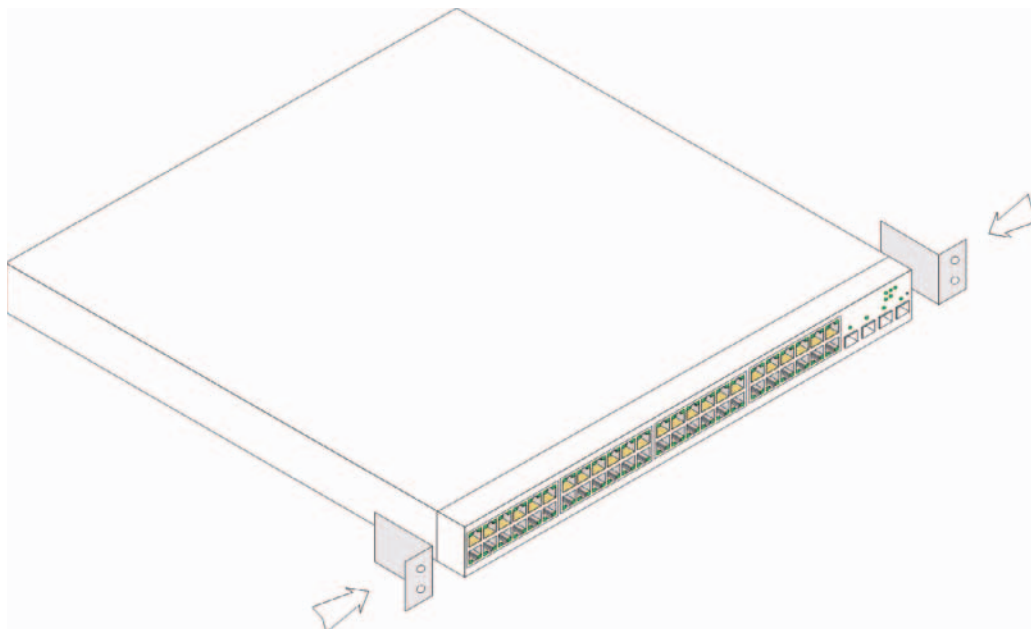
**⚠ CAUTION:** Read the safety information in the Product information Guide as well as the safety information for other devices that connect to or support the switch.

**⚠ CAUTION:** Disconnect all cables from the unit before mounting the device in a rack or cabinet.

**⚠ CAUTION:** When mounting multiple devices into a rack, mount the devices from the bottom up.

- 1 Place the supplied rack-mounting bracket on one side of the device ensuring the mounting holes on the device line up to the mounting holes on the rack mounting bracket. The following figure illustrates where to mount the brackets.

**Figure 2-1. Bracket Installation for Rack Mounting**



- 2** Insert the supplied screws into the rack mounting holes and tighten with a screwdriver.
- 3** Repeat the process for the rack-mounting bracket on the other side of the device.
- 4** Insert the unit into the 19 inch (48.26 centimeters) rack ensuring the rack-mounting holes on the device line up to the mounting hole on the rack.
- 5** Secure the unit to the rack with the rack screws (not provided). Fasten the lower pair of screws before the upper pair of screws. Ensure that the ventilation holes are not obstructed.

### **Installing on a Flat Surface**

The device must be installed on a flat surface if it is not installed on a rack. The surface must be able to support the weight of the device and the device cables.

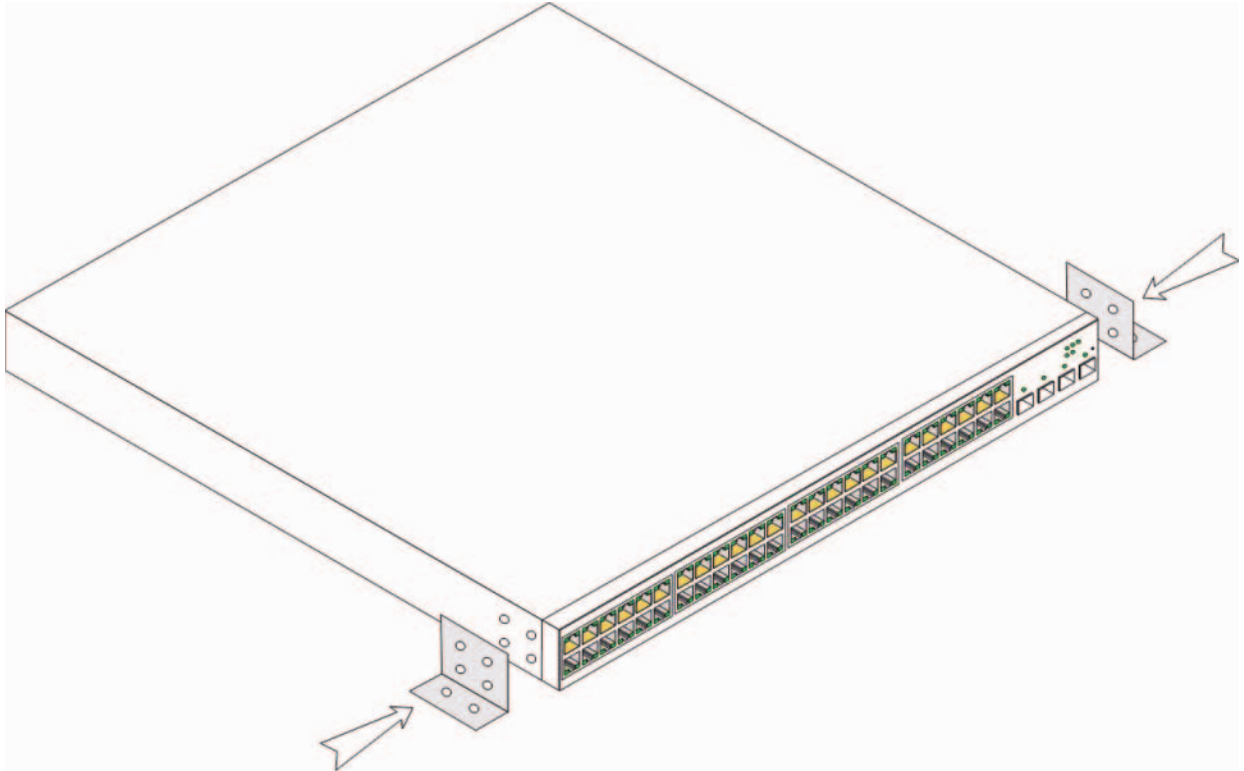
- 1** Attach rubber feet on each marked location on the bottom of the device chassis.
- 2** Set the device on a flat surface, while leaving 2 inches (5.08 centimeters) on each side and 5 inches (12.7 centimeters) at the back.
- 3** Ensure that the device has proper ventilation.

### **Installing on a Wall**

To mount the switch on a wall:

- 1** Ensure that the mounting location meets the following requirements:
  - The surface of the wall must be capable of supporting the switch.
  - Allow at least 5.1 cm (2 inches) space on the sides for proper ventilation and 12.7 cm (5 inches) at the back for power cable clearance.
  - The location must not be exposed to direct sunlight.
  - The location must be at least 2 feet away from any heating vents, and no area-heating vent should point towards the unit.
  - The location must be ventilated to prevent heat buildup.
  - Do not locate the switch near any data or electrical cabling.
  - The power cable must be able to reach an outlet.
- 2** Use the supplied screws to attach a mounting bracket to each side of the switch (see the following figure).

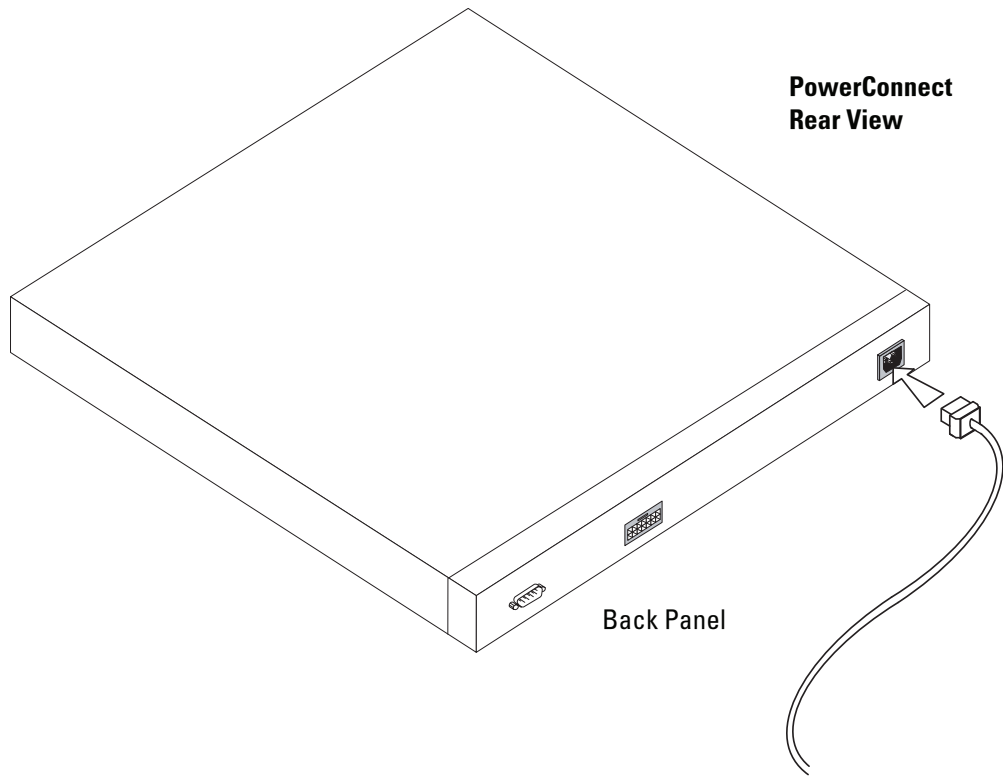
**Figure 2-2. Bracket Installation for Wall Mounting**



### **Connecting a Device to a Power Supply**

- 1** Using the supplied AC power cable, connect the power cable to the AC connector located on the back panel.
- 2** Do not connect the power cable to a grounded AC outlet at this time. Connect the device to a power source in the steps detailed in Starting and Configuring the Device.

**Figure 2-3. Connecting to Power Supply**



- 3** Confirm that the device is connected and operating correctly by examining the LEDs on the front panel.

## Starting and Configuring the Device

After completing all external connections, connect a terminal to the device to configure the device. Performing the additional advanced functions is described in the *Dell™ PowerConnect™ 5400 User's Guide* located on the documentation CD.



**NOTE:** Before proceeding, read the release notes for this product. The release notes can be downloaded from <http://support.dell.com>.



**NOTE:** It is recommended that you obtain the most recent revision of the user documentation from the Dell support website at <http://support.dell.com>.

## Connecting the Terminal to the Device

The device provides a Console port, that enables a connection to a terminal desktop system running terminal emulation software for monitoring and configuring the device. The Console port connector is a male DB-9 connector, implemented as a data terminal equipment (DTE) connector.

To use the Console port, the following is required:

- VT100 compatible terminal or a desktop or portable system with a serial port and running VT100 terminal emulation software.
- An RS-232 crossover cable with a female DB-9 connector for the Console port and the appropriate connector for the terminal.

To connect a terminal to the device Console port, perform the following:

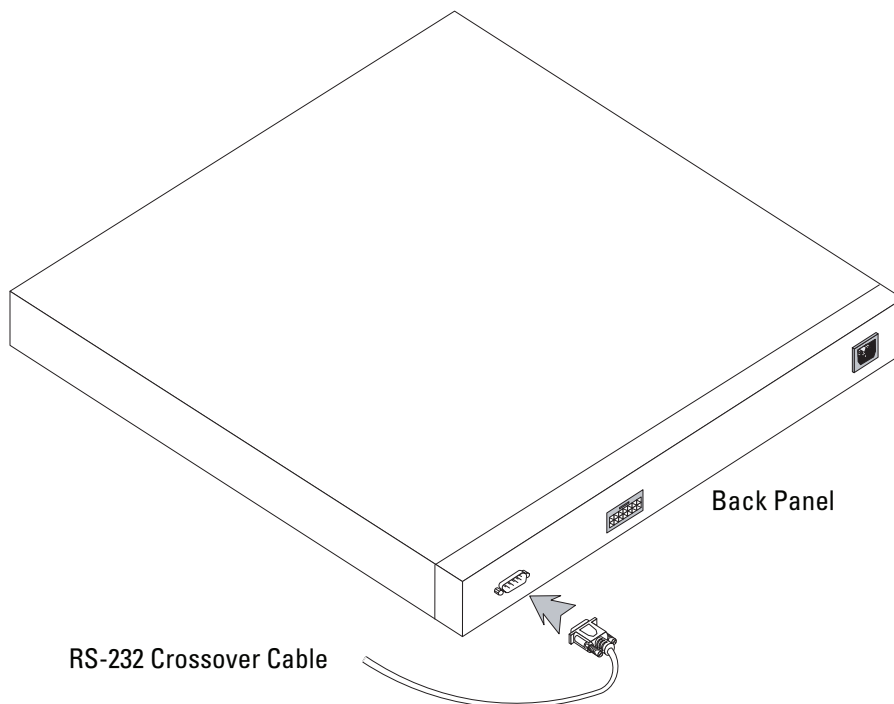
- 1** Connect the supplied RS-232 crossover cable to the terminal running VT100 terminal emulation software.
- 2** Ensure that the terminal emulation software is set as follows:
  - a** Select the appropriate serial port (serial port 1 or serial port 2) to connect to the console.
  - b** Set the data rate to 9600 baud.
  - c** Set the data format to 8 data bits, 1 stop bit, and no parity.

- d Set flow control to none.
- e Under Properties, select VT100 for Emulation mode.
- f Select Terminal keys for Function, Arrow, and Ctrl keys. Ensure that the setting is for Terminal keys (not Windows keys).

**➔ NOTICE:** When using HyperTerminal with Microsoft® Windows 2000, Windows XP, or Windows Vista™, ensure that you have the latest service packs installed. With Windows 2000 Service Pack 2, the arrow keys function properly in HyperTerminal's VT100 emulation. Go to [www.microsoft.com](http://www.microsoft.com) for information on Windows 2000, Windows XP, and Windows Vista service packs.

- 3 Connect the female connector of the RS-232 crossover cable directly to the device Console port on the Master unit/standalone device, and tighten the captive retaining screws. The PowerConnect 5400 series Console port is located on the back panel.

**Figure 3-1. Connecting to PowerConnect 5400 Series Console Port**



## Booting the Switch

To boot the switch, perform the following:

- 1 Ensure that the device console port is connected to a VT100 terminal device or VT100 terminal emulator via the RS-232 crossover cable.
- 2 Locate an AC power receptacle.
- 3 Deactivate the AC power receptacle.
- 4 Connect the device to the AC receptacle.
- 5 Activate the AC power receptacle.

When the power is turned on with the local terminal already connected, the switch goes through Power On Self Test (POST). POST runs every time the device is initialized and checks hardware components to determine if the device is fully operational before completely booting. If a critical problem is detected, the program flow stops. If POST passes successfully, a valid executable image is loaded into RAM. POST messages are displayed on the terminal and indicate test success or failure.

The boot process runs approximately 90 seconds.

## Initial Configuration



**NOTE:** Before proceeding, read the release notes for this product. You can download the release notes from Dell support website at <http://support.dell.com>.



**NOTE:** The initial simple configuration uses the following assumptions:

- The PowerConnect device was never configured before, and is in the same state as when you received it.
- The PowerConnect device booted successfully.
- The console connection is established and the console prompt is displayed on the screen of a VT100 terminal device. (Press the <Enter> key several times to verify that the prompt displays correctly.)

The initial device configuration is through the Serial port. After the initial configuration, the device can then be managed either from the already connected Serial port or remotely through an interface defined during the initial configuration.

The system prompts you to use the Set-up wizard when the device boots up for the first time or if the configuration file is empty because the device is not configured. The Setup Wizard provides guidance through the initial device configuration, and gets the device up and running as quickly as possible.



**NOTE:** Obtain the following information from your network administrator before configuring the device:

- SNMP Community String and SNMP Management System IP address (optional).
- Username and Password.
- The IP address to be assigned to the VLAN 1 interface through which the device is to be managed (by default, every external and internal port is a member of the VLAN 1)
- The IP subnet mask for the network
- The default gateway (next hop router) IP address for configuring the default route.

The Setup Wizard guides you through the initial switch configuration, and gets the system up and running as quickly as possible. You can skip using the setup wizard and configure the switch manually through the device CLI mode. Consult the *PowerConnect 5400 Series User's Guide* for assistance in configuring the device using CLI.

The Setup Wizard configures the following fields.

- SNMP Community String and SNMP Management System IP address (optional)
- Username and Password
- Device IP address
- IP subnet mask
- Default Gateway IP address

The Setup Wizard displays the following information:

```
Welcome to Dell Easy Setup Wizard
```


```
The Setup Wizard guides you through the initial switch configuration,
and gets you up and running easily and quickly. You can also skip
the setup wizard, and enter CLI mode to manually configure the switch
if you prefer. You can exit the setup wizard any time by entering
{CNTRL+Z}. The system will prompt you with a default answer.
By pressing Enter, you accept the default value.
```

```
Would you like to skip the setup wizard? [Y/N] N
```

If you enter [Y], the Set-up wizard exits. If you do not respond within 60 seconds, the Set-up wizard automatically exits and the CLI console prompt appears.

If you enter [N], the Set-up wizard provides interactive guidance through the initial device configuration.

 **NOTE:** You can exit the setup wizard at any time by entering [CNTRL+Z].

 **NOTE:** If you do not respond to any prompt within 60 seconds, the Set-up wizard automatically exits. And, none of your changes are saved.

## Wizard Step 1

The following information displays:

```
The system is not setup for SNMP management by default. To manage
the switch using SNMP (required for Dell Network Manager) you can:
```

- Setup the initial SNMP version 2 account now.
- Return later and setup the SNMP version account. (For more information on setting up a SNMP version 2 account, see the user documentation).

```
Would you like to setup the SNMP management interface now? [Y/N] Y
```

Enter [N] to skip to Step 2.



Enter [Y] to continue the Set-up wizard. The following information displays:

To setup the SNMP management account you must specify the management system IP address and the "community string" or password that the particular management system uses to access the switch. The wizard automatically assigns the highest access level [Privilege Level 15] to this account. You can use Dell Network Manager or other management interfaces to change this setting later, and to add additional management system later. For more information on adding management systems, see the user documentation.

To add a management station:

Please enter the SNMP community string to be used:[MYSETUPWIZARD] >>  
Dell Network Manager

Please enter the IP address of the Management System (A.B.C.D) or wildcard (0.0.0.0) to manage from any Management Station, for example 192.168.1.10. Press **Enter**.

## Wizard Step 2

The following information displays:

Now we need to setup your initial privilege (Level 15) user account. This account is used to login to the CLI and Web interface. You may setup other accounts and change privilege levels later. For more information on setting up user accounts and changing privilege levels, see the user documentation.

To setup a user account:

Please enter the user name:

Please enter the user password:

Please reenter the user password:

Enter the Following:

- User name, for example "admin"
- Password and password confirmation.



**NOTE:** The system prompts you if the first and second password entries are not identical.

Press **Enter**.

### Wizard Step 3

The following information displays:

Next, an IP address is setup. The IP address is defined on the default VLAN (VLAN #1), of which all ports are members. This is the IP address you use to access the CLI, Web interface, or SNMP interface for the switch.

To setup an IP address:

Please enter the IP address of the device (A.B.C.D):

Please enter the IP subnet mask (A.B.C.D or /nn):

Enter the IP address and IP subnet mask, for example 192.168.1.100 as the IP address and 255.255.255.0 as the IP subnet mask.

Press **Enter**.

### Wizard Step 4

The following information displays:

Finally, setup the default gateway. Please enter the IP address of the gateway from which this network is reachable (e.g. 192.168.1.1):

Enter the default gateway.

Press **Enter**. The following is displayed (as per the example parameters described):

This is the configuration information that has been collected:

SNMP Interface = "Dell Network Manager"@192.168.1.10

User Account setup = admin

Password = \*\*\*\*\*

Management IP address = 192.168.1.100 255.255.255.0

Default Gateway = 192.168.1.1

## Wizard Step 5

The following information displays:

```
If the information is correct, please select (Y) to save the
configuration, and copy to the start-up configuration file. If the
information is incorrect, select (N) to discard configuration and
restart the wizard: [Y/N]
```

Enter [N] to skip to restart the wizard.

Enter [Y] to complete the Set-up wizard. The following is displayed:

```
Thank you for using Dell Easy Setup Wizard. You will now enter CLI
mode.
```

## Wizard Step 6

The CLI prompt displays. Consult the *PowerConnect 5400 Series User's Guide* for more information.



# Dell™ PowerConnect™ 54xx 系统

## 使用入门指南

## 注、注意和警告



**注：**“注”表示可以帮助您更好地使用设备的重要信息。



**注意：**“注意”表示可能会损坏硬件或导致数据丢失，并提供如何避免此类问题的信息。



**警告：**“警告”表示可能会出现导致财产损失、人身伤害甚至死亡的情况。

---

本说明文件中的信息如有更改，恕不另行通知。

© 2007 Dell Inc. 版权所有，翻印必究。

未经 Dell Inc. 书面许可，严禁以任何形式进行复制。

本文中使用的商标：*Dell*、*Dell OpenManage*、*DELL* 徽标、*Inspiron*、*Dell Precision*、*Dimension*、*OptiPlex*、*PowerConnect*、*PowerApp*、*PowerVault*、*Axim*、*DellNet* 和 *Latitude* 是 Dell Inc. 的商标。*Microsoft*、*Windows*、*Windows Server* 和 *Windows Vista* 是 Microsoft Corporation 在美国和 / 或其它国家 / 地区的商标或注册商标。

本文件中提及的其它商标和产品名称是指拥有相应商标和名称的公司或其制造的产品。Dell Inc. 对本公司的商标和产品名称之外的其它商标和名称不拥有任何专有权。

# 目录

<b>1 安装</b>	
概览	23
现场准备	23
现场要求	23
打开包装	24
包装箱物品	24
打开设备的包装	24
<b>2 安装设备</b>	
概览	25
设备机架安装	25
在平坦表面上安装	26
在墙上安装	26
将设备与电源连接	27
<b>3 启动和配置设备</b>	
将终端与设备相连	29
引导交换机	30
初始配置	31





# 安装

## 概览

本说明文件提供了安装和开始运行 PowerConnect 5400 系列交换机的基本信息。有关详情，请参阅 Dell™ PowerConnect™ 5400 series User's Guide（Dell™ PowerConnect™ 5400 系列用户指南），这些信息可从说明文件 CD 获得；您也可以查阅 Dell 支持网站 [www.support.dell.com](http://www.support.dell.com) 以获得有关说明文件和软件的最新更新。

## 现场准备

### 现场要求

PowerConnect 5400 系列设备可以安装在标准的 19 英寸（48.26 厘米）设备机架中，也可以放在桌面上。在安装该装置之前，请验证所选的安装位置是否符合如下所述的现场要求。

- 电源要求 — 装置应靠近易于插拔的电源插座 (100-250 VAC, 50-60 Hz) 进行安装。最好提供两个单独的电源设备，例如一个 RPS 和一个单独相位电源设备。
- 一般要求 — 检查前面板上 LED 指示灯的亮起情况，确保电源设备安装正确。
- 空间要求 — 正面应有足够空间以便操作员进行操作。请留出用于布线、电源连接和通风的空间。
- 布线要求 — 布线应远离电子噪声源（如无线电发射器、广播放大器、电源线路和荧光照明装置）。
- 环境要求 — 装置运行环境温度范围为 0 到 45°C（32 到 113°F），相对湿度为 10% 到 90%，非冷凝。

# 打开包装

## 包装箱物品

打开设备包装时，请确保其中包含以下各项：

- 设备 / 交换机
- 交流电源线
- RS-232 绞接电缆
- 自粘胶垫
- 用于机架安装的机架固定套件
- 说明文件 CD

## 打开设备的包装



**注：**打开设备包装之前，请先检查包装，如有损坏请立即报告。

- 1 将包装箱放在整洁的平坦表面上，然后剪断固定该箱的所有包装带。
- 2 打开包装箱或取下包装箱盖。
- 3 从包装箱中小心取出装置，然后将其放在稳定且整洁的表面上。
- 4 取出所有包装材料。
- 5 检查产品是否出现损坏。如有损坏，请立即报告。

# 安装设备

## 概览

以下安装说明适合 PowerConnect 5400 系列交换机。设备的电源连接器位于背面板上。尽管冗余电源设备 (RPS) 是可选部件，但建议您连接此设备。RPS 连接器位于设备背面板上。

### 设备机架安装

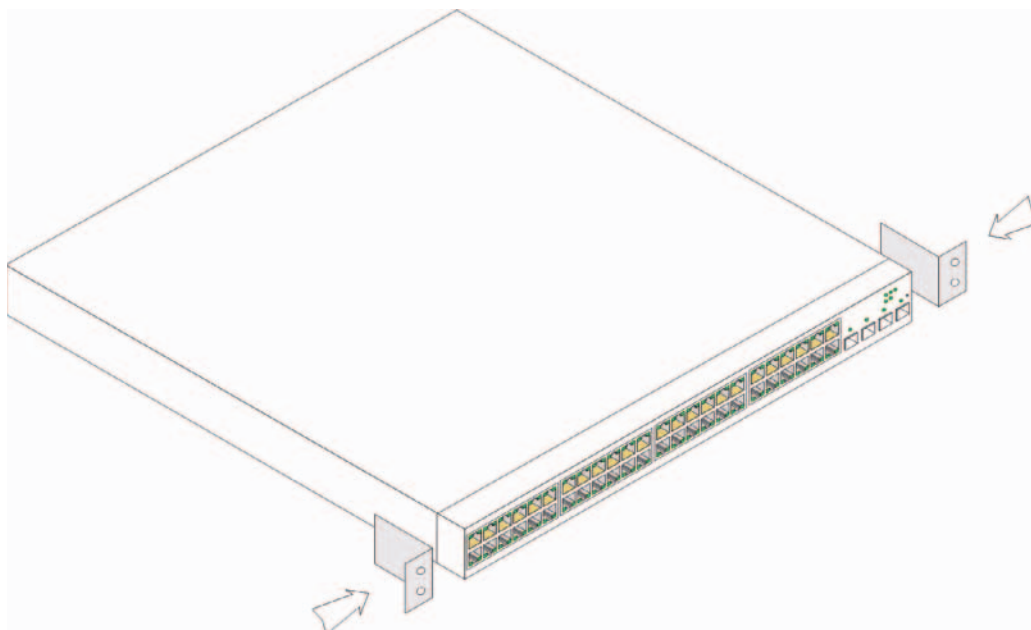
**⚠ 警告：** 请阅读《产品信息指南》中的安全信息，以及连接到该交换机或支持该交换机的其它设备的安全信息。

**⚠ 警告：** 在机架或机柜中安装该设备之前，请先断开装置的所有电缆连接。

**⚠ 警告：** 将多台设备安装到机架中时，请自下向上安装。

- 1 将附带的机架固定支架放置在设备一侧，确保设备上的固定孔与机架固定支架上的固定孔对齐。下图显示了支架的安装位置。

图 2-1. 机架安装过程的支架安装步骤



- 2 将附带的螺钉插入机架固定孔，然后用螺丝刀将其拧紧。
- 3 在设备的另一侧对机架固定支架重复此过程。
- 4 将装置插入 19 英寸（48.26 厘米）的机架，确保设备上的机架固定孔对准机架上的固定孔。
- 5 使用机架螺钉（未附带）将装置固定到机架。先拧紧下面的一对螺钉，然后再拧紧上面的一对螺钉。确保不要堵塞通风孔。

## 在平坦表面上安装

设备如果不安装在机架中，则必须安装在平坦的表面上。该表面必须能够承受设备以及设备电缆的重量。

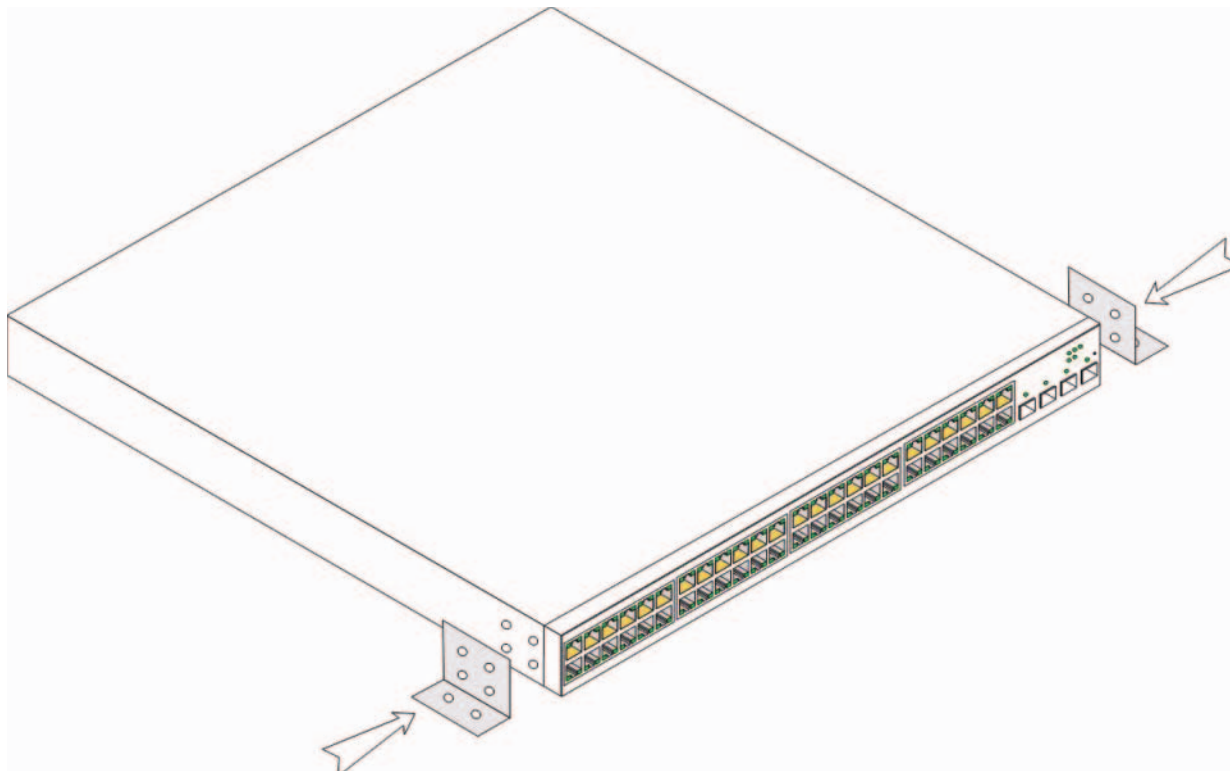
- 1 在设备机箱底部的每个已标记位置上连接橡皮支脚。
- 2 将设备放置在平坦的表面上，两侧各留出 2 英寸（5.08 厘米）空间，背面留出 5 英寸（12.7 厘米）空间。
- 3 确保设备通风良好。

## 在墙上安装

在墙上安装交换机：

- 1 请确保安装位置符合以下要求：
  - 墙壁表面必须能够支撑交换机。
  - 侧面至少应保留 5.1 厘米（2 英寸）空间，以便确保通风良好；背面至少应保留 12.7 厘米（5 英寸）空间，以便放置电源线。
  - 该位置不能暴露在阳光的直接照射下。
  - 该位置应离任何暖气设备至少 2 英尺远，并且区域加热出风口不应对着该装置。
  - 该位置必须通风良好以避免热量积聚。
  - 请勿将交换机放在任何数据或电气电缆附近。
  - 电源电缆必须能够连到电源插座。
- 2 使用附带的螺钉，将固定支架连接至交换机的每一侧（请参阅下图）。

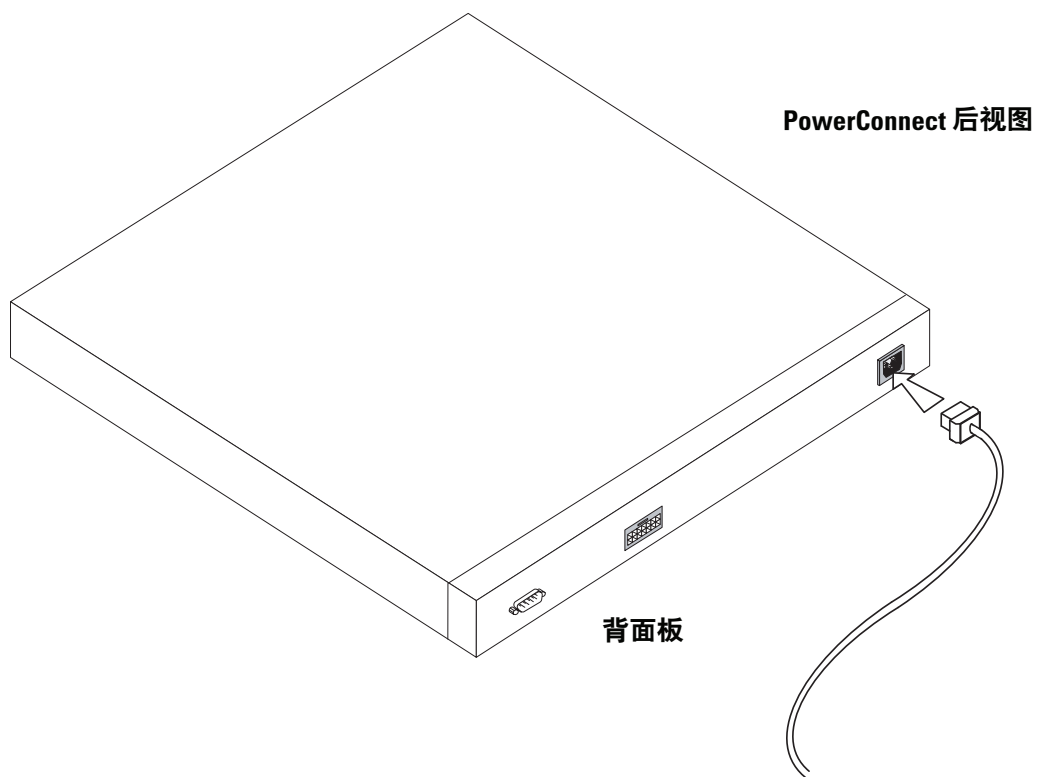
图 2-2. 墙壁安装过程的支架安装步骤



### 将设备与电源连接

- 1 使用附带的交流电源线，将电源电缆连接到背面板上的交流电源连接器上。
- 2 请勿在此时将电源电缆与接地的交流电源插座相连。请按照“启动和配置设备”中的详细步骤将设备连接到电源。

图 2-3. 连接至电源



- 3 通过检查前面板上的 LED 来确定设备已正确连接并且运行正常。

## 启动和配置设备

完成所有外部连接后，请将某个终端与设备相连以配置设备。有关如何执行其它高级功能的信息，请参阅位于说明文件 CD 上的 *Dell™ PowerConnect™ 5400 User's Guide* (*Dell™ PowerConnect™ 5400* 用户指南)。

 **注：**在继续之前，请阅读本产品的版本注释。您可以从 <http://support.dell.com> 下载版本注释。

 **注：**建议您从 Dell 支持网站 <http://support.dell.com> 获取用户说明文件的最新修订版。

### 将终端与设备相连

该设备提供了一个控制台端口，利用它可以与运行终端仿真软件的终端台式机系统相连，以便监控和配置设备。此控制台端口连接器是一个 DB-9 插头连接器，可用作数据终端设备 (DTE) 连接器。

要使用控制台端口，需要以下各项：

- VT100 兼容终端，或者配备串行端口并运行 VT100 终端仿真软件的台式机或便携式系统。
- 一根 RS-232 绞接电缆，配有适合控制台端口的 DB-9 内孔连接器以及适合终端的连接器的。

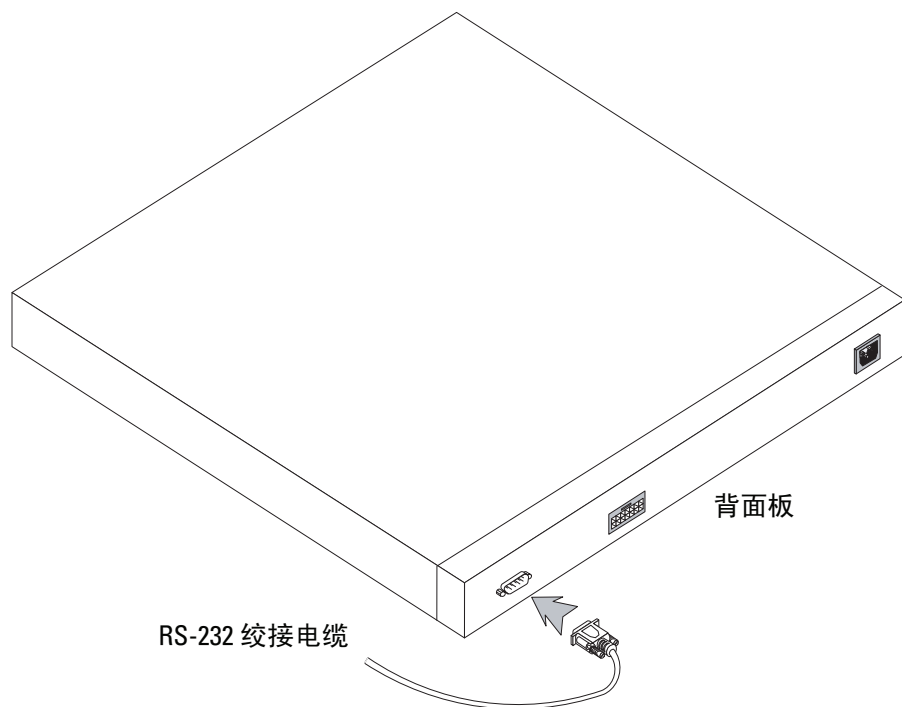
要将终端连接至设备控制台端口，请执行以下步骤：

- 1 将附带的 RS-232 绞接电缆与运行 VT100 终端仿真软件的终端相连。
- 2 确保按照以下步骤设置终端仿真软件：
  - a 选择适当的串行端口（串行端口 1 或串行端口 2）以连接至控制台。
  - b 将数据速率设置为 9600 波特。
  - c 将数据格式设置为 8 个数据位、1 个停止位以及无奇偶校验。
  - d 将流控制设置为 none（无）。
  - e 在 Properties（属性）下选择 VT100 for Emulation（VT100 仿真）模式。
  - f 选择终端键作为功能键、箭头键和 Ctrl 键。确保设置适用于终端键（而不是 Windows 键）。

 **注意：**将 HyperTerminal 与 Microsoft® Windows 2000、Windows XP 或 Windows Vista™ 一起使用时，请确保您已安装了最新的服务软件包。通过使用 Windows 2000 Service Pack 2，箭头键可以在 HyperTerminal 的 VT100 仿真中发挥正常功能。有关 Windows 2000、Windows XP 和 Windows Vista 服务软件包的信息，请访问 [www.microsoft.com](http://www.microsoft.com)。

- 3 将 RS-232 绞接电缆的内孔连接器直接与主控单元 / 独立设备的设备控制台端口相连，然后拧紧固定螺钉。PowerConnect 5400 系列的控制台端口位于背面板上。

图 3-1. 连接到 PowerConnect 5400 系列的控制台端口



## 引导交换机

要引导交换机，请执行以下步骤：


- 1 确保将设备控制台端口通过 RS-232 绞接电缆与 VT100 终端设备或 VT100 终端仿真器相连。
- 2 找到交流电源插座。
- 3 停用交流电源插座。
- 4 将设备连接至交流插座。
- 5 启用交流电源插座。


打开电源并连接本地终端后，交换机将进行开机自测 (POST)。POST 在每次初始化设备时进行，用于检查硬件组件以确定设备在完全引导之前是否能正常运转。如果检测到严重问题，程序流就会停止。如果 POST 成功通过，将载入一个有效的可执行映像到 RAM 中。POST 信息显示在终端上，用于指出自测是否成功。

引导过程大约运行 90 秒钟。



## 初始配置


 **注：**在继续之前，请阅读本产品的版本注释。可以从 Dell 支持网站 <http://support.dell.com> 下载版本注释。

 **注：**初始简单配置使用以下假设：

- PowerConnect 设备此前从未进行配置，其状态与收到时的状态相同。
- PowerConnect 设备引导成功。
- 控制台连接已建立，并且控制台提示信息显示在 VT100 终端设备的屏幕上。  
(按 <Enter> 键数次，验证提示信息能否正确显示。)

初始设备配置通过串行端口进行。完成初始配置后，既可以通过已连接的串行端口管理设备，也可以通过初始配置过程中定义的接口对设备进行远程管理。

设备初次引导时，或如果由于尚未配置设备而配置文件为空时，系统会提示您使用安装向导。该安装向导将指导您完成初始设备配置，并尽快使设备开机并运行。

 **注：**配置设备之前，从网络管理员处获得以下信息：

- SNMP 团体字符串和 SNMP 管理系统 IP 地址（可选）。
- 用户名和密码。
- 要分配给 VLAN 1 接口（通过该接口管理设备）的 IP 地址（默认情况下，每个外部端口和内部端口都是 VLAN 1 的成员）
- 网络 IP 子网掩码
- 配置默认路由的默认网关（下一跃距路由器）IP 地址。

该安装向导将指导您完成初始交换机配置，并尽快使系统开机并运行。您可以跳过使用安装向导并通过设备 CLI 模式手动配置交换机。请参阅 *PowerConnect 5400 Series User's Guide*（PowerConnect 5400 系列用户指南）以获得有关使用 CLI 配置设备的帮助。

安装向导将配置以下字段。

- SNMP 团体字符串和 SNMP 管理系统 IP 地址（可选）
- 用户名和密码
- 设备 IP 地址
- IP 子网掩码
- 默认网关 IP 地址

安装向导将显示以下信息：


```
Welcome to Dell Easy Setup Wizard (欢迎使用 Dell 简易安装向导)
```


```
The Setup Wizard guides you through the initial switch configuration,
and gets you up and running easily and quickly. You can also skip the
setup wizard, and enter CLI mode to manually configure the switch if
you prefer. You can exit the setup wizard any time by entering
{CNTRL+Z}. The system will prompt you with a default answer. By
pressing Enter, you accept the default value. (该安装向导将指导您完成初始
交换机配置，并使您可以快速简便地开机并运行。如果愿意，您还可以跳过安装向导，进入
CLI 模式手动配置交换机。您可以随时通过输入 [CNTRL+Z] 退出安装向导。系统会以默认
回答提示您。您可以通过按 Enter 键接受默认值。)
```

```
Would you like to skip the setup wizard? [Y/N] N
(是否跳过安装向导? [Y/N] N)
```

如果您输入 [Y]，则安装向导退出。如果您没有在 60 秒之内响应，则安装向导会自动退出并随即显示 CLI 控制台提示符。

如果您输入 [N]，则安装向导提供交互指导带领您完成初始设备配置。

 **注：** 您可以随时通过输入 [CNTRL+Z] 退出安装向导。

 **注：** 如果您没有在 60 秒之内响应，则安装向导会自动退出，并且不会保存您所做的任何更改。

## 向导步骤 1

系统将显示以下信息：

```
The system is not setup for SNMP management by default. To manage the
switch using SNMP (required for Dell Network Manager) you can: (默认情
况下，系统未配置为使用 SNMP 管理。要使用 SNMP 管理交换机 [Dell Open Network
Manager 要求]，您可以：)
```

- Setup the initial SNMP version 2 account now. (立即设置初始 SNMP 版本 2 帐户。)
- Return later and setup the SNMP version account. (For more information on setting up a SNMP version 2 account, see the user documentation). (稍后返回并设置 SNMP 版本帐户。[有关设置 SNMP 版本 2 帐户的详情，请参阅用户说明文件。])

```
Would you like to setup the SNMP management interface now? [Y/N] Y
(是否立即设置 SNMP 管理界面? [Y/N] Y)
```

输入 [N] 跳转至步骤 2。

输入 [Y] 继续运行安装向导。系统将显示以下信息：

To setup the SNMP management account you must specify the management system IP address and the "community string" or password that the particular management system uses to access the switch. The wizard automatically assigns the highest access level [Privilege Level 15] to this account. You can use Dell Network Manager or other management interfaces to change this setting later, and to add additional management system later. For more information on adding management systems, see the user documentation. (要设置 SNMP 管理帐户，必须指定管理系统 IP 地址，以及“团体字符串”或特定管理系统用于访问交换机的密码。该向导将自动为此帐户分配最高级别的访问权限 [权限级别 15]。可以使用 Dell Network Manager 或其它管理界面稍后更改这一设置，并在稍后添加其它管理系统。有关添加管理系统的详情，请参阅用户说明文件。)

To add a management station: (要添加管理站：)

Please enter the SNMP community string to be used:[MYSETUPWIZARD] >>  
Dell Network Manager (请输入要使用的 SNMP 团体字符串：[MYSETUPWIZARD] >>  
Dell Network Manager)

请输入管理系统的 IP 地址 (A.B.C.D) 或通配符 (0.0.0.0) 以便从任何管理站进行管理，例如 192.168.1.10。按 **Enter** 键。

## 向导步骤 2

系统将显示以下信息：

Now we need to setup your initial privilege (Level 15) user account. This account is used to login to the CLI and Web interface. You may setup other accounts and change privilege levels later. For more information on setting up user accounts and changing privilege levels, see the user documentation. (现在，需要设置初始权限 [级别 15] 用户帐户。该帐户用于登录到 CLI 界面及 Web 界面。稍后，可以设置其它帐户并更改权限级别。有关设置用户帐户和更改权限级别的详情，请参阅用户说明文件。)

To setup a user account: (要设置用户帐户：)

Please enter the user name: (请输入用户名：)

Please enter the user password: (请输入用户密码：)

Please reenter the user password: (请重新输入用户密码：)

输入以下内容：

- 用户名，例如 "admin"
- 密码和密码确认。



**注：**如果第一次和第二次密码输入不同，则系统会提示您。

按 **Enter** 键。

### 向导步骤 3

系统将显示以下信息：

Next, an IP address is setup. The IP address is defined on the default VLAN (VLAN #1), of which all ports are members. This is the IP address you use to access the CLI, Web interface, or SNMP interface for the switch. (接下来, 设置 IP 地址。在默认的 VLAN [VLAN #1] 上定义 IP 地址, 其中的所有端口均是成员。对于交换机, 这是用于访问 CLI 界面、Web 界面或 SNMP 界面的 IP 地址。)

To setup an IP address: (要设置 IP 地址: )

Please enter the IP address of the device (A.B.C.D):

(请输入设备的 IP 地址 [A.B.C.D]: )

Please enter the IP subnet mask (A.B.C.D or /nn):

(请输入 IP 子网掩码 [A.B.C.D 或 /nn]: )

输入 IP 地址和 IP 子网掩码, 例如, 输入 192.168.1.100 作为 IP 地址和 255.255.255.0 作为 IP 子网掩码。  
按 **Enter** 键。

### 向导步骤 4

系统将显示以下信息：

Finally, setup the default gateway. Please enter the IP address of the gateway from which this network is reachable (e.g. 192.168.1.1): (最后, 设置默认网关。请输入通过它可访问网络的网关 IP 地址 [例如, 192.168.1.1]: )

输入默认网关。

按 **Enter** 键。系统将显示以下内容 (根据上述示例参数) :

This is the configuration information that has been collected:  
(以下是已收集的配置信息: )

SNMP Interface = "Dell Network Manager"@192.168.1.10  
(SNMP 界面 = "Dell Network Manager"@192.168.1.10)

User Account setup = admin (用户帐户设置 = admin)

Password = \*\*\*\*\* (密码 = \*\*\*\*\*)

Management IP address = 192.168.1.100 255.255.255.0  
(管理 IP 地址 = 192.168.1.100 255.255.255.0)

Default Gateway = 192.168.1.1 (默认网关 = 192.168.1.1)

## 向导步骤 5

系统将显示以下信息：

```
If the information is correct, please select (Y) to save the
configuration, and copy to the start-up configuration file. If the
information is incorrect, select (N) to discard configuration and
restart the wizard: [Y/N] (如果信息正确, 请选择 [Y] 保存配置, 并将其复制到启
动配置文件。如果信息不正确, 请选择 [N] 丢弃配置, 然后重新启动向导: [Y/N])
```

输入 [N] 跳过以重新启动该向导。

输入 [Y] 完成安装向导。系统将显示以下内容：

```
Thank you for using Dell Easy Setup Wizard. You will now enter CLI
mode. (感谢您使用 Dell 简易安装向导。现在您将进入 CLI 模式。)
```

## 向导步骤 6




系统将显示 CLI 提示符。有关详情，请参阅 *PowerConnect 5400 Series User's Guide*（PowerConnect 5400 系列用户指南）。



Systemy Dell™  
PowerConnect™ 54xx

# Začínáme

## Poznámky, upozornění a výstrahy

-  **POZNÁMKA:** POZNÁMKA označuje důležitou informaci, s jejíž pomocí lépe využijete svůj počítač.
-  **UPOZORNĚNÍ:** UPOZORNĚNÍ označuje hrozící nebezpečí poškození hardwaru nebo ztráty dat a radí, jak problému předejít.
-  **POZOR:** Výstraha označuje možné nebezpečí poškození majetku, úrazu nebo usmrcení osob.

---

**Informace obsažené v tomto dokumentu podléhají změnám bez předchozího upozornění.**

© 2007 Dell Inc. Všechna práva vyhrazena.

Reprodukce jakýmkoli způsobem bez písemného povolení společnosti Dell Computer Corporation je přísně zakázána.

Ochranné známky použité v tomto textu: *Dell, Dell OpenManage*, logo *DELL*, *Inspiron*, *Dell Precision*, *Dimension*, *OptiPlex*, *PowerConnect*, *PowerApp*, *PowerVault*, *Axim*, *DellNet* a *Latitude* jsou ochranné známky společnosti Dell Inc. *Microsoft*, *Windows*, *Windows Server* a *Windows Vista* jsou ochranné známky nebo registrované ochranné známky společnosti Microsoft Corporation ve Spojených státech nebo dalších zemích.

V tomto dokumentu mohou být použity další ochranné známky a obchodní názvy odkazující na subjekty, kterým tyto známky či názvy patří, nebo na jejich výrobky. Společnost Dell Inc. se zříká jakýchkoli vlastnických zájmů o jiné než vlastní ochranné známky a obchodní názvy.



# Obsah

1	Instalace	
	<b>Úvod</b> . . . . .	<b>41</b>
	<b>Příprava instalačního místa</b> . . . . .	<b>41</b>
	Požadavky na místo instalace . . . . .	41
	<b>Rozbalení</b> . . . . .	<b>42</b>
	Obsah balení . . . . .	42
	Vybalení zařízení . . . . .	42
2	Montáž zařízení	
	<b>Úvod</b> . . . . .	<b>43</b>
	Instalace zařízení do stojanu . . . . .	43
	Instalace na rovný povrch. . . . .	44
	Instalace na zeď. . . . .	44
	Připojení zařízení ke zdroji napájení . . . . .	45
3	Spuštění a konfigurace zařízení	
	<b>Připojení terminálu k zařízení</b> . . . . .	<b>47</b>
	<b>Bootování přepínače</b> . . . . .	<b>49</b>
	<b>Počáteční konfigurace</b> . . . . .	<b>49</b>



# Instalace

## Úvod

Tento dokument obsahuje základní informace pro instalaci a provoz přepínačů řady PowerConnect 5400. Další informace naleznete v Uživatelské příručce pro zařízení řady Dell™ PowerConnect™ 5400, která se nachází na disku CD Documentation, nebo navštivte webové stránky podpory společnosti Dell na adrese [www.support.dell.com](http://www.support.dell.com), kde najdete nejnovější aktualizace dokumentace a softwaru.

## Příprava instalačního místa

### Požadavky na místo instalace

Zařízení řady PowerConnect 5400 lze montovat do standardních 48,26cm stojanů nebo umístit na desku stolu. Před instalací jednotky si ověřte, zda zvolené místo instalace splňuje níže uvedené požadavky:

- **Napájení** — Jednotka je instalována v blízkosti snadno dostupné zásuvky 100-250 VAC, 50-60 Hz. Doporučuje se použít dva samostatné napájecí kabely, například kabel zdroje RPS a samostatný fázový přívod.
- **Obecné** — Ujistěte se o správném nainstalování zdroje napájení tak, že zkontrolujete, zda svítí kontrolky na čelním panelu.
- **Volný prostor** — U přední strany přepínače je k dispozici dostatečný prostor pro přístup obsluhy. Zajistěte prostor pro kabeláž, připojení napájení a ventilaci.
- **Kabeláž** — Kabely jsou vedeny mimo zdroje elektrického šumu, jako jsou rádiové vysílače, reproduktory, elektrická vedení a fluorescenční osvětlení.
- **Požadavky na okolí** — Rozsah okolní provozní teploty jednotky je 0 až 45 °C při relativní vlhkosti 10 až 90 %, nekondenzující.

# Rozbalení

## Obsah balení

Při rozbalování zařízení se ujistěte, že balení obsahuje následující položky:

- Zařízení / Přepínač
- Napájecí kabel
- Redukční kabel RS-232
- Samolepící gumové podložky
- Soupravu pro instalaci do stojanu
- CD s dokumentací

## Vybalení zařízení



**POZNÁMKA:** Před rozbalením zařízení zkontrolujte balení a neprodleně oznamte jakékoli známky poškození.

- 1** Položte krabici na čistý rovný povrch a přeřízněte všechny pásy zajišťující krabici.
- 2** Otevřete krabici nebo sejměte její vrchní díl.
- 3** Opatrně vyjměte jednotku z krabice a položte ji na bezpečný a čistý povrch.
- 4** Odstraňte z přepínače veškerý obalový materiál.
- 5** Zkontrolujte, zda není produkt poškozen. Všechna poškození ihned oznamte.

# Montáž zařízení

## Úvod

Následující montážní pokyny se vztahují k přepínačům řady PowerConnect 5400. Konektory napájení zařízení se nacházejí na zadní straně. Připojení záložního zdroje energie (RPS) je volitelné, nicméně se doporučuje. Konektor zdroje RPS je umístěn na zadní straně zařízení.

### Instalace zařízení do stojanu

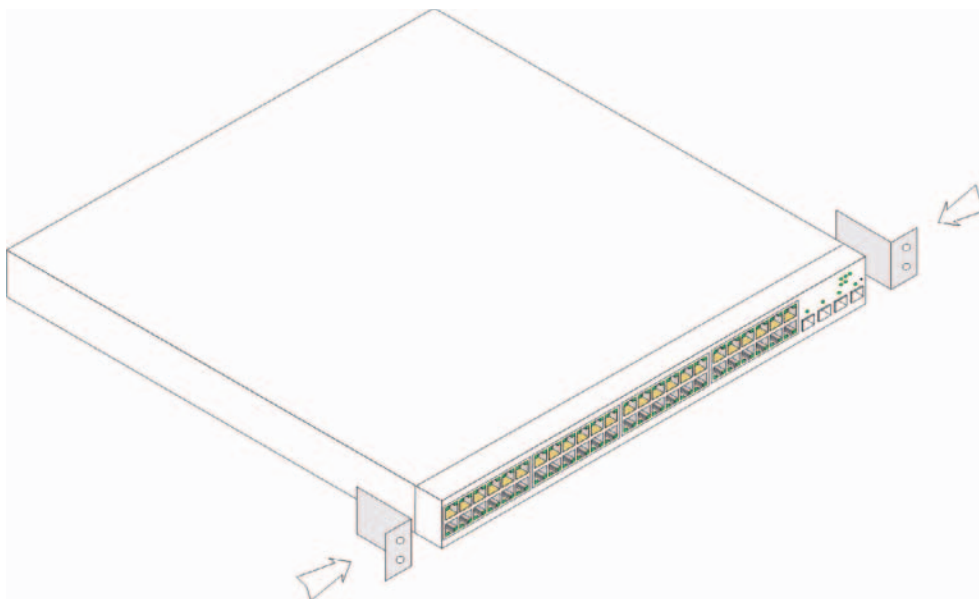
**⚠ POZOR:** Přečtěte si bezpečnostní informace v Informační příručce produktu i bezpečnostní informace platné pro ostatní zařízení připojená k přepínači nebo jej nesoucí.

**⚠ POZOR:** Před upevňováním zařízení do stojanu nebo skříně odpojte z jednotky všechny kabely.

**⚠ POZOR:** Při montáži více zařízení do stojanu montujte tato zařízení zdola nahoru.

- 1 Umístěte přiložený montážní držák na jednu stranu zařízení a ujistěte se, že montážní otvory na zařízení jsou v zákrytu s otvory na montážním držáku. Následující obrázek ilustruje, kam připevnit držáky.

Obr. 2-1. Instalace držáku při montáži do stojanu



- 2** Nasad'te p'riložené šrouby do montážních otvorů a utáhněte je šroubovákem.
- 3** Tento postup opakujte u konzoly pro montáž do regálu na druhé straně zařízení.
- 4** Zasuňte jednotku do stojanu tak, aby montážní otvory na zařízení byly vyrovnány s montážními otvory ve stojanu.
- 5** Zajistěte jednotku ve stojanu pomocí šroubů (nejsou součástí). Nejdříve utáhněte dolní pár šroubů a potom horní. Ujistěte se, že nejsou zakryty ventilační otvory.

## **Instalace na rovný povrch**

V případě, že není zařízení instalováno do stojanu, musí být instalováno na rovný povrch. Povrch musí být schopen vydržet hmotnost zařízení a kabelů.

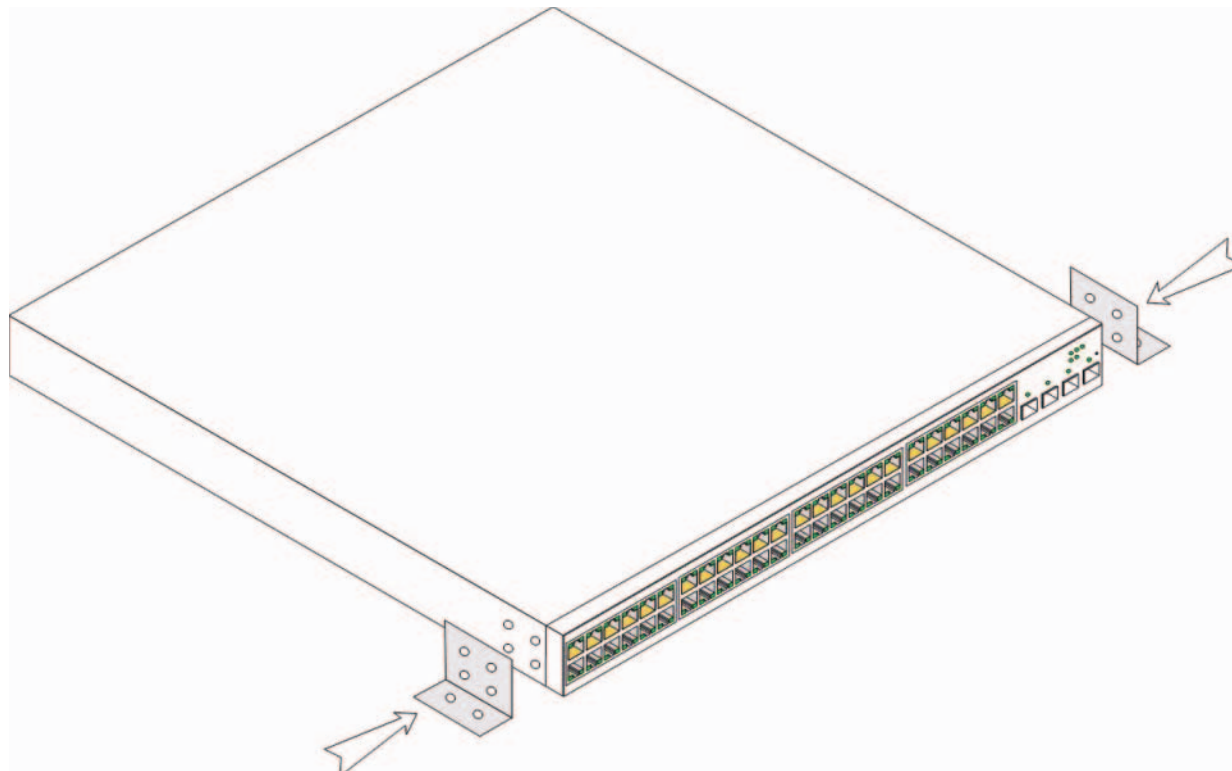
- 1** Na označená místa na spodní straně šasi zařízení připevněte gumové patky.
- 2** Umístěte zařízení na rovnou plochu tak, aby po stranách zůstalo 5,08 cm a vzadu 12,7 cm volného prostoru.
- 3** Ujistěte se, že zařízení má řádnou ventilaci.

## **Instalace na zeď**

Při montáži na zeď zajistěte následující:

- 1** Zajistěte, aby místo instalace splňovalo následující požadavky:
  - Povrch zdi musí být schopen unést zařízení.
  - Na stranách je nutné ponechat nejméně 5,1 cm volného prostoru pro řádné větrání a vzadu 12,7 cm volného prostoru pro napájecí kabel.
  - Místo nesmí být vystaveno přímému slunečnímu záření.
  - Místo se musí nacházet nejméně 60 cm od tepelných zdrojů a výstupy takových tepelných zdrojů nesmí být nasměrovány na jednotku.
  - Místo musí být větráno, aby nedocházelo k hromadění tepla.
  - Neumísťujte přepínač do blízkosti datové nebo elektrické kabeláže.
  - Napájecí kabel musí dosáhnout do zásuvky.
- 2** Pomocí přiložených šroubů připevněte montážní držák k oběma stranám přepínače (viz následující obrázek).

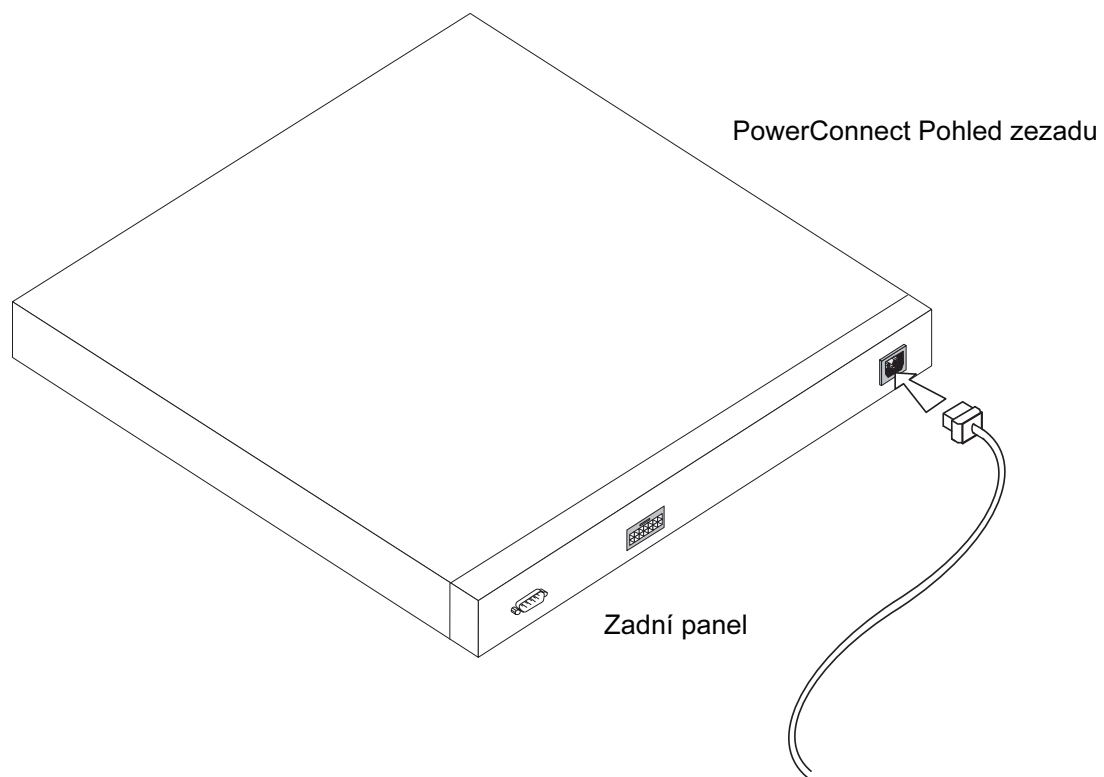
**Obr. 2-2. Instalace držáku při montáži na zeď**



### **Připojení zařízení ke zdroji napájení**

- 1** Připojte přiložený napájecí kabel k napájecímu konektoru na zadní straně.
- 2** V tomto okamžiku napájecí kabel nepřipojujte do uzemněné zásuvky střídavého elektrického proudu. Zařízení připojte ke zdroji napájení až v krocích popsanych podrobně v kapitole Spuštění a konfigurace zařízení.

**Obr. 2-3. Připojení ke zdroji napájení**





- 3** Zkontrolujte podle kontrolky na čelním panelu, zda je zařízení připojeno a pracuje správně.



## Spuštění a konfigurace zařízení

Po dokončení všech vnějších propojení připojte k zařízení terminál, abyste zařízení mohli konfigurovat. Použití dalších pokročilých funkcí je popsáno v *Uživatelské příručce pro Dell™ PowerConnect™ 5400* na disku CD s dokumentací.

 **POZNÁMKA:** Předtím, než budete pokračovat, si prosím přečtěte informace k tomuto produktu. Poznámky k verzi jsou k dispozici ke stažení na stránce <http://support.dell.com>.

 **POZNÁMKA:** Doporučujeme, abyste si opatřili poslední revizi uživatelské dokumentace z webových stránek podpory společnosti Dell na adrese <http://support.dell.com>.

### Připojení terminálu k zařízení

Zařízení disponuje portem pro konzolu, který umožňuje připojení k terminálovému stolnímu systému, na kterém běží emulace terminálu, pro monitorování a konfiguraci zařízení. Konektor portu pro konzolu je samčí konektor DB-9, implementovaný jako konektor zařízení pro datový terminál (DTE).

Pro použití portu pro konzolu je požadováno následující:

- Terminál kompatibilní s VT100 nebo stolní či přenosný systém se sériovým portem a spuštěným softwarem pro emulaci terminálu VT100.
- Přechodový kabel RS-232 se samičím konektorem DB-9 pro port pro konzolu a příslušný konektor pro terminál

Pro připojení terminálu do portu pro koncovky proveďte následující:

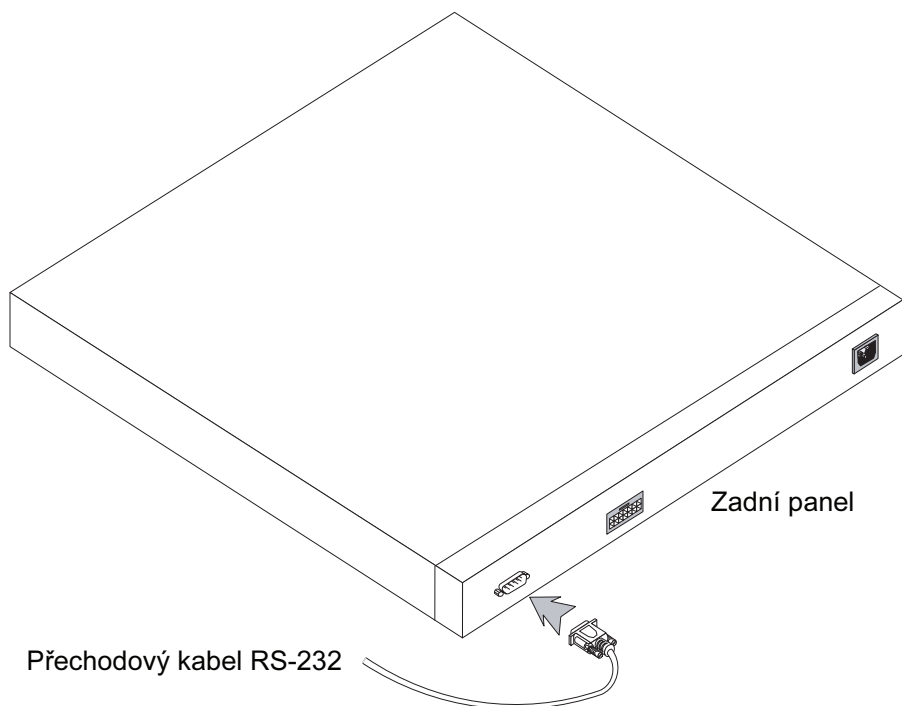
- 1 Zapojte přiložený přechodový kabel RS-232 do terminálu, na kterém běží software pro emulaci terminálu VT100.
- 2 Ujistěte se, že software pro emulaci terminálu je nastaven následujícím způsobem:
  - a Zvolte příslušný sériový port (sériový port 1 nebo sériový port 2) pro připojení ke konzole.
  - b Rychlost přenosu dat nastavte na 9600 baudů.
  - c Formát dat nastavte na 8 datových bitů, 1 stop bit a žádnou paritu.

- d Nastavte kontrolu toku na žádnou.
- e Ve Vlastnostech zvolte VT100 pro mód emulace.
- f Zvolte terminálové klávesy pro funkční klávesy, klávesy se šipkami a klávesu Ctrl. Ujistěte se, že nastavení je pro terminálové klávesy (a ne na klávesy systému Windows).

**➔ UPOZORNĚNÍ:** Pokud používáte HyperTerminal se systémem Microsoft® Windows 2000, Windows XP nebo Windows Vista™, zkontrolujte, zda jste nainstalovali nejnovější aktualizace Service Pack. V systému Windows 2000 s aktualizací Service Pack 2 pracují kurzorové klávesy v rámci emulace VT100 Hyperterminálu správně. Informace o aktualizacích Service Pack pro systémy Windows 2000, Windows XP a Windows Vista najdete na serveru [www.microsoft.com](http://www.microsoft.com).

- 3 Připojte samičí konektor přechodového kabelu RS-232 přímo ke konzolovému portu jednotky Master/samostatného zařízení a utáhněte fixovací šroubky. Konzolový port se u zařízení řady PowerConnect 5400 nachází na zadním panelu.

**Obr. 3-1. Připojení ke konzolovému portu zařízení PowerConnect 5400 Series**



## Bootování přepínače

Při spuštění přepínače postupujte následovně:

- 1 Ujistěte se, že konzolový port zařízení je připojen do terminálového zařízení VT100 nebo k emulátoru terminálu VT100 pomocí přechodového kabelu RS-232.
- 2 Lokalizujte elektrickou zásuvku střídavého napětí.
- 3 Deaktivujte elektrickou zásuvku střídavého napětí.
- 4 Připojte zařízení do zásuvky.
- 5 Aktivujte elektrickou zásuvku střídavého napětí.

Když je zapnuto napájení a je již připojen lokální terminál, přepínač provede automatický test při zapnutí (POST). POST proběhne vždy, když je zařízení inicializováno a provede kontrolu hardwarových komponent, aby před úplným spuštěním zařízení zjistil, zda je plně provozuschopné. Pokud je detekován kritický problém, běh programu se zastaví. Jestliže test POST proběhne úspěšně, nahraje se platný spustitelný obraz do paměti RAM. Zprávy testu POST se zobrazují na terminálu a oznamují, zda test proběhl úspěšně či neúspěšně.

Bootovací proces trvá přibližně 90 sekund.

## Počáteční konfigurace



**POZNÁMKA:** Předtím, než budete pokračovat, si prosím přečtěte informace k tomuto produktu. Tyto poznámky k verzi lze stáhnout z webové stránky technické podpory společnosti Dell na adrese <http://support.dell.com>.



**POZNÁMKA:** Počáteční jednoduchá konfigurace vychází z následujících předpokladů:

- Zařízení PowerConnect nebylo nikdy předtím konfigurováno a je ve stejném stavu v jakém jste jej obdrželi.
- Zařízení PowerConnect úspěšně nabootovalo.
- Je navázáno konzolové spojení a na obrazovce terminálu VT100 je zobrazena příkazový řádek konzoly. (Stiskněte několikrát klávesu <Enter>, abyste se ujistili, že se příkazový řádek zobrazuje správně.)

Počáteční konfigurace zařízení se provádí přes sériový port. Po počáteční konfiguraci lze zařízení ovládat buď přes již připojený sériový port nebo dálkově přes rozhraní definované při počáteční konfiguraci.

Když se zavádí systém poprvé nebo je konfigurační soubor prázdný, protože zařízení není nakonfigurováno, systém vás vyzve k použití Průvodce nastavením. Průvodce nastavením poskytuje rady pro počáteční konfiguraci zařízení a co nejrychleji zprostředkuje jeho spuštění a provoz.



**POZNÁMKA:** Před konfigurováním zařízení od správce sítě získajte následující informace:

- Řetězec SNMP Community String a adresu IP SNMP Management System (volitelné).
- Uživatelské jméno a heslo.
- Adresu IP, která má být přiřazena rozhraní VLAN 1, jehož prostřednictvím má být zařízení spravováno (implicitně je každý externí a interní port členem VLAN 1).
- Síťovou masku IP pro síť.
- Adresu IP implicitní brány (vedlejší směrovač hop) pro konfiguraci implicitní trasy.

Průvodce nastavením vás provede počáteční konfigurací přepínače a co nejrychleji zajistí jeho spuštění a provoz. Průvodce nastavením lze vynechat a nakonfigurovat přepínač ručně pomocí režimu zařízení CLI. V *Uživatelské příručce pro zařízení PowerConnect 5400 Series* naleznete pomoc pro konfiguraci zařízení pomocí CLI.

Průvodce nastavením konfiguruje následující pole.

- Řetězec SNMP Community String a adresa IP SNMP Management System (volitelné)
- Uživatelské jméno a heslo
- IP adresa zařízení
- Síťová maska IP
- IP adresa výchozí brány

Průvodce nastavením zobrazuje následující informace:

```
Welcome to Dell Easy Setup Wizard
```

```
The Setup Wizard guides you through the initial switch configuration,
and gets you up and running easily and quickly. You can also skip the
setup wizard, and enter CLI mode to manually configure the switch
if you prefer. You can exit the setup wizard any time by entering
{CNTRL+Z}. The system will prompt you with a default answer.
By pressing Enter, you accept the default value.
```

```
Would you like to skip the setup wizard? [Y/N] N
```

Zadáte-li [A], průvodce nastavením se ukončí. Nezareagujete-li do 60 sekund, průvodce nastavením se automaticky ukončí a zobrazí se příkazový řádek konzoly CLI.

Zadáte-li [N], průvodce nastavením poskytne interaktivní pomoc pro počáteční konfiguraci zařízení.



**POZNÁMKA:** Průvodce nastavením lze kdykoli opustit zadáním (CNTRL+Z).



**POZNÁMKA:** Neodpovíte-li do 60 sekund, průvodce nastavením se automaticky ukončí. Nebudou uloženy žádné provedené změny.

## Průvodce - krok 1

Zobrazí se následující informace:

```
The system is not setup for SNMP management by default. To manage the
switch using SNMP (required for Dell Network Manager) you can:
```

- Setup the initial SNMP version 2 account now.
- Return later and setup the SNMP version account. (For more information on setting up a SNMP version 2 account, see the user documentation).

```
Would you like to setup the SNMP management interface now? [Y/N] Y
```

Zadáním (N) přejděte ke Kroku 2.

Zadáním (A) pokračujte v průvodci nastavením. Zobrazí se následující informace:

```
To setup the SNMP management account you must specify the management
system IP address and the "community string" or password that the
particular management system uses to access the switch. The wizard
automatically assigns the highest access level [Privilege Level 15]
to this account. You can use Dell Network Manager or other management
interfaces to change this setting later, and to add additional
management system later. For more information on adding management
systems, see the user documentation.
```

To add a management station:

```
Please enter the SNMP community string to be used:[MYSETUPWIZARD] >>
Dell Network Manager
```

Zadejte IP adresu systému správy (A.B.C.D) nebo zástupný znak (0.0.0.0), pokud chcete spravovat z libovolné stanice správy; např. 192.168.1.10. Stiskněte klávesu **Enter**.

## Průvodce - krok 2

Zobrazí se následující informace:

```
Now we need to setup your initial privilege (Level 15) user account.
This account is used to login to the CLI and Web interface. You may
setup other accounts and change privilege levels later. For more
information on setting up user accounts and changing privilege
levels, see the user documentation.
```

To setup a user account:

Please enter the user name:

Please enter the user password:

Please reenter the user password:

Zadejte následující:

- Uživatelské jméno, např. "admin"
- Heslo a potvrzení hesla.



**POZNÁMKA:** Pokud nejsou obě zadaná hesla totožná, systém vás upozorní.

Stiskněte klávesu **Enter**.

### Průvodce - krok 3

Zobrazí se následující informace:

```
Next, an IP address is setup. The IP address is defined on the
default VLAN (VLAN #1), of which all ports are members. This is the
IP address you use to access the CLI, Web interface, or SNMP
interface for the switch.
```

To setup an IP address:

```
Please enter the IP address of the device (A.B.C.D):
```

```
Please enter the IP subnet mask (A.B.C.D or /nn):
```

Zadejte IP adresu a síťovou masku IP, např. 192.168.1.100 jako IP adresu a 255.255.255.0 jako síťovou masku IP.

Stiskněte klávesu **Enter**.

### Průvodce - krok 4

Zobrazí se následující informace:

```
Finally, setup the default gateway. Please enter the IP address
of the gateway from which this network is reachable
(e.g. 192.168.1.1):
```

Zadejte výchozí bránu.

Stiskněte klávesu **Enter**. Zobrazí se následující informace (dle parametrů popsaného příkladu):

```
This is the configuration information that has been collected:
```

```
SNMP Interface = "Dell Network Manager"@192.168.1.10
```

```
User Account setup = admin
```

```
Password = *****
```

```
Management IP address = 192.168.1.100 255.255.255.0
```

```
Default Gateway = 192.168.1.1
```

## **Průvodce - krok 5**

Zobrazí se následující informace:

```
If the information is correct, please select (Y) to save the
configuration, and copy to the start-up configuration file. If the
information is incorrect, select (N) to discard configuration and
restart the wizard: [Y/N]
```

Zadáním (N) restartujte průvodce.

Zadáním (A) dokončete průvodce nastavením. Zobrazí se následující informace:

```
Thank you for using Dell Easy Setup Wizard. You will now enter CLI
mode.
```

## **Průvodce - krok 6**




Zobrazí se výzva CLI. Další informace naleznete v *Uživatelské příručce pro zařízení PowerConnect 5400 Series*.





Systemes Dell™  
PowerConnect™ 54xx  
**Guide de mise en route**

## Remarques, avis et précautions

-  **REMARQUE** : Une REMARQUE indique des informations importantes qui peuvent vous aider à mieux utiliser le périphérique.
-  **AVIS** : Un AVIS vous avertit d'un risque de dommage matériel ou de perte de données et vous indique comment éviter le problème.
-  **PRÉCAUTION** : Une PRÉCAUTION indique un risque potentiel d'endommagement du matériel, de blessure corporelle ou de mort.

---

Les informations contenues dans ce document peuvent être modifiées sans préavis.

© 2007 Dell Inc. Tous droits réservés.

La reproduction de ce document de quelque manière que ce soit sans l'autorisation écrite de Dell Inc. est strictement interdite.

Marques utilisées dans ce document : *Dell, Dell OpenManage*, le logo *DELL*, *Inspiron, Dell Precision, Dimension, OptiPlex, PowerConnect, PowerApp, PowerVault, Axim, DellNet* et *Latitude* sont des marques de Dell Inc. ; *Microsoft, Windows, Windows Server* et *Windows Vista* sont des marques ou des marques déposées de Microsoft Corporation aux États-Unis et/ou dans d'autres pays.

D'autres marques et noms de marques peuvent être utilisés dans ce document pour faire référence aux entités se réclamant de ces marques et de ces noms ou à leurs produits. Dell Inc. dénie tout intérêt propriétaire vis-à-vis des marques et des noms de marque autres que les siens.

# Sommaire

<b>1</b>	<b>Installation</b>	
	Présentation .....	59
	Préparation du site .....	59
	Conditions requises pour le site d'installation.....	59
	Déballage .....	60
	Contenu du carton .....	60
	Déballage de l'unité .....	60
<b>2</b>	<b>Montage du périphérique</b>	
	Présentation .....	61
	Installation du périphérique dans un rack .....	61
	Installation sur une surface plane .....	62
	Montage mural .....	62
	Branchement de l'unité à un bloc d'alimentation .....	63
<b>3</b>	<b>Démarrage et configuration du périphérique</b>	
	Connexion du terminal au périphérique.....	65
	Démarrage du commutateur .....	67
	Configuration initiale .....	67



# Installation

## Présentation

Ce document contient des informations de base sur l'installation et l'utilisation des commutateurs PowerConnect de la série 5400. Pour obtenir des informations plus détaillées, consultez le document "Dell™ PowerConnect™ 5400 series User's Guide" (Dell™ PowerConnect™ série 5400 - Guide d'utilisation). Ce manuel est disponible sur votre CD de documentation. Vous pouvez également vous rendre sur le site [www.support.dell.com](http://www.support.dell.com) pour obtenir les dernières mises à jour concernant la documentation et les logiciels.

## Préparation du site

### Conditions requises pour le site d'installation

Les périphériques de la série Dell PowerConnect 5400 peuvent être montés dans un rack standard de 19 pouces (48,26 cm) ou posés sur une table. Avant d'installer l'unité, vérifiez que l'emplacement choisi pour l'installation satisfait aux conditions suivantes :

- **Alimentation** : l'unité doit être installée à proximité d'une prise facilement accessible de 100-250 VCA à 50-60 Hz. Il est préférable d'utiliser deux sources d'alimentation distinctes, par exemple un bloc d'alimentation redondant et un autre boîtier alimenté séparément.
- **Généralités** : vérifiez que le bloc d'alimentation est correctement installé en vous assurant que les voyants du panneau avant sont allumés.
- **Dégagement** : l'avant du commutateur doit être suffisamment dégagé pour qu'un opérateur puisse y accéder facilement. Prévoyez un dégagement pour le câblage, les connexions électriques et la ventilation.
- **Câblage** : les câbles doivent être acheminés de façon à éviter les sources de bruit électrique, telles que les émetteurs radioélectriques, les amplificateurs de diffusion, les lignes électriques et les luminaires pour lampes fluorescentes.
- **Conditions ambiantes** : la température ambiante doit être comprise entre 0 et 45° C (32 à 113° F), avec une humidité relative maximale de 10 à 90%, sans condensation.

# Déballage

## Contenu du carton

Lors du déballage du périphérique, vérifiez que le carton contient les éléments suivants :

- Périphérique/Commutateur
- Câble d'alimentation en CA
- Câble croisé RS-232
- Patins adhésifs en caoutchouc
- Kit de montage pour une installation en rack
- CD de documentation

## Déballage de l'unité



**REMARQUE** : Avant de déballer l'unité, examinez le carton d'emballage et signalez immédiatement tout dommage apparent.

- 1** Posez le carton sur une surface plane et propre et coupez toutes les sangles d'attache.
- 2** Ouvrez le carton ou retirez le couvercle.
- 3** Retirez l'unité du carton avec précaution et posez-la sur une surface propre et stable.
- 4** Retirez tout le matériel d'emballage.
- 5** Examinez le produit pour vous assurer qu'il n'est pas endommagé. Signalez immédiatement tout dommage constaté.

# Montage du périphérique

## Présentation

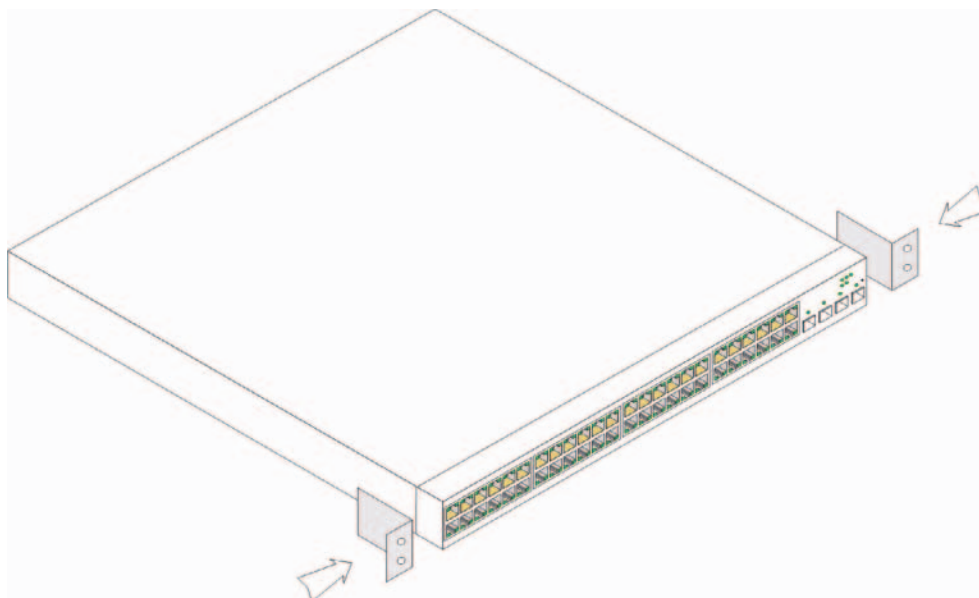
Les instructions de montage ci-après s'appliquent aux commutateurs PowerConnect de la série 5400. Les connecteurs d'alimentation se trouvent sur le panneau arrière du périphérique. La connexion d'un bloc d'alimentation redondant est facultative, mais recommandée. Le connecteur de bloc d'alimentation redondant se trouve également sur le panneau arrière.

## Installation du périphérique dans un rack

- ⚠ PRÉCAUTION : Prenez connaissance des consignes de sécurité figurant dans le document "Product Information Guide" (Guide d'informations sur le produit), ainsi que des informations similaires concernant les autres appareils connectés au commutateur.**
- ⚠ PRÉCAUTION : Déconnectez tous les câbles avant de monter l'unité dans un rack ou une armoire.**
- ⚠ PRÉCAUTION : Si vous installez plusieurs périphériques dans un rack, commencez par les emplacements du bas et continuez en remontant vers le haut du rack.**

- 1 Placez l'une des pattes de montage fournies sur un côté du périphérique, en alignant les orifices des deux éléments. L'illustration suivante indique l'emplacement où les pattes doivent être placées.

Figure 2-1. Installation des pattes de fixation pour un montage en rack



- 2** Insérez les vis fournies dans les orifices et serrez-les à l'aide d'un tournevis.
- 3** Répétez l'opération de l'autre côté du périphérique.
- 4** Insérez l'unité dans le rack 19 pouces (48,26 centimètres) en veillant à ce que ses orifices de montage soient bien alignés sur ceux du rack.
- 5** Fixez ensuite l'unité sur le rack à l'aide des vis appropriées (non fournies). Vous devez fixer les deux vis du bas avant celles du haut. Vérifiez que les entrées d'air ne sont pas obstruées.

### **Installation sur une surface plane**

Le périphérique doit être installé sur une surface plane s'il n'est pas installé dans un rack. La surface choisie doit pouvoir supporter le poids de l'appareil et de ses câbles.

- 1** Fixez les pieds en caoutchouc sur les emplacements indiqués, sous le châssis du périphérique.
- 2** Posez le périphérique sur une surface plane, en laissant un espace d'au moins 5 cm (2 pouces) de chaque côté et de 13 cm (5 pouces) à l'arrière.
- 3** Assurez-vous que le périphérique est suffisamment ventilé.

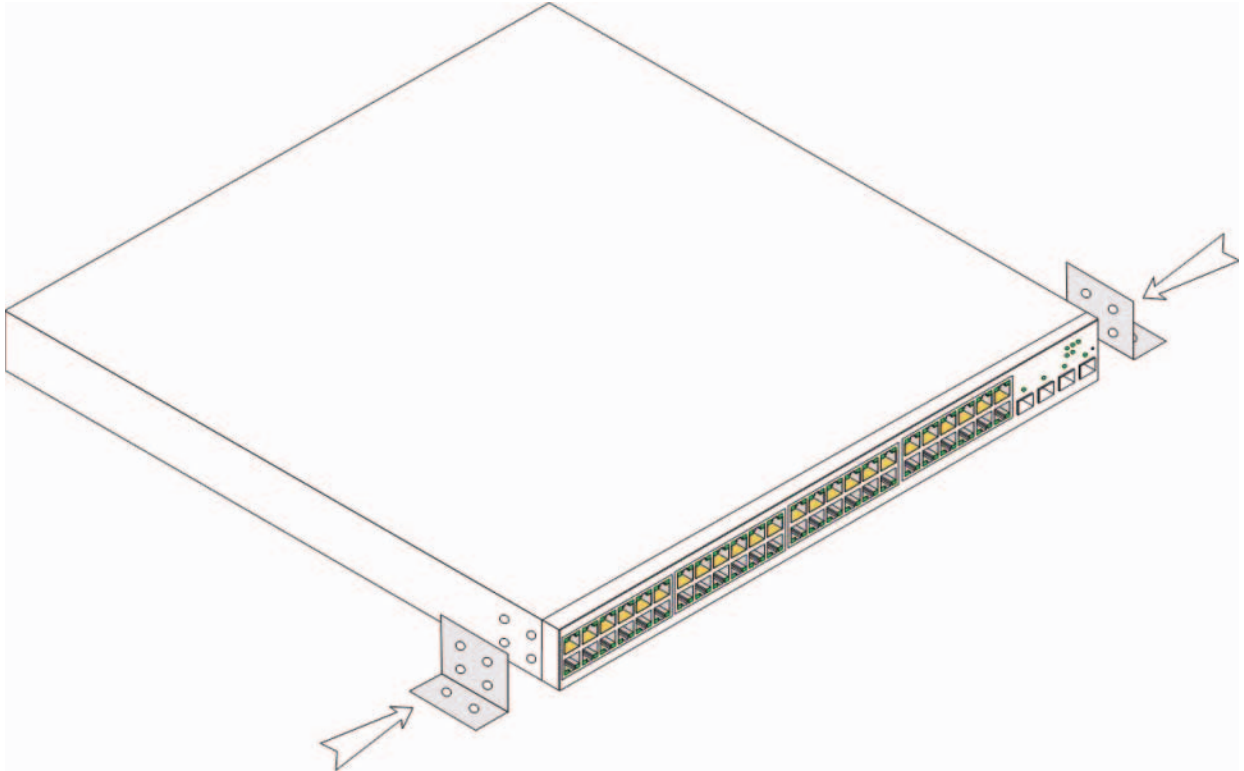
### **Montage mural**

Pour fixer le commutateur sur un mur, procédez comme suit :

- 1** Assurez-vous que l'emplacement de montage répond aux caractéristiques suivantes :
  - La surface du mur doit pouvoir supporter le poids du commutateur.
  - Laissez un espace d'au moins 5 cm (2 pouces) de chaque côté pour une ventilation correcte et 13 cm (5 pouces) à l'arrière pour le câble d'alimentation.
  - L'emplacement ne doit pas être exposé directement à la lumière du soleil.
  - Les orifices de ventilation des systèmes de chauffage doivent se trouver à plus de 70 cm de l'emplacement choisi. Les sorties d'air de ces systèmes ne doivent jamais être dirigées vers l'unité.
  - Il est également important de veiller à une ventilation correcte afin d'éviter toute surchauffe.
  - Ne placez jamais le commutateur près d'un endroit où des câbles de données ou d'alimentation sont rassemblés.
  - Le câble d'alimentation doit pouvoir être directement branché sur une prise.
- 2** Utilisez les vis fournies pour fixer une patte de montage de chaque côté du commutateur (voir la figure suivante).



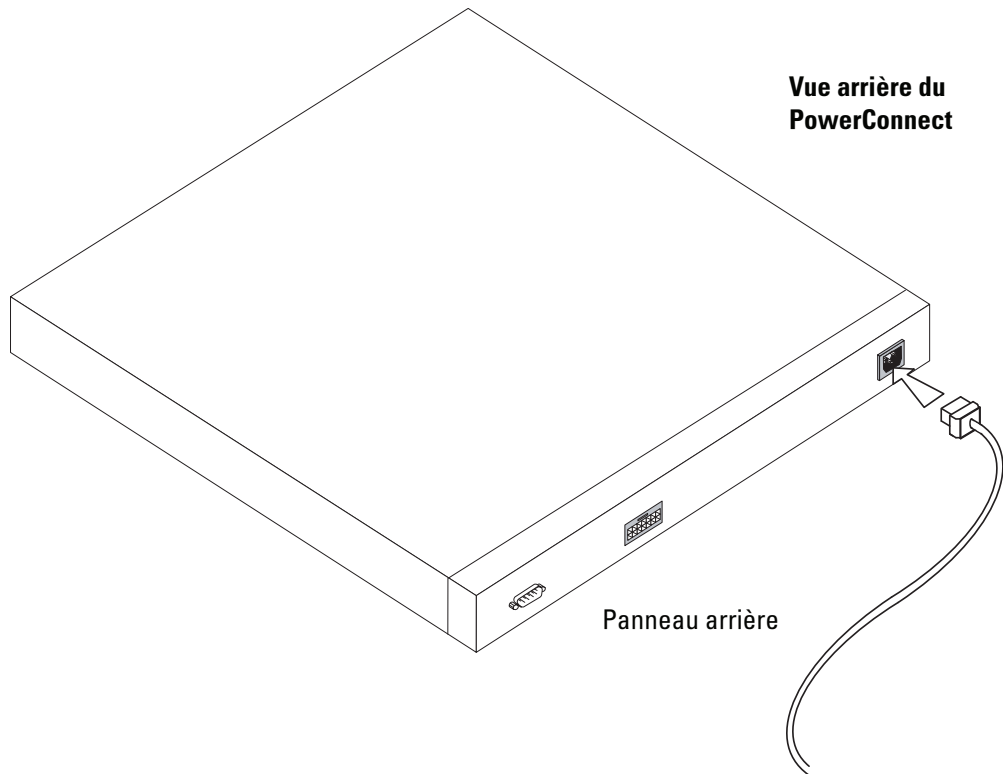
**Figure 2-2. Installation des pattes de fixation pour un montage mural**



### **Branchement de l'unité à un bloc d'alimentation**

- 1** Branchez le câble d'alimentation en CA qui vous a été fourni sur le connecteur approprié du panneau arrière.
- 2** À ce stade, ne branchez pas encore le câble d'alimentation sur une prise mise à la terre. Vous effectuerez ce branchement lorsque vous parviendrez à la section “Démarrage et configuration de l'unité”.

**Figure 2-3. Branchement à un bloc d'alimentation**



- 3** Observez les voyants du panneau avant pour vérifier que le périphérique est connecté et fonctionne correctement.

## Démarrage et configuration du périphérique

Une fois toutes les connexions externes mises en place, connectez un terminal au périphérique afin de procéder à sa configuration. Les fonctions avancées supplémentaires disponibles sont décrites dans le document *Dell™ PowerConnect™ 5400 User's Guide* (Dell™ PowerConnect™ 5400 - Guide d'utilisation). Ce manuel se trouve sur le CD de documentation.

 **REMARQUE** : Avant de continuer, lisez les notes d'édition concernant ce produit. Vous pouvez les télécharger à partir du site <http://support.dell.com>.

 **REMARQUE** : Nous vous recommandons de vous procurer la version la plus récente de la documentation utilisateur disponible sur le site <http://support.dell.com>.

### Connexion du terminal au périphérique

Le périphérique est équipé d'un port de console qui permet de le connecter à un terminal ou à un système exécutant un logiciel d'émulation de terminal afin de contrôler son fonctionnement et de procéder à sa configuration. Le port de console est un connecteur DB-9 configuré en tant que connecteur DTE (data terminal equipment, équipement de terminal de données).

Pour utiliser le port de console, vous devez disposer des équipements suivants :

- Terminal compatible VT100, ou bien ordinateur (de bureau ou portable) équipé d'un port série et exécutant un logiciel d'émulation de terminal VT100
- Câble croisé RS-232 avec un connecteur DB-9 femelle pour le branchement sur le port de console, et un autre connecteur du format approprié pour le branchement sur le terminal

Pour connecter un terminal au port de console de l'unité, procédez comme suit :

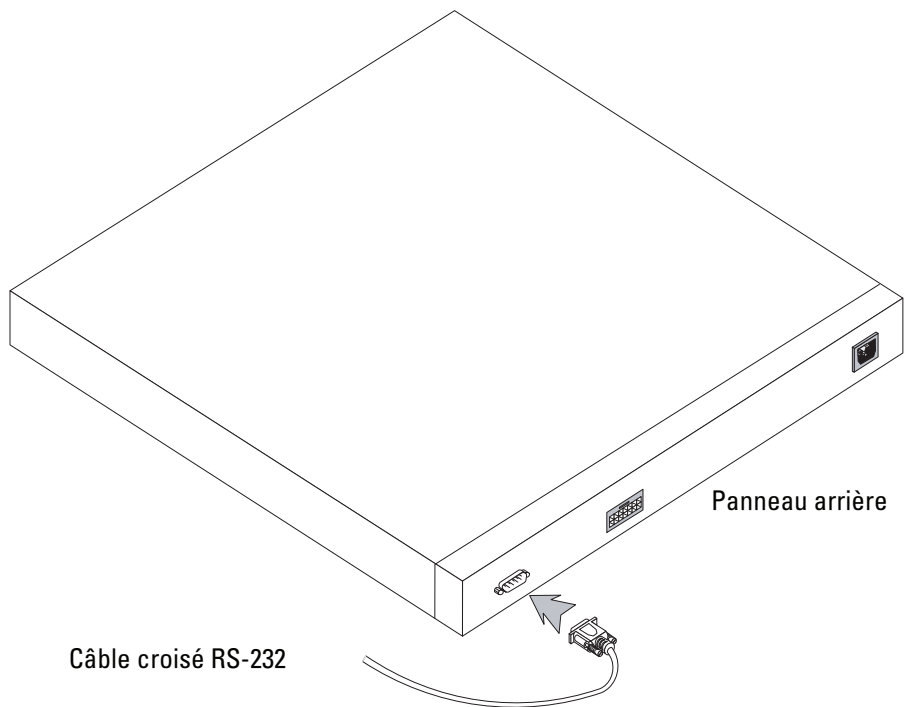
- 1** Connectez le câble croisé RS-232 (fourni) au terminal exécutant le logiciel d'émulation VT100.
- 2** Configurez le logiciel d'émulation de terminal comme suit :
  - a** Sélectionnez le port série approprié (1 ou 2) pour la connexion à la console.
  - b** Réglez le débit de données sur 9600 bauds.
  - c** Définissez le format de données sur 8 bits de données, 1 bit d'arrêt et aucune parité.

- d Définissez le contrôle de flux sur “none” (aucun).
- e Sous “Propriétés”, sélectionnez le mode “VT100 pour émulation”.
- f Choisissez l'option “Touches de terminal” dans le champ “Les touches de fonction, de direction et Ctrl agissent en tant que”. Vérifiez que le paramétrage correspond bien à “Touches de terminal” et non à “Touches Windows”.

**➔ AVIS :** Si vous utilisez HyperTerminal avec Microsoft® Windows 2000, Windows XP ou Windows Vista™, assurez-vous que les service packs les plus récents sont installés. Le service pack 2 de Windows 2000 permet aux touches fléchées de fonctionner correctement dans l'émulation VT100 d'HyperTerminal. Rendez-vous sur le site [www.microsoft.com](http://www.microsoft.com) pour plus d'informations sur les services packs de Windows 2000, Windows XP et Windows Vista.

- 3 Enfichez le connecteur femelle du câble croisé RS-232 directement dans le port de console du périphérique maître/autonome, puis serrez les vis imperdables. Sur les unités PowerConnect de la série 5400, le port de console se trouve sur le panneau arrière.

**Figure 3-1. Connexion au port de console d'un PowerConnect série 5400**



## Démarrage du commutateur

Pour démarrer le commutateur, procédez comme suit :

- 1 Assurez-vous que le port de console du périphérique est connecté à un terminal VT100 ou à un émulateur de terminal VT100 via le câble croisé RS-232.
- 2 Choisissez la prise secteur à utiliser.
- 3 Coupez l'alimentation de cette prise.
- 4 Branchez le périphérique sur cette prise.
- 5 Remettez la prise sous tension.

Lorsque le commutateur est mis sous tension alors que le terminal local est déjà connecté, il effectue un auto-test de démarrage (POST). Ce test s'exécute à chaque initialisation du périphérique ; il passe les composants en revue pour vérifier que l'unité est opérationnelle avant que le démarrage ne soit totalement effectif. Si un incident critique est détecté, l'exécution du programme s'arrête. Si l'auto-test de démarrage se déroule sans incident, une image exécutable valide est chargée dans la mémoire vive. Les messages générés par l'auto-test sont affichés sur le terminal ; ils indiquent si le test a abouti ou non. Le processus d'amorçage dure environ 90 secondes.

## Configuration initiale



**REMARQUE** : Avant de continuer, lisez les notes d'édition concernant ce produit. Vous pouvez les télécharger à partir du site <http://support.dell.com>.



**REMARQUE** : La configuration initiale de base décrite est basée sur les hypothèses suivantes :

- Le PowerConnect n'a jamais été configuré auparavant et n'a pas été modifié depuis que vous l'avez reçu.
- Le PowerConnect a démarré correctement.
- La connexion à une console est établie et l'invite de la console est affichée sur l'écran d'un terminal VT100. (Appuyez sur <Entrée> plusieurs fois pour vérifier que l'invite s'affiche correctement.)

La configuration initiale du périphérique est effectuée à l'aide du port série. Une fois cette première étape effectuée, le périphérique peut être géré soit à partir du port série déjà connecté, soit à distance via une interface définie lors de la configuration initiale.

Le système vous invite à utiliser l'assistant d'installation (Set-up Wizard) lorsque l'unité démarre pour la première fois ou lorsqu'elle n'est pas configurée (fichier de configuration vide). L'assistant d'installation vous aide à effectuer la configuration initiale du périphérique pour que celui-ci soit opérationnel dans les plus brefs délais.



**REMARQUE** : Demandez les informations suivantes à votre administrateur réseau avant de configurer le périphérique :

- Adresse IP de la chaîne de communauté et du système de gestion SNMP (facultatif)
- Nom d'utilisateur et mot de passe
- Adresse IP à attribuer à l'interface du VLAN 1 utilisé pour la gestion du périphérique. Par défaut, tous les ports internes et externes sont membres du VLAN 1.
- Masque de sous-réseau IP
- Adresse IP de la passerelle par défaut (routeur suivant) permettant de configurer la route par défaut

L'assistant d'installation vous permet de rendre le commutateur rapidement opérationnel. Vous n'êtes cependant pas obligé de l'utiliser ; vous pouvez configurer le commutateur manuellement à l'aide de l'interface de ligne de commande (mode CLI). Reportez-vous au document *PowerConnect 5400 Series User's Guide* (PowerConnect série 5400 - Guide d'utilisation) pour plus d'informations sur les procédures permettant de configurer l'unité à l'aide de l'interface CLI.

L'assistant permet de configurer les paramètres suivants :

- Adresse IP de la chaîne de communauté et du système de gestion SNMP (facultatif)
- Nom d'utilisateur et mot de passe
- Adresse IP de l'unité
- Masque de sous-réseau IP
- Adresse IP de la passerelle par défaut

L'assistant affiche les informations suivantes :

```
Welcome to Dell Easy Setup Wizard
```

```
The Setup Wizard guides you through the initial switch configuration,
and gets you up and running easily and quickly. You can also skip the
setup wizard, and enter CLI mode to manually configure the switch
if you prefer. You can exit the setup wizard any time by entering
{CTRL+Z}. The system will prompt you with a default answer.
```

```
By pressing Enter, you accept the default value.
```

```
Would you like to skip the setup wizard? [Y/N] N
```

Si vous entrez [Y], l'assistant se ferme. Si vous ne répondez pas dans un délai de 60 secondes, il disparaît automatiquement et l'invite CLI s'affiche.

Si vous entrez [N], l'assistant d'installation vous guide lors de la procédure de configuration initiale de l'unité.



**REMARQUE** : Vous pouvez quitter l'assistant à tout moment en appuyant sur [CTRL+Z].



**REMARQUE** : Si vous ne répondez pas dans un délai de 60 secondes, l'assistant se ferme automatiquement. Dans ce cas, aucune modification n'est sauvegardée.

## Assistant - Étape 1

Les informations suivantes s'affichent :

The system is not setup for SNMP management by default. To manage the switch using SNMP (required for Dell Network Manager) you can:

- Setup the initial SNMP version 2 account now.
- Return later and setup the SNMP version account. (For more information on setting up a SNMP version 2 account, see the user documentation).

Would you like to setup the SNMP management interface now? [Y/N] Y

Entrez [N] pour passer à l'étape 2.

Entrez [Y] pour continuer à utiliser l'assistant. Les informations suivantes s'affichent :

To setup the SNMP management account you must specify the management system IP address and the "community string" or password that the particular management system uses to access the switch. The wizard automatically assigns the highest access level [Privilege Level 15] to this account. You can use Dell Network Manager or other management interfaces to change this setting later, and to add additional management system later. For more information on adding management systems, see the user documentation.

To add a management station:

Please enter the SNMP community string to be used:[MYSETUPWIZARD] >>  
Dell Network Manager

Entrez l'adresse IP du système de gestion (A.B.C.D) ou un masque générique (0.0.0.0) pour pouvoir assurer le contrôle de l'unité à partir de toute station de gestion, par exemple 192.168.1.10. Appuyez sur **Entrée**.

## Assistant - Étape 2

Les informations suivantes s'affichent :

Now we need to setup your initial privilege (Level 15) user account. This account is used to login to the CLI and Web interface. You may setup other accounts and change privilege levels later. For more information on setting up user accounts and changing privilege levels, see the user documentation.

To setup a user account:

Please enter the user name:

Please enter the user password:

Please reenter the user password:

Entrez les informations suivantes :

- Nom d'utilisateur (ex : "admin")
- Mot de passe et confirmation



**REMARQUE** : Si le premier et le second mot de passe entrés ne sont pas identiques, le système affiche une invite.

Appuyez sur **Entrée**.

### Assistant - Étape 3

Les informations suivantes s'affichent :

```
Next, an IP address is setup. The IP address is defined on the
default VLAN (VLAN #1), of which all ports are members. This is
the IP address you use to access the CLI, Web interface, or SNMP
interface for the switch.
```

```
To setup an IP address:
```

```
Please enter the IP address of the device (A.B.C.D):
```

```
Please enter the IP subnet mask (A.B.C.D or /nn):
```

Entrez l'adresse IP et le masque de sous-réseau IP (par exemple, respectivement 192.168.1.100 et 255.255.255.0).

Appuyez sur **Entrée**.

### Assistant - Étape 4

Les informations suivantes s'affichent :

```
Finally, setup the default gateway. Please enter the IP address
of the gateway from which this network is reachable
(e.g. 192.168.1.1):
```

Entrez la passerelle par défaut.

Appuyez sur **Entrée**. Les informations suivantes s'affichent (selon les paramètres de l'exemple ci-dessus) :

```
This is the configuration information that has been collected:
```

```
SNMP Interface = "Dell Network Manager"@192.168.1.10
```

```
User Account setup = admin
```

```
Password = *****
```

```
Management IP address = 192.168.1.100 255.255.255.0
```

```
Default Gateway = 192.168.1.1
```



## **Assistant - Étape 5**

Les informations suivantes s'affichent :

```
If the information is correct, please select (Y) to save the
configuration, and copy to the start-up configuration file. If the
information is incorrect, select (N) to discard configuration and
restart the wizard: [Y/N]
```

Entrez [N] pour redémarrer l'assistant sans sauvegarder.

Entrez [Y] pour terminer l'exécution de l'assistant. Le message suivant s'affiche :

```
Thank you for using Dell Easy Setup Wizard. You will now enter CLI
mode.
```

## **Assistant - Étape 6**

L'invite CLI s'affiche. Pour plus d'informations, reportez-vous au document *PowerConnect 5400 Series User's Guide* (PowerConnect série 5400 - Guide d'utilisation).



Dell™ PowerConnect™ 54XX-  
Systeme

**Handbuch zum Einstieg**

## Anmerkungen, Hinweise und Vorsichtshinweise



**ANMERKUNG:** Eine ANMERKUNG macht auf wichtige Informationen aufmerksam, die Ihnen die Arbeit mit dem Computer erleichtern.



**HINWEIS:** Ein HINWEIS zeigt entweder potenziellen Schaden an der Hardware oder Verlust von Daten an und zeigt Ihnen, wie man das Problem vermeidet.



**VORSICHT:** Hiermit werden Sie auf eine potentiell gefährliche Situation hingewiesen, die zu Sachschäden, Verletzungen oder zum Tod von Menschen führen könnte.

---

**Irrtümer und technische Änderungen vorbehalten.**

**© 2007 Dell Inc. Alle Rechte vorbehalten.**

Die Vervielfältigung oder Wiedergabe in jeglicher Weise ohne vorherige schriftliche Genehmigung von Dell Inc. sind strengstens untersagt.

In diesem Text verwendete Marken: *Dell*, *Dell OpenManage*, das *DELL* Logo, *Inspiron*, *Dell Precision*, *Dimension*, *OptiPlex*, *PowerConnect*, *PowerApp*, *PowerVault*, *Axim*, *DellNet* und *Latitude* sind Marken von Dell Inc. *Microsoft*, *Windows*, *Windows Server* und *Windows Vista* sind eingetragene Marken von Microsoft Corporation in den USA und/oder anderen Ländern.

Alle anderen in dieser Dokumentation genannten Marken und Handelsbezeichnungen sind Eigentum der jeweiligen Hersteller und Firmen. Dell Inc. erhebt keinen Anspruch auf Besitzrechte an Marken und Handelsbezeichnungen mit Ausnahme der eigenen.

# Inhalt

<b>1</b>	<b>Installation</b>	
	Übersicht.....	77
	Standortvorbereitung .....	77
	Standortvoraussetzungen.....	77
	Auspacken .....	78
	Inhalt der Verpackung.....	78
	Auspacken des Geräts.....	78
<b>2</b>	<b>Montage des Geräts</b>	
	Übersicht.....	79
	Rackmontage des Gerätes .....	79
	Installation auf einer ebenen Fläche.....	80
	Wandmontage.....	80
	Verbinden des Gerätes mit dem Netzteil .....	81
<b>3</b>	<b>Starten und Konfigurieren des Gerätes</b>	
	Verbinden eines Terminals mit dem Gerät.....	83
	Starten des Switches .....	85
	Erstkonfiguration .....	85



# Installation

## Übersicht

Dieses Dokument enthält grundlegende Informationen zur Installation und Inbetriebnahme von Switches der Reihe PowerConnect 5400. Weitere Informationen finden Sie im Benutzerhandbuch für die Dell™ PowerConnect™ 5400-Reihe auf der Dokumentations-CD. Aktuelle Updates von Dokumentation und Software erhalten Sie auf der Dell Support-Website unter [support.dell.com](http://support.dell.com).

## Standortvorbereitung

### Standortvoraussetzungen

Geräte der Reihe PowerConnect 5400 können in einem Standard-19-Zoll-Rack oder als Tischinstallation montiert werden. Stellen Sie vor der Montage sicher, dass der ausgewählte Standort die unten beschriebenen Standortvoraussetzungen erfüllt.

- **Stromversorgung:** – Das Gerät sollte in der Nähe einer geerdeten, leicht zugänglichen Steckdose mit 100-250 V Wechselspannung und 50-60 Hz installiert werden. Es sollten vorzugsweise zwei separate Stromversorgungen vorhanden sein, beispielsweise eine redundante Stromversorgung und eine getrennte, phasengesteuerte Stromversorgung.
- **Allgemein** – Achten Sie darauf, dass das Gerät ordnungsgemäß mit Strom versorgt wird. Überprüfen Sie dazu, ob die entsprechenden LEDs an der Vorderseite leuchten.
- **Zugang** – Der Bediener sollte an der Vorderseite des Geräts ausreichend Bewegungsfreiheit haben. Auch Verkabelung, Stromanschlüsse und Belüftungsöffnungen sollten problemlos zugänglich sein.
- **Verkabelung** – Die Kabel sollten so verlegt sein, dass elektrisches Rauschen durch Funksender, Funkverstärker, Stromleitungen sowie fluoreszierende Beleuchtungskörper vermieden wird.
- **Umgebungsbedingungen** – Die Umgebungstemperatur des Geräts liegt zwischen 0 und 45 °C bei einer relativen Luftfeuchtigkeit von 10% - 90%, nicht kondensierend.

# Auspacken

## Inhalt der Verpackung

Die folgenden Komponenten sollten nach dem Auspacken des Geräts vorhanden sein:

- Gerät/Switch
- Netzstromkabel
- Gekreuztes RS-232-Kabel
- Selbsthaftende Gummiunterlagen
- Rack-Montage-Kit
- Dokumentations-CD

## Auspacken des Geräts



**ANMERKUNG:** Überprüfen Sie vor dem Auspacken des Geräts die Verpackung, und melden Sie unverzüglich mögliche Beschädigungen.

- 1** Stellen Sie das Paket auf eine saubere, ebene Fläche und zerschneiden Sie alle Befestigungsbänder.
- 2** Öffnen Sie die Verpackung, oder entfernen Sie die obere Abdeckung.
- 3** Nehmen Sie das Gerät vorsichtig aus der Verpackung, und stellen Sie es auf einer stabilen, sauberen Fläche ab.
- 4** Entfernen Sie das gesamte Verpackungsmaterial.
- 5** Untersuchen Sie das Produkt auf Beschädigungen. Schäden sollten unverzüglich gemeldet werden.



# Montage des Geräts

## Übersicht

Die folgenden Montageanweisungen beziehen sich auf Switches der Reihe PowerConnect 5400. Die Netzanschlüsse befinden sich bei beiden Geräten auf der Rückseite. Die Verbindung zu einer redundanten Stromversorgung (RPS) wird empfohlen, ist aber nicht erforderlich. Der Anschluss für die redundante Stromversorgung befindet sich auf der Rückseite des Geräts.

### Rackmontage des Gerätes

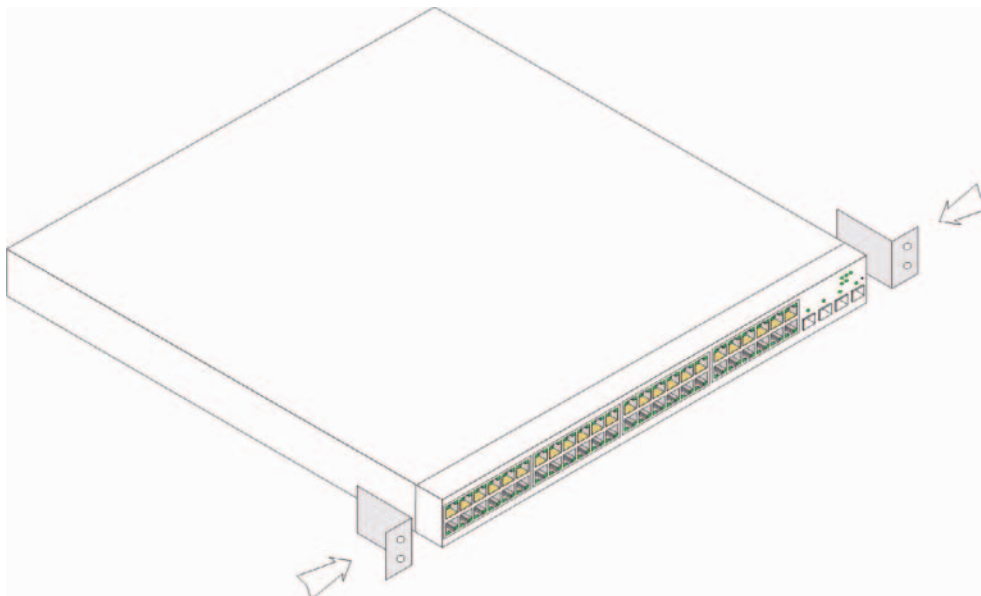
**⚠ VORSICHT:** Lesen Sie die Sicherheitshinweise im Produktinformationshandbuch und die Sicherheitshinweise für andere Geräte, die mit dem Switch verbunden werden oder diesen unterstützen.

**⚠ VORSICHT:** Trennen Sie alle Kabel vom Gerät, bevor Sie den PowerConnect-Switch in einem Rack oder einem Schrank montieren.

**⚠ VORSICHT:** Wenn Sie mehrere Geräte in einem Rack installieren, sollten Sie die Geräte von unten nach oben einsetzen.

- 1 Halten Sie die mitgelieferte Rackmontagehalterung an eine Seite des Geräts, wobei sich die Montagebohrungen am Gerät mit den Bohrungen in der Halterung decken müssen. Die folgende Abbildung zeigt, an welchen Stellen die Halterungen zu montieren sind.

**Abbildung 2-1. Halterungen für die Rack-Montage anbringen**



- 2** Führen Sie die mitgelieferten Schrauben in die Rackmontagebohrungen ein, und ziehen Sie sie mit einem Schraubendreher fest.
- 3** Wiederholen Sie die Schritte für die Rack-Montagehalterung auf der anderen Seite des Geräts.
- 4** Setzen Sie die Einheit in das 19-Zoll-Rack ein, und stellen Sie sicher, dass die Montagebohrungen am Gerät mit den Montagebohrungen am Rack übereinstimmen.
- 5** Befestigen Sie das Gerät mit den Rackschrauben (nicht im Lieferumfang enthalten) am Rack. Ziehen Sie zuerst die unteren und dann die oberen Schrauben an. Die Belüftungsöffnungen dürfen nicht versperrt werden.

### **Installation auf einer ebenen Fläche**

Falls kein Rack verwendet wird, muss das Gerät auf einer ebenen Fläche montiert werden. Die Tragfähigkeit der Fläche muss für das Gerät und die Gerätekabel ausreichen.

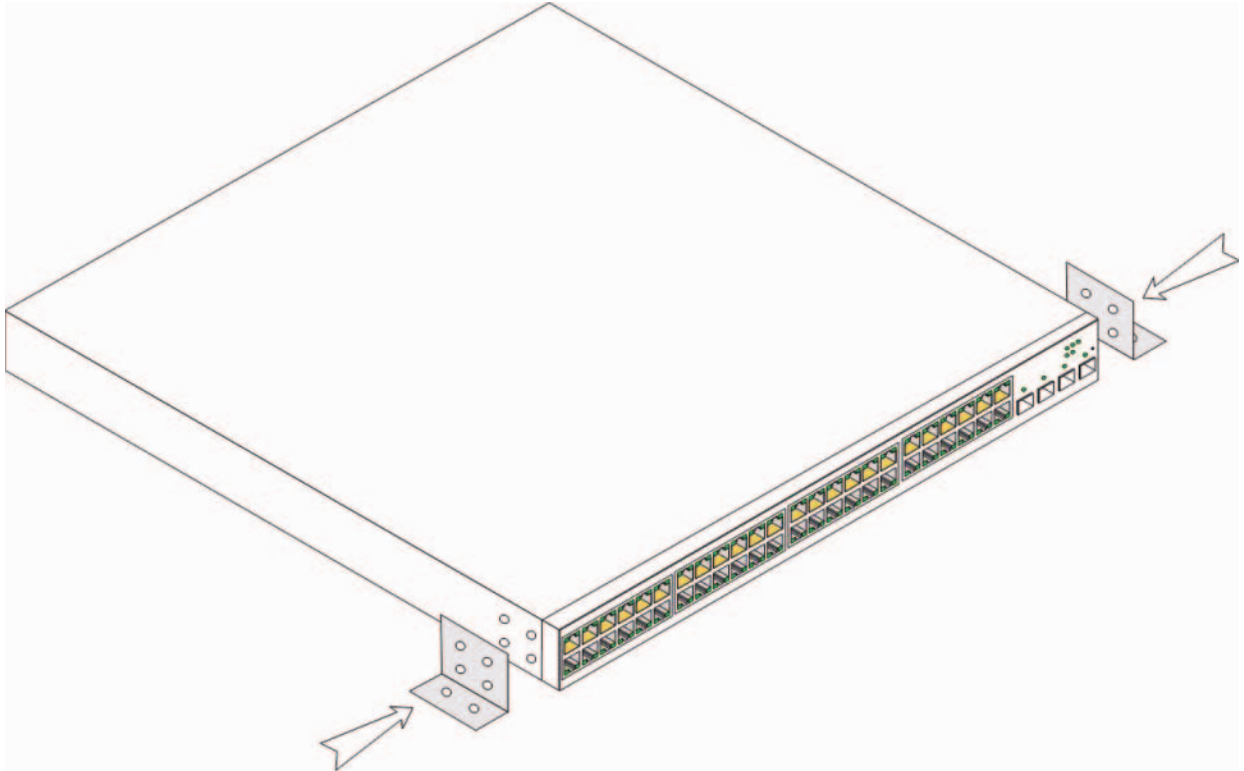
- 1** Befestigen Sie die Gummifüße an den markierten Stellen auf der Unterseite des Gehäuses.
- 2** Setzen Sie das Gerät auf die ebene Fläche, und lassen Sie an beiden Seiten 5 cm und auf der Rückseite 13 cm Freiraum.
- 3** Achten Sie auf ausreichende Belüftung.

### **Wandmontage**

So montieren Sie den Switch an einer Wand:

- 1** Der Ort der Montage muss folgende Voraussetzungen erfüllen:
  - Die Wandfläche muss zum Tragen des Switches ausreichend stabil sein.
  - Auf beiden Seiten des Geräts müssen 5 cm Platz für ausreichende Lüftung gelassen werden, und auf der Rückseite des Geräts sollten 13 cm für das Stromkabel zur Verfügung stehen.
  - Der Ort der Montage darf nicht dem direkten Sonnenlicht ausgesetzt sein.
  - Der Ort der Montage muss mindestens 60 cm von Heißluftöffnungen entfernt sein, und es sollte keine Bereichsheizöffnung in Richtung des Geräts weisen.
  - Der Ort der Montage muss zur Vermeidung von Hitzestau belüftet sein.
  - Montieren Sie den Switch nicht in der Nähe von Daten- oder Elektrokabeln.
  - Im Bereich der Länge des Netzstromkabels sollte eine Steckdose vorhanden sein.
- 2** Befestigen Sie mithilfe der mitgelieferten Schrauben auf jeder Seite des Switches ein Montageblech (siehe Abbildung).

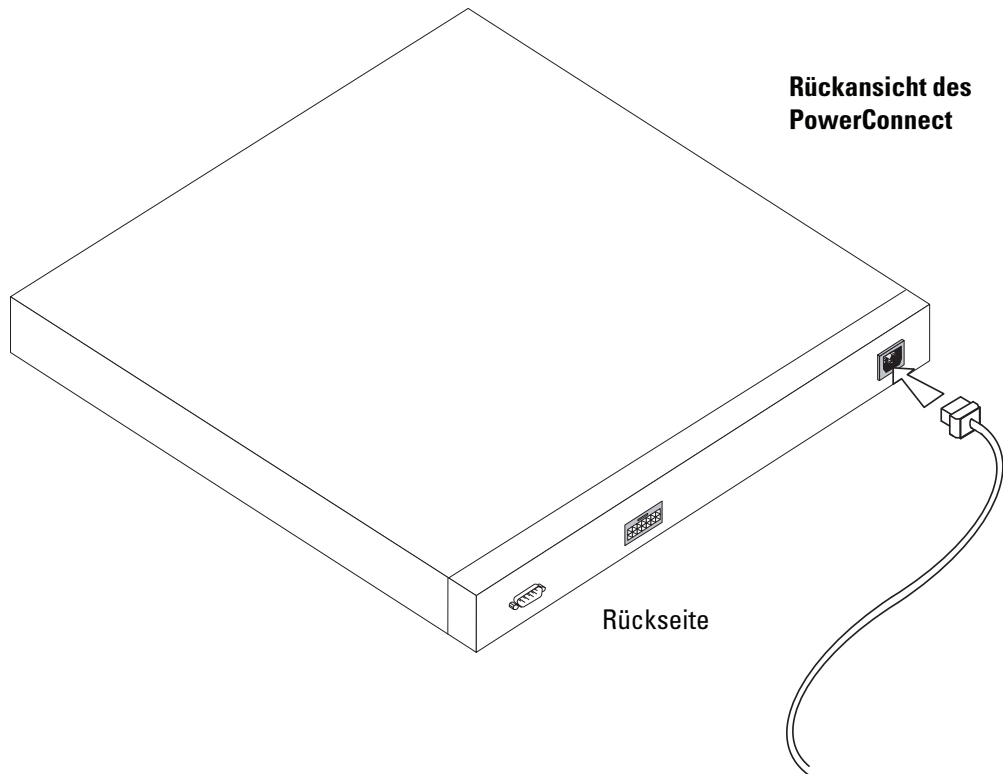
**Abbildung 2-2. Halterungen für die Wandmontage anbringen**



### **Verbinden des Gerätes mit dem Netzteil**

- 1** Verbinden Sie das mitgelieferte Netzkabel mit dem Stromanschluss auf der Rückseite.
- 2** Schließen Sie das Stromkabel noch nicht an eine geerdete Netzsteckdose an. Wie das Gerät mit einer Stromquelle verbunden wird, ist im Abschnitt „Gerät starten und konfigurieren“ ausführlich beschrieben.


**Abbildung 2-3. Verbinden mit dem Netzteil**




- 3** Überprüfen Sie die LED-Anzeigen an der Vorderseite, um sicherzustellen, dass das Gerät angeschlossen ist und fehlerfrei funktioniert.

## Starten und Konfigurieren des Gerätes

Nachdem Sie alle externen Verbindungen vorgenommen haben, schließen Sie das Gerät an ein Terminal an, um es zu konfigurieren. Wie die zusätzlichen Erweiterungsfunktionen ausgeführt werden, beschreibt das *Benutzerhandbuch für Dell PowerConnect 5400* auf der Dokumentations-CD.

 **ANMERKUNG:** Lesen Sie die Versionshinweise für dieses Produkt, bevor Sie fortfahren. Die Versionshinweise können von <http://support.dell.com> heruntergeladen werden.

 **ANMERKUNG:** Es wird empfohlen, die aktuelle Version der Benutzerdokumentation auf der Dell Support-Website <http://support.dell.com> herunterzuladen.

### Verbinden eines Terminals mit dem Gerät

Das Gerät ermöglicht über einen Konsolenport eine Verbindung zu einem Desktop-System, auf dem eine Terminal-Emulationssoftware zur Überwachung und Konfiguration ausgeführt wird. Bei dem Konsolenport handelt es sich um einen DB-9-Anschluss, der als Datenendeinrichtung (DTE=Data Terminal Equipment) implementiert wird.

Um den Konsolenport nutzen zu können, wird Folgendes benötigt:

- Ein VT100-kompatibles Terminal oder ein Desktop- bzw. tragbares System mit einem seriellen Anschluss, auf dem die VT100-Terminal-Emulationssoftware ausgeführt wird
- Ein gekreuztes RS-232-Kabel mit DB-9-Buchse für den Konsolenanschluss und dem geeigneten Anschluss für das Terminal

Führen Sie folgende Schritte aus, um ein Terminal an den Konsolenanschluss des Geräts anzuschließen:

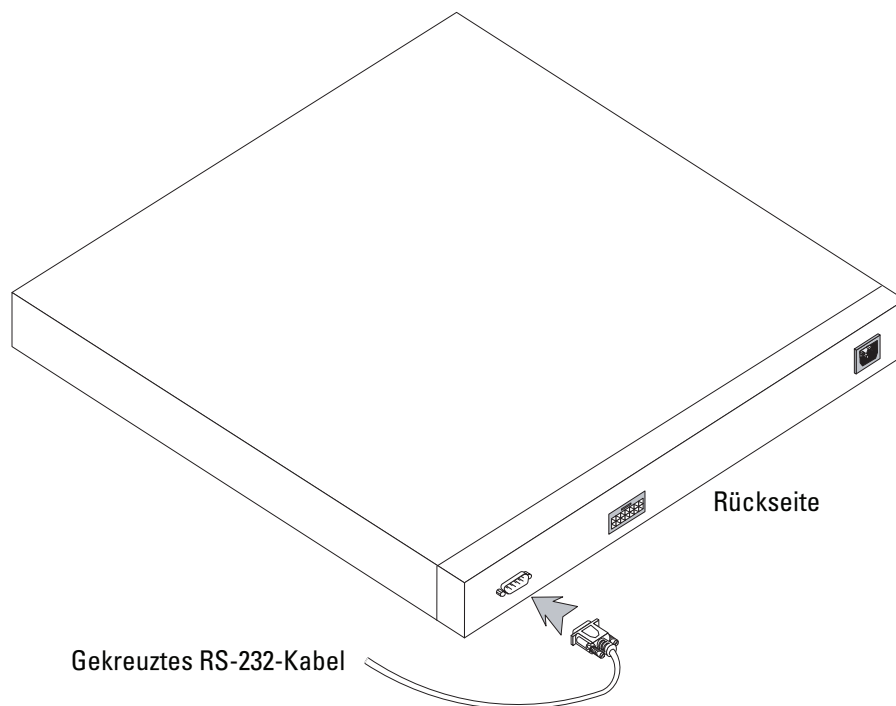
- 1** Verbinden Sie das mitgelieferte, gekreuzte RS-232-Kabel mit dem Terminal, auf dem die VT100-Terminal-Emulationssoftware ausgeführt wird.
- 2** Vergewissern Sie sich, dass die Terminal-Emulationssoftware wie folgt eingerichtet ist:
  - a** Wählen Sie eine geeignete serielle Schnittstelle (serielle Schnittstelle 1 oder 2) zur Verbindung mit der Konsole aus.
  - b** Setzen Sie die Datenrate auf 9600 Baud.
  - c** Setzen Sie das Datenformat auf 8 Datenbits, 1 Stoppbit, keine Parität.

- d Deaktivieren Sie die Flusskontrolle.
- e Wählen Sie bei den Eigenschaften die Betriebsart „VT100 für Emulation“.
- f Wählen Sie für die Belegung der Funktions-, Pfeil und Strg-Tasten die Option „Terminal“.  
Stellen Sie sicher, dass die Einstellung „Terminal“ lautet (keine Windows-Tasten).

➔ **HINWEIS:** Wenn Sie HyperTerminal unter Microsoft® Windows 2000, Windows XP, oder Windows Vista™ verwenden, vergewissern Sie sich, dass Sie die neuesten Servicepacks installiert haben. Mit Windows 2000 Service Pack 2 funktionieren die Pfeiltasten in der VT100-Emulierung von HyperTerminal ordnungsgemäß. Weitere Informationen zu den Service Packs für Windows 2000, Windows XP und Windows Vista finden Sie unter [www.microsoft.com](http://www.microsoft.com).

- 3 Verbinden Sie die Buchse des gekreuzten RS-232-Kabels direkt mit dem Anschluss für die Konsole am Mastergerät bzw. am Standalone-Gerät und ziehen Sie die Halteschrauben fest. Der Konsolenanschluss der PowerConnect 5400-Reihe befindet sich auf der Rückseite.

**Abbildung 3-1. Verbindung zum Konsolenport der PowerConnect 5400-Reihe**



## Starten des Switches

Gehen Sie wie folgt vor, um den Switch zu starten:

- 1 Stellen Sie sicher, dass der Konsolenport des Geräts über ein gekreuztes RS-232-Kabel mit einem VT100-Terminal oder einem VT100-Emulationsprogramm verbunden ist.
- 2 Suchen Sie eine geeignete Netzstromquelle.
- 3 Deaktivieren Sie die Netzstromquelle.
- 4 Verbinden Sie das Gerät mit dem Netzstromanschluss.
- 5 Aktivieren Sie die Netzstromquelle.

Wenn das Gerät mit dem lokalen Terminal verbunden ist und der Strom eingeschaltet wird, durchläuft der Switch den Einschaltselbsttest (POST – Power On Self Test). POST wird immer bei der Initialisierung des Gerätes ausgeführt und überprüft die Hardware-Komponenten, um zu ermitteln, ob das Gerät bereits vor Abschluss des Startvorgangs vollständig betriebsbereit ist. Wenn ein kritischer Fehler festgestellt wird, wird der Programmablauf unterbrochen. Bei erfolgreicher Ausführung des Einschaltselbsttests wird ein gültiges, ausführbares Image in den RAM geladen. Die Fehler- bzw. Erfolgsmeldungen des Einschaltselbsttests werden auf dem Terminal angezeigt.

Der Startvorgang dauert ungefähr 90 Sekunden.

## Erstkonfiguration



**ANMERKUNG:** Lesen Sie die Versionshinweise für dieses Produkt, bevor Sie fortfahren. Sie können die Versionshinweise von der Dell Support-Website unter <http://support.dell.com> herunterladen.



**ANMERKUNG:** Bei der Erstkonfiguration werden folgenden Punkte vorausgesetzt:

- Das PowerConnect-Gerät wird zum ersten Mal konfiguriert und befindet sich in dem gleichen Zustand, in dem Sie es erhalten haben.
- Das PowerConnect-Gerät wurde erfolgreich gestartet.
- Es besteht eine Konsolenverbindung, und die Konsolenbefehlszeile wird auf dem Bildschirm eines VT100-Terminals angezeigt. (Drücken Sie mehrmals die <Eingabetaste>, damit die Befehlszeile korrekt angezeigt wird.)

Die Erstkonfiguration des Gerätes wird über den seriellen Anschluss vorgenommen. Nach der Erstkonfiguration kann das Gerät entweder über die bereits bestehende Verbindung zum seriellen Anschluss oder über eine Schnittstelle verwaltet werden, die während der Erstkonfiguration definiert wird.

Wenn das Gerät zum ersten Mal startet oder die Konfigurationsdatei wegen nicht erfolgter Gerätekonfiguration leer ist, werden Sie vom System aufgefordert, den Setup-Assistenten zu verwenden. Der Setup-Assistent führt Sie durch die Erstkonfiguration und macht das Gerät auf schnellstem Weg einsatzbereit.



**ANMERKUNG:** Erfragen Sie vor dem Konfigurieren des Geräts die folgenden Informationen vom Netzwerkadministrator:

- SNMP-Community-String und SNMP-Management-System-IP-Adresse (optional).
- Benutzername und Kennwort.
- IP-Adresse für die VLAN 1-Schnittstelle, über die das Gerät verwaltet werden soll (standardmäßig gehört jeder externe und interne Port zu VLAN 1)
- IP Subnetzmaske für das Netzwerk
- IP-Adresse des Standard-Gateways (nächster Hop-Router) zur Konfiguration des Standardpfads

Der Setup-Assistent führt Sie durch die Erstkonfiguration des Switches und macht das System auf schnellstem Weg einsatzbereit. Sie können den Setup-Assistenten überspringen und den Switch manuell über CLI-Befehle konfigurieren. Informationen über das Konfigurieren des Geräts mit CLI-Befehlen finden Sie im *Benutzerhandbuch für die PowerConnect 5400-Reihe*.

Mit dem Setup-Assistenten werden die folgenden Felder konfiguriert.

- SNMP-Community-String und SNMP-Management-System-IP-Adresse (optional)
- Benutzername und Kennwort
- IP-Adresse des Gerätes
- IP-Subnetzmaske
- Standard-Gateway-IP-Adresse

Der Setup-Assistent zeigt die folgenden Informationen an:

```
Welcome to Dell Easy Setup Wizard
```

```
The Setup Wizard guides you through the initial switch configuration,
and gets you up and running easily and quickly. You can also skip the
setup wizard, and enter CLI mode to manually configure the switch
if you prefer. You can exit the setup wizard any time by entering
{CNTRL+Z}. The system will prompt you with a default answer.
By pressing Enter, you accept the default value.
```

```
Would you like to skip the setup wizard? [Y/N] N
```

Wenn Sie [Y] eingeben, wird der Setup-Assistent beendet. Wenn Sie innerhalb von 60 Sekunden nicht reagieren, wird der Setup-Assistent automatisch beendet und die Eingabeaufforderung der CLI-Konsole erscheint.

Wenn Sie [N] eingeben, werden Sie vom Setup-Assistenten interaktiv durch die Erstkonfiguration des Geräts geführt.



**ANMERKUNG:** Der Setup-Assistent lässt sich jederzeit durch Drücken von [STRG+Z] beenden.



**ANMERKUNG:** Wenn Sie auf eine der Eingabeaufforderungen innerhalb von 60 Sekunden nicht reagieren, wird der Setup-Assistent automatisch beendet. Außerdem wird keine der Änderungen gespeichert.



## Schritt 1 des Assistenten

Die folgenden Informationen werden angezeigt:

```
The system is not setup for SNMP management by default. To manage the switch using SNMP (required for Dell Network Manager) you can:
```

- Setup the initial SNMP version 2 account now.
- Return later and setup the SNMP version account. (For more information on setting up a SNMP version 2 account, see the user documentation).

```
Would you like to setup the SNMP management interface now? [Y/N] Y
```

Geben Sie [N] ein, um mit Schritt 2 fortzufahren.

Geben Sie [Y] ein, um den Setup-Assistenten fortzusetzen. Die folgenden Informationen werden angezeigt:

```
To setup the SNMP management account you must specify the management system IP address and the "community string" or password that the particular management system uses to access the switch. The wizard automatically assigns the highest access level [Privilege Level 15] to this account. You can use Dell Network Manager or other management interfaces to change this setting later, and to add additional management system later. For more information on adding management systems, see the user documentation.
```

```
To add a management station:
```

```
Please enter the SNMP community string to be used:[MYSETUPWIZARD] >> Dell Network Manager
```

Geben Sie die IP-Adresse des Verwaltungssystems ein (A.B.C.D) oder einen Platzhalter (0.0.0.0), um von jeder Verwaltungsstation zu verwalten, zum Beispiel 192.168.1.10. Drücken Sie die **Eingabetaste**.

## Schritt 2 des Assistenten

Die folgenden Informationen werden angezeigt:

```
Now we need to setup your initial privilege (Level 15) user account. This account is used to login to the CLI and Web interface. You may setup other accounts and change privilege levels later. For more information on setting up user accounts and changing privilege levels, see the user documentation.
```

```
To setup a user account:
```

```
Please enter the user name:
```

```
Please enter the user password:
```

```
Please reenter the user password:
```

Geben Sie folgende Informationen ein:

- Benutzername, z. B. „admin“
- Kennwort und Kennwortbestätigung



**ANMERKUNG:** Wenn die erste und zweite Kennworteingabe nicht identisch sind, werden Sie vom System darauf hingewiesen.

Drücken Sie die **Eingabetaste**.

### Schritt 3 des Assistenten

Die folgenden Informationen werden angezeigt:

```
Next, an IP address is setup. The IP address is defined on the
default VLAN (VLAN #1), of which all ports are members. This is
the IP address you use to access the CLI, Web interface, or SNMP
interface for the switch.
```

```
To setup an IP address:
```

```
Please enter the IP address of the device (A.B.C.D):
```

```
Please enter the IP subnet mask (A.B.C.D or /nn):
```

Geben Sie die IP-Adresse und IP-Subnetzmaske ein, zum Beispiel 192.168.1.100 als IP-Adresse und 255.255.255.0 als IP-Subnetzmaske.

Drücken Sie die **Eingabetaste**.

### Schritt 4 des Assistenten

Die folgenden Informationen werden angezeigt:

```
Finally, setup the default gateway. Please enter the IP address
of the gateway from which this network is reachable
(e.g. 192.168.1.1):
```

Geben Sie das Standard-Gateway ein.

Drücken Sie die **Eingabetaste**. Folgendes wird angezeigt (mit den beschriebenen Beispielparametern):

```
This is the configuration information that has been collected:
```

```
SNMP Interface = "Dell Network Manager"@192.168.1.10
```

```
User Account setup = admin
```

```
Password = *****
```

```
Management IP address = 192.168.1.100 255.255.255.0
```

```
Default Gateway = 192.168.1.1
```

## Schritt 5 des Assistenten

Die folgenden Informationen werden angezeigt:

```
If the information is correct, please select (Y) to save the
configuration, and copy to the start-up configuration file.
If the information is incorrect, select (N) to discard configuration
and restart the wizard: [Y/N]
```

Geben Sie [N] ein, um den Assistenten neu zu starten.

Geben Sie [Y] ein, um den Setup-Assistenten abzuschließen. Folgendes wird angezeigt:

```
Thank you for using Dell Easy Setup Wizard. You will now enter CLI
mode.
```

## Schritt 6 des Assistenten

Die CLI-Eingabeaufforderung wird angezeigt. Weitere Informationen erhalten Sie im Dokument *PowerConnect 5400-Reihe – Benutzerhandbuch*.



Συστήματα Dell™  
PowerConnect™ 54xx

# Οδηγός για γρήγορο ξεκίνημα

## Σημείωση, Ειδοποίηση και Προσοχή



**ΣΗΜΕΙΩΣΗ:** Η ένδειξη ΣΗΜΕΙΩΣΗ υποδεικνύει σημαντικές πληροφορίες που σας βοηθούν να χρησιμοποιήσετε πιο σωστά τον υπολογιστή σας.



**ΕΙΔΟΠΟΙΗΣΗ:** Η ένδειξη ΕΙΔΟΠΟΙΗΣΗ υποδεικνύει είτε πιθανή βλάβη του υλικού είτε απώλεια δεδομένων και σας ενημερώνει πώς να αποφύγετε το πρόβλημα.



**ΠΡΟΣΟΧΗ:** Η ένδειξη ΠΡΟΣΟΧΗ υποδεικνύει την πιθανότητα υλικής ζημιάς, προσωπικού τραυματισμού ή θανάτου.

---

Οι πληροφορίες που περιέχονται στο παρόν έγγραφο ενδέχεται να αλλάξουν χωρίς προηγούμενη ειδοποίηση.  
© 2007 Dell Inc. Με επιφύλαξη όλων των δικαιωμάτων.

Απαγορεύεται αυστηρώς η αναπαραγωγή με οποιονδήποτε τρόπο χωρίς την έγγραφη άδεια της Dell Inc.

Εμπορικά σήματα που χρησιμοποιούνται σε αυτό το κείμενο: Οι ονομασίες *Dell*, *Dell OpenManage*, το λογότυπο *DELL*, οι ονομασίες *Inspiron*, *Dell Precision*, *Dimension*, *OptiPlex*, *PowerConnect*, *PowerApp*, *PowerVault*, *Axim*, *DellNet* και *Latitude* είναι εμπορικά σήματα της Dell Inc. Οι ονομασίες *Microsoft*, *Windows*, *Windows Server* και *Windows Vista* είναι εμπορικά σήματα ή σήματα κατατεθέντα της Microsoft Corporation στις Ηνωμένες Πολιτείες και/ ή σε άλλες χώρες.

Στο παρόν έγγραφο ενδέχεται να χρησιμοποιούνται άλλα εμπορικά σήματα και εμπορικές ονομασίες για αναφορά στις οντότητες που διεκδικούν τα σήματα και τις ονομασίες ή για αναφορά στα προϊόντα τους. Η Dell Inc. αποποιείται οποιοδήποτε πιθανό συμφέρον ιδιοκτησίας από εμπορικά σήματα και εμπορικές ονομασίες εκτός από αυτά που έχει στην κατοχή της.

# Περιεχόμενα

1	Εγκατάσταση	
	Επισκόπηση . . . . .	95
	Προετοιμασία τοποθέτησης . . . . .	95
	Απαιτήσεις θέσης τοποθέτησης. . . . .	95
	Άνοιγμα συσκευασίας . . . . .	96
	Περιεχόμενα συσκευασίας . . . . .	96
	Άνοιγμα συσκευασίας της συσκευής . . . . .	96
2	Τοποθέτηση της συσκευής	
	Επισκόπηση . . . . .	97
	Εγκατάσταση συσκευής σε ράφι . . . . .	97
	Εγκατάσταση σε επίπεδη επιφάνεια . . . . .	98
	Εγκατάσταση σε τοίχο. . . . .	98
	Σύνδεση συσκευής σε πηγή τροφοδοσίας . . . . .	99
3	Εκκίνηση και ρύθμιση παραμέτρων της συσκευής	
	Σύνδεση του τερματικού στη συσκευή . . . . .	101
	Εκκίνηση του διακόπτη . . . . .	103
	Αρχική ρύθμιση παραμέτρων . . . . .	103





# Εγκατάσταση

## Επισκόπηση

Αυτό το έγγραφο παρέχει βασικές πληροφορίες για την εγκατάσταση και την εκκίνηση λειτουργίας των διακοπών της σειράς PowerConnect 5400. Για περισσότερες πληροφορίες, ανατρέξτε στον Οδηγό Χρήσης των συστημάτων Dell™ PowerConnect™ της σειράς 5400, ο οποίος είναι διαθέσιμος στο CD τεκμηρίωσης, ή επισκεφθείτε την τοποθεσία υποστήριξης της Dell στο Web, στη διεύθυνση [www.support.dell.com](http://www.support.dell.com) για τις τελευταίες ενημερώσεις τεκμηρίωσης και λογισμικού.

## Προετοιμασία τοποθέτησης

### Απαιτήσεις θέσης τοποθέτησης

Οι συσκευές της σειράς PowerConnect 5400 μπορούν να τοποθετηθούν σε τυπικό πλαίσιο εξοπλισμού 19 ιντσών (48,26 εκατοστά) ή μπορούν να τοποθετηθούν σε επιφάνεια γραφείου. Πριν από την εγκατάσταση της μονάδας, βεβαιωθείτε ότι η επιλεγμένη θέση για την εγκατάσταση πληροί τις απαιτήσεις τοποθέτησης που περιγράφονται παρακάτω:

- **Τροφοδοσία** — Η μονάδα είναι εγκατεστημένη κοντά σε εύκολα προσβάσιμη πρίζα 100-250 V AC, 50-60 Hz. Προτιμάται η παροχή δύο ξεχωριστών πηγών τροφοδοσίας, για παράδειγμα, μία RPS και μια ξεχωριστή παροχή.
- **Γενικά** — Βεβαιωθείτε ότι η τροφοδοσία ρεύματος είναι σωστά εγκατεστημένη ελέγχοντας εάν είναι αναμμένα τα LED στο μπροστινό πλαίσιο.
- **Ελεύθερος χώρος** — Υπάρχει ελεύθερος χώρος μπροστά από τον εξοπλισμό για την πρόσβαση του χειριστή. Αφήστε ελεύθερο χώρο για καλώδια, συνδέσεις τροφοδοσίας και εξαερισμό.
- **Καλώδια** — Τα καλώδια τοποθετούνται έτσι ώστε να αποφεύγονται οι πηγές ηλεκτρικού θορύβου, όπως ραδιοφωνικοί πομποί, ενισχυτές ραδιοτηλεοπτικής μετάδοσης, γραμμές τροφοδοσίας και εξαρτήματα λαμπτήρων φθορισμού.
- **Απαιτήσεις περιβάλλοντος** — Το εύρος των θερμοκρασιών λειτουργίας περιβάλλοντος της συσκευής κυμαίνεται από 0 έως 45°C (32 έως 113°F) σε σχετική υγρασία 10% έως 90%, χωρίς συμπύκνωση.

# Άνοιγμα συσκευασίας

## Περιεχόμενα συσκευασίας

Κατά το άνοιγμα της συσκευασίας της συσκευής, βεβαιωθείτε ότι περιλαμβάνονται τα ακόλουθα αντικείμενα:

- Συσκευή/ Διακόπτης
- Καλώδιο τροφοδοσίας AC
- Καλώδιο διασταύρωσης RS-232
- Ελαστικά αυτοκόλλητα
- Σετ τοποθέτησης για εγκατάσταση σε ράφι
- CD τεκμηρίωσης

## Άνοιγμα συσκευασίας της συσκευής



**ΣΗΜΕΙΩΣΗ:** Πριν από το άνοιγμα της συσκευασίας της συσκευής, εξετάστε το πακέτο και αναφέρετε αμέσως τις ζημιές που θα παρατηρήσετε.

- 1 Τοποθετήστε το κουτί σε μια καθαρή επίπεδη επιφάνεια και κόψτε όλες τις λωρίδες ασφάλισης του κουτιού.
- 2 Ανοίξτε το κουτί ή αφαιρέστε το επάνω μέρος του.
- 3 Αφαιρέστε προσεκτικά τη μονάδα από το κουτί και τοποθετήστε τη σε μια ασφαλή και καθαρή επιφάνεια.
- 4 Αφαιρέστε όλα τα υλικά συσκευασίας.
- 5 Εξετάστε το προϊόν για ζημιές. Αναφέρετε αμέσως όποια ζημιά διαπιστώσετε.

# Τοποθέτηση της συσκευής

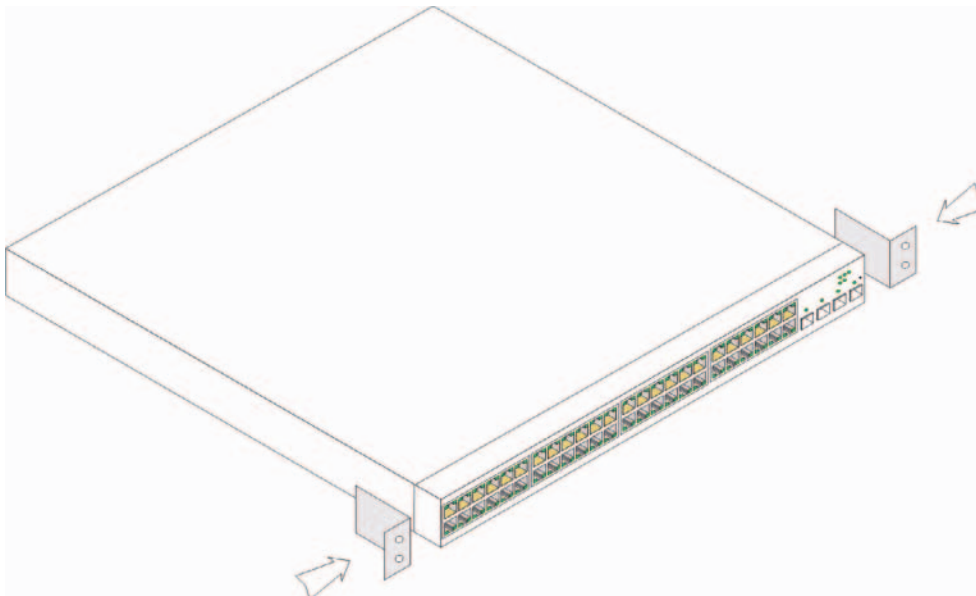
## Επισκόπηση

Οι ακόλουθες οδηγίες τοποθέτησης ισχύουν για τους διακόπτες της σειράς PowerConnect 5400. Οι συζευκτικές τροφοδοσίες για τη συσκευή είναι τοποθετημένοι στο πίσω πλαίσιο. Η σύνδεση εφεδρικής παροχής ρεύματος (Redundant Power Supply - RPS) είναι προαιρετική, αλλά συνιστάται. Ο συζευκτήρας RPS είναι τοποθετημένος στο πίσω πλαίσιο της συσκευής.

### Εγκατάσταση συσκευής σε ράφι

- ⚠ ΠΡΟΣΟΧΗ:** Διαβάστε τις οδηγίες για την ασφάλεια στον Οδηγό Πληροφοριών Προϊόντος, καθώς και τις πληροφορίες για την ασφάλεια για άλλες συσκευές που συνδέονται στο διακόπτη ή τον υποστηρίζουν.
  - ⚠ ΠΡΟΣΟΧΗ:** Αποσυνδέστε όλα τα καλώδια από τη μονάδα προτού τοποθετήσετε τη συσκευή σε ράφι ή θήκη.
  - ⚠ ΠΡΟΣΟΧΗ:** Κατά την τοποθέτηση πολλών συσκευών σε ράφι, τοποθετήστε τις συσκευές από κάτω προς τα επάνω.
- 1 Τοποθετήστε στη μία πλευρά της συσκευής το παρεχόμενο στηρίγμα για τοποθέτηση σε ράφι, φροντίζοντας οι οπές τοποθέτησης της συσκευής να ευθυγραμμίζονται με τις οπές του στηρίγματος τοποθέτησης. Η ακόλουθη εικόνα απεικονίζει τη θέση τοποθέτησης των στηριγμάτων.

Εικόνα 2-1. Εγκατάσταση στηρίγματος για τοποθέτηση σε ράφι



- 2 Τοποθετήστε τις παρεχόμενες βίδες στις οπές τοποθέτησης σε ράφι και σφίξτε με ένα κατσαβίδι.
- 3 Επαναλάβετε τη διαδικασία για το στήριγμα τοποθέτησης σε ράφι στην άλλη πλευρά της συσκευής.
- 4 Τοποθετήστε τη μονάδα στο ράφι των 19 ιντσών (48,26 εκατοστά), φροντίζοντας οι οπές τοποθέτησης της συσκευής να ευθυγραμμίζονται με τις οπές στο ράφι.
- 5 Συνδέστε τη μονάδα στο ράφι με τις βίδες ραφιού (δεν παρέχονται). Βιδώστε τις δύο κάτω βίδες πριν από τις επάνω. Βεβαιωθείτε ότι δεν φράσσονται οι οπές αερισμού.

## Εγκατάσταση σε επίπεδη επιφάνεια

Η συσκευή πρέπει να εγκατασταθεί σε επίπεδη επιφάνεια εάν δεν εγκατασταθεί σε ράφι. Η επιφάνεια πρέπει να έχει τη δυνατότητα στήριξης του βάρους της συσκευής και των καλωδίων.

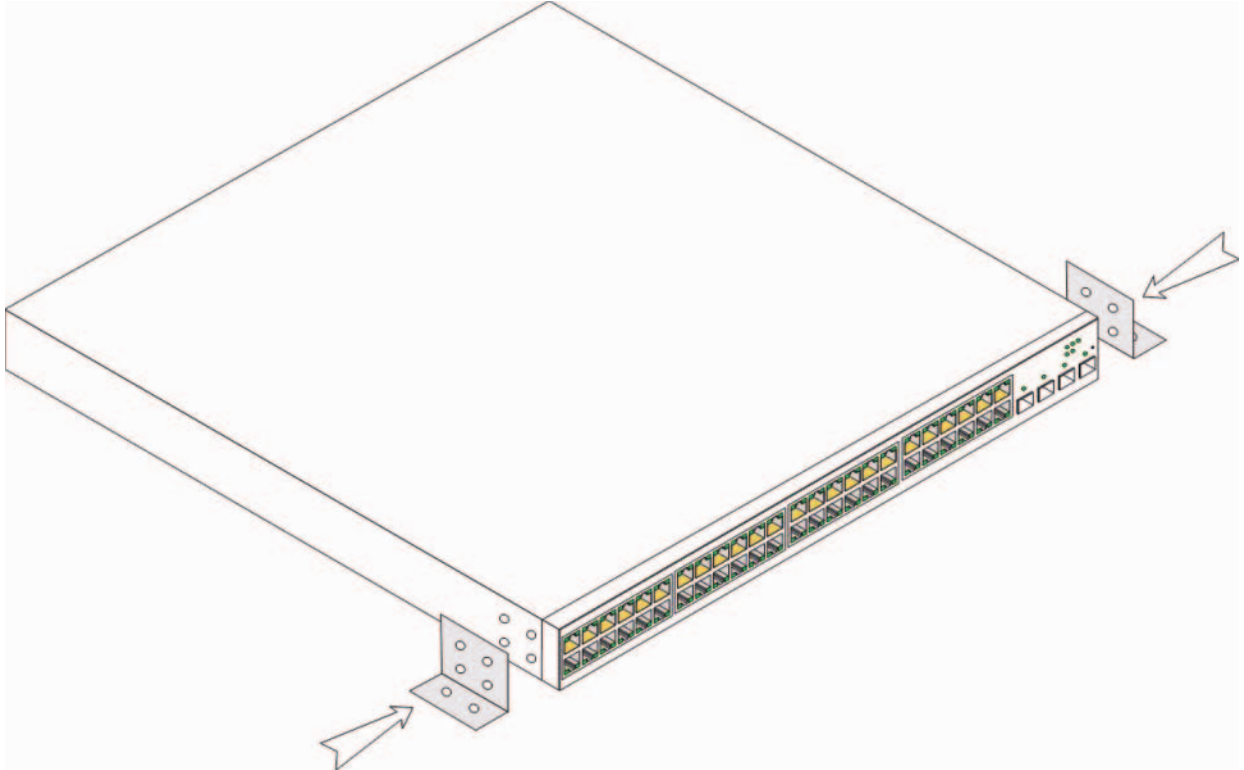
- 1 Τοποθετήστε τις λαστιχένιες βάσεις σε κάθε σημαδεμένη θέση στο κάτω μέρος του πλαισίου της συσκευής.
- 2 Τοποθετήστε τη συσκευή σε μια επίπεδη επιφάνεια, αφήνοντας 2 ίντσες (5,08 εκατοστά) σε κάθε πλευρά και 5 ίντσες (12,7 εκατοστά) στο πίσω μέρος.
- 3 Βεβαιωθείτε ότι η συσκευή διαθέτει επαρκή αερισμό.

## Εγκατάσταση σε τοίχο

Για να τοποθετήσετε το διακόπτη σε τοίχο:

- 1 Βεβαιωθείτε ότι η θέση τοποθέτησης πληροί τις ακόλουθες απαιτήσεις:
  - Η επιφάνεια του τοίχου πρέπει να έχει τη δυνατότητα υποστήριξης του διακόπτη.
  - Αφήστε ελεύθερο χώρο τουλάχιστον 5,1 εκ. (2 ίντσες) στα πλάγια για το σωστό αερισμό και 12,7 εκ. (5 ίντσες) στο πίσω μέρος για το καλώδιο τροφοδοσίας.
  - Η θέση δεν πρέπει να εκτίθεται απευθείας στο ηλιακό φως.
  - Η θέση πρέπει να απέχει τουλάχιστον εξήντα εκατοστά από οποιαδήποτε δίοδο θέρμανσης και καμία δίοδος θέρμανσης του χώρου δεν πρέπει να είναι στραμμένη προς τη μονάδα.
  - Η θέση πρέπει να αερίζεται για την αποφυγή αύξησης της θερμοκρασίας.
  - Μην τοποθετείτε το διακόπτη κοντά σε καλώδια δεδομένων ή ηλεκτρισμού.
  - Το καλώδιο τροφοδοσίας πρέπει να φτάνει σε πρίζα.
- 2 Χρησιμοποιήστε τις βίδες που παρέχονται για να προσαρτήσετε ένα στήριγμα τοποθέτησης σε κάθε πλευρά του διακόπτη ( δείτε την παρακάτω εικόνα).

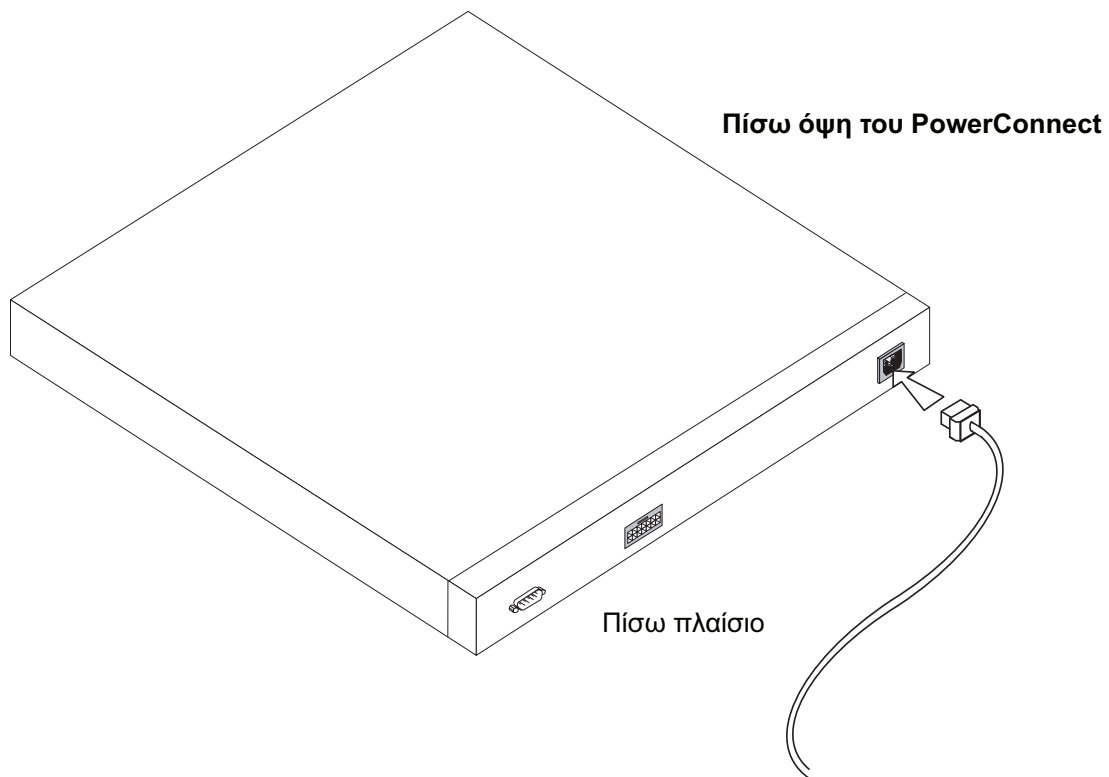
**Εικόνα 2-2. Εγκατάσταση στηρίγματος για τοποθέτηση σε τοίχο**



### **Σύνδεση συσκευής σε πηγή τροφοδοσίας**

- 1** Χρησιμοποιώντας το παρεχόμενο καλώδιο τροφοδοσίας AC, συνδέστε το καλώδιο τροφοδοσίας στο συζευκτήρα τροφοδοσίας AC που βρίσκεται στο πίσω πλαίσιο.
- 2** Σε αυτή τη χρονική στιγμή μην συνδέετε το καλώδιο τροφοδοσίας σε γειωμένη πρίζα AC. Συνδέστε τη συσκευή με πηγή τροφοδοσίας, σύμφωνα με τα βήματα που περιγράφονται στην ενότητα “Εκκίνηση και ρύθμιση παραμέτρων της συσκευής”.

**Εικόνα 2-3. Σύνδεση σε τροφοδοσία**



- 3** ότι η συσκευή είναι συνδεδεμένη και ότι λειτουργεί σωστά εξετάζοντας τις φωτεινές ενδείξεις LED στον μπροστινό πίνακα.

## Εκκίνηση και ρύθμιση παραμέτρων της συσκευής

Αφού ολοκληρωθούν όλες οι εξωτερικές συνδέσεις, συνδέστε ένα τερματικό στη συσκευή για να ρυθμίσετε τις παραμέτρους της συσκευής. Η εκτέλεση των πρόσθετων λειτουργιών για προχωρημένους περιγράφεται στον *Οδηγό Χρήσης των συστημάτων Dell™ PowerConnect™ της σειράς 5400*, ο οποίος βρίσκεται στο CD τεκμηρίωσης.



**ΣΗΜΕΙΩΣΗ:** Πριν να συνεχίσετε, διαβάστε τις σημειώσεις έκδοσης για αυτό το προϊόν. Η λήψη των σημειώσεων έκδοσης μπορεί να γίνει από τη διεύθυνση <http://support.dell.com>.



**ΣΗΜΕΙΩΣΗ:** Συνιστάται η απόκτηση της πιο πρόσφατης αναθεώρησης της τεκμηρίωσης χρήστη από την τοποθεσία υποστήριξης της Dell στο Web, στη διεύθυνση <http://support.dell.com>.

### Σύνδεση του τερματικού στη συσκευή

Η συσκευή παρέχει μια θύρα κονσόλας, η οποία επιτρέπει μια σύνδεση σε σύστημα επιφάνειας εργασίας τερματικού που εκτελεί λογισμικό εξομοίωσης τερματικού, για την παρακολούθηση και τη ρύθμιση των παραμέτρων της συσκευής. Ο συζευκτήρας θύρας της κονσόλας είναι ένας αρσενικός συζευκτήρας DB-9, που χρησιμοποιείται ως συζευκτήρας DTE (Data Terminal Equipment).

Για να χρησιμοποιήσετε τη θύρα κονσόλας, απαιτούνται τα εξής:

- Τερματικό συμβατό με VT100 ή ένα σύστημα επιφάνειας εργασίας ή ένα φορητό σύστημα με σειριακή θύρα που να εκτελεί λογισμικό εξομοίωσης τερματικού VT100.
- Ένα καλώδιο διασταύρωσης RS-232 με θηλυκό συζευκτήρα DB-9 για τη θύρα κονσόλας και τον κατάλληλο συζευκτήρα για το τερματικό.

Για να συνδέσετε ένα τερματικό με τη θύρα κονσόλας της συσκευής, εκτελέστε τις ακόλουθες ενέργειες:

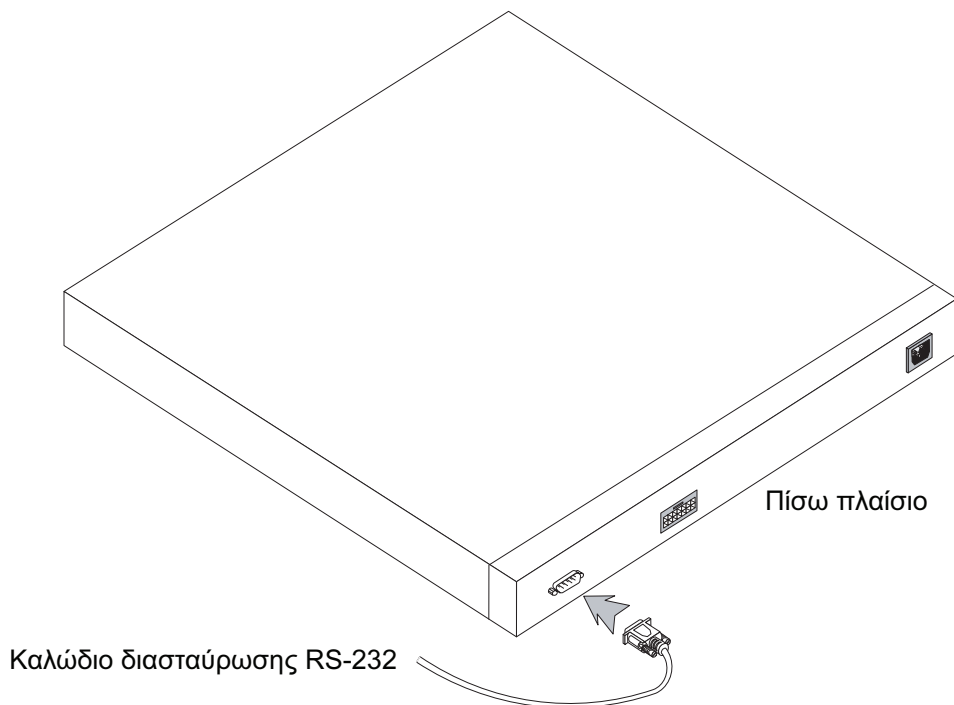
- 1 Συνδέστε το παρεχόμενο καλώδιο διασταύρωσης RS-232 με το τερματικό που εκτελεί λογισμικό εξομοίωσης τερματικού VT100.
- 2 Βεβαιωθείτε ότι το λογισμικό εξομοίωσης λογισμικού έχει ρυθμιστεί ως εξής:
  - a Επιλέξτε την κατάλληλη σειριακή θύρα (σειριακή θύρα 1 ή σειριακή θύρα 2) για να συνδεθείτε με την κονσόλα.
  - b Ορίστε την ταχύτητα μετάδοσης δεδομένων σε 9.600 baud.
  - c Ορίστε τη μορφή δεδομένων σε 8 data bits (8 δυαδικά ψηφία δεδομένων), 1 stop bit (1 δυαδικό ψηφίο τερματισμού) και no parity (μη ισοτιμία).

- d Ορίστε τον έλεγχο ροής σε None.
- e Στην περιοχή των ιδιοτήτων, επιλέξτε VT100 για την κατάσταση λειτουργίας εξομοίωσης.
- f Επιλέξτε τα πλήκτρα τερματικού για τα πλήκτρα λειτουργιών, βέλους και Ctrl. Βεβαιωθείτε ότι η ρύθμιση είναι για τα πλήκτρα τερματικού (και όχι για τα πλήκτρα των Windows).

**➔ ΕΙΔΟΠΟΙΗΣΗ:** Όταν χρησιμοποιείτε τη δυνατότητα HyperTerminal με Microsoft® Windows 2000, Windows XP ή Windows Vista™, βεβαιωθείτε ότι έχετε εγκατεστημένα τα πιο πρόσφατα Service Pack. Με το Windows 2000 Service Pack 2, τα πλήκτρα βέλους λειτουργούν κανονικά στην εξομοίωση VT100 του HyperTerminal. Επισκεφθείτε τη διεύθυνση [www.microsoft.com](http://www.microsoft.com) για πληροφορίες σχετικά με τα Service Pack των Windows 2000, Windows XP και Windows Vista.

- 3 Συνδέστε το θηλυκό συζευκτήρα του καλωδίου διασταύρωσης RS-232 απευθείας στη θύρα κονσόλας της συσκευής στην κύρια μονάδα / αυτόνομη συσκευή και σφίξτε τις αντίστοιχες βίδες. Η θύρα κονσόλας της σειράς PowerConnect 5400 βρίσκεται στο πίσω πλαίσιο.

**Εικόνα 3-1. Σύνδεση με τη θύρα κονσόλας της σειράς PowerConnect 5400**





## Εκκίνηση του διακόπτη

Για να εκκινήσετε το διακόπτη, εκτελέστε τις ακόλουθες ενέργειες:

- 1 Βεβαιωθείτε ότι η θύρα κονσόλας είναι συνδεδεμένη με συσκευή τερματικού VT100 ή με εξομοιωτή τερματικού VT100, μέσω του καλωδίου διασταύρωσης RS-232.
- 2 Εντοπίστε μια υποδοχή τροφοδοσίας AC.
- 3 Απενεργοποιήστε την υποδοχή τροφοδοσίας AC.
- 4 Συνδέστε τη συσκευή με την υποδοχή AC.
- 5 Ενεργοποιήστε την υποδοχή τροφοδοσίας AC.

Κατά την τροφοδοσία και ενώ είναι ήδη συνδεδεμένο το τοπικό τερματικό, ο διακόπτης εκτελεί αυτοδιαγνωστικό έλεγχο εκκίνησης (POST). Ο έλεγχος POST εκτελείται σε κάθε προετοιμασία της συσκευής και ελέγχει στοιχεία υλικού, για να καθορίσει εάν η συσκευή είναι πλήρως λειτουργική πριν από την ολοκλήρωση της εκκίνησης. Εάν εντοπιστεί κάποιο σοβαρό πρόβλημα, η ροή των προγραμμάτων σταματάει. Εάν ο έλεγχος POST ολοκληρωθεί με επιτυχία, φορτώνεται ένα έγκυρο εκτελέσιμο είδωλο στη μνήμη RAM. Τα μηνύματα POST εμφανίζονται στο τερματικό και υποδεικνύουν την επιτυχία ή την αποτυχία του ελέγχου.

Η διαδικασία της εκκίνησης διαρκεί περίπου 90 δευτερόλεπτα.

## Αρχική ρύθμιση παραμέτρων



**ΣΗΜΕΙΩΣΗ:** Πριν να συνεχίσετε, διαβάστε τις σημειώσεις έκδοσης για αυτό το προϊόν. Μπορείτε να κάνετε λήψη των σημειώσεων έκδοσης από την τοποθεσία υποστήριξης της Dell στο Web, στη διεύθυνση <http://support.dell.com>.



**ΣΗΜΕΙΩΣΗ:** Για την αρχική απλή ρύθμιση παραμέτρων ισχύουν οι ακόλουθες προϋποθέσεις:

- Η συσκευή PowerConnect δεν έχει ρυθμιστεί στο παρελθόν και είναι στην ίδια κατάσταση που την παραλάβατε.
- Η εκκίνηση της συσκευής PowerConnect πραγματοποιήθηκε με επιτυχία.
- Δημιουργείται η σύνδεση κονσόλας και η εντολή κονσόλας εμφανίζεται στην οθόνη μιας συσκευής τερματικού VT100. (Πιέστε το πλήκτρο <Enter> αρκετές φορές για να βεβαιωθείτε ότι η εντολή εμφανίζεται σωστά.)

Η αρχική ρύθμιση παραμέτρων συσκευής πραγματοποιείται μέσω της σειριακής θύρας. Μετά την αρχική ρύθμιση παραμέτρων, η διαχείριση της συσκευής μπορεί να γίνει είτε από την ήδη συνδεδεμένη σειριακή θύρα είτε απομακρυσμένα, μέσω περιβάλλοντος εργασίας που ορίζεται κατά την αρχική ρύθμιση παραμέτρων.

Το σύστημα σάς ζητά να χρησιμοποιήσετε τον οδηγό εγκατάστασης όταν η συσκευή ξεκινά για πρώτη φορά ή εάν το αρχείο ρύθμισης παραμέτρων είναι κενό, επειδή οι παράμετροι της συσκευής δεν έχουν ρυθμιστεί. Ο οδηγός εγκατάστασης σας καθοδηγεί για την αρχική ρύθμιση παραμέτρων και θέτει σε λειτουργία τη συσκευή το συντομότερο δυνατό.



**ΣΗΜΕΙΩΣΗ:** Λάβετε τις ακόλουθες πληροφορίες από το διαχειριστή του δικτύου σας, πριν από τη ρύθμιση παραμέτρων της συσκευής:

- Συμβολοσειρά της κοινότητας SNMP και διεύθυνση IP συστήματος διαχείρισης SNMP (προαιρετικά).
- Όνομα χρήστη και κωδικό πρόσβασης.
- Τη διεύθυνση IP που θα εκχωρηθεί στη διασύνδεση VLAN 1 μέσω της οποίας θα γίνει η διαχείριση της συσκευής (από προεπιλογή, κάθε εξωτερική και εσωτερική θύρα είναι μέλος της VLAN 1)
- Τη μάσκα δευτερεύοντος δικτύου IP για το δίκτυο
- Τη διεύθυνση IP της προεπιλεγμένης πύλης (δρομολογητής επόμενης μεταπήδησης) για τη ρύθμιση παραμέτρων της προεπιλεγμένης διαδρομής.

Ο οδηγός εγκατάστασης σας καθοδηγεί για την αρχική ρύθμιση παραμέτρων του διακόπτη και θέτει σε λειτουργία το σύστημα το συντομότερο δυνατό. Μπορείτε να παραλείψετε τη χρήση του οδηγού εγκατάστασης και να ρυθμίσετε τις παραμέτρους του διακόπτη με μη αυτόματο τρόπο μέσω της λειτουργίας CLI της συσκευής. Συμβουλευτείτε τον *Οδηγό Χρήστη συστημάτων της σειράς PowerConnect 5400* για βοήθεια σχετικά με τη ρύθμιση παραμέτρων της συσκευής με τη χρήση CLI.

Ο οδηγός εγκατάστασης ρυθμίζει τις παραμέτρους των ακόλουθων πεδίων.

- Συμβολοσειρά της κοινότητας SNMP και διεύθυνση IP συστήματος διαχείρισης SNMP (προαιρετικά)
- Όνομα χρήστη και κωδικός πρόσβασης
- Διεύθυνση IP της συσκευής
- Μάσκα δευτερεύοντος δικτύου IP
- Διεύθυνση IP προεπιλεγμένης πύλης

Ο οδηγός εγκατάστασης εμφανίζει τις ακόλουθες πληροφορίες:


```
Welcome to Dell Easy Setup Wizard
```


```
The Setup Wizard guides you through the initial switch configuration,
and gets you up and running easily and quickly. You can also skip the
setup wizard, and enter CLI mode to manually configure the switch if
you prefer. You can exit the setup wizard any time by entering
{CNTRL+Z}. The system will prompt you with a default answer. By
pressing Enter, you accept the default value.
```

```
Would you like to skip the setup wizard? [Y/N] N
```

Εάν πληκτρολογήσετε [Y] (Ναι), ο οδηγός εγκατάστασης θα τερματιστεί. Εάν δεν απαντήσετε μέσα σε 60 δευτερόλεπτα, ο οδηγός εγκατάστασης θα τερματιστεί αυτόματα και θα εμφανιστεί η εντολή κονσόλας CLI.

Εάν πληκτρολογήσετε [N] (Όχι), ο οδηγός εγκατάστασης παρέχει αλληλεπιδραστική καθοδήγηση στην αρχική ρύθμιση παραμέτρων της συσκευής.

 **ΣΗΜΕΙΩΣΗ:** Μπορείτε να τερματίσετε τον οδηγό εγκατάστασης οποιαδήποτε στιγμή πιέζοντας το συνδυασμό πλήκτρων [CTRL+Z].

 **ΣΗΜΕΙΩΣΗ:** Εάν δεν απαντήσετε μέσα σε 60 δευτερόλεπτα σε οποιαδήποτε ερώτηση, ο οδηγός εγκατάστασης θα τερματιστεί αυτόματα. Σε αυτή την περίπτωση, καμία από τις αλλαγές σας δεν θα αποθηκευτεί.

## Βήμα 1 του οδηγού

Εμφανίζονται οι ακόλουθες πληροφορίες:

```
The system is not setup for SNMP management by default. To manage
the switch using SNMP (required for Dell Network Manager) you can:
```

- Setup the initial SNMP version 2 account now.
- Return later and setup the SNMP version account. (For more information on setting up a SNMP version 2 account, see the user documentation).

```
Would you like to setup the SNMP management interface now? [Y/N] Y
```

Πληκτρολογήστε [N] (Όχι), για να μεταβείτε στο βήμα 2.

Πληκτρολογήστε [Y] (Ναι), για να συνεχιστεί ο οδηγός εγκατάστασης. Εμφανίζονται οι ακόλουθες πληροφορίες:

```
To setup the SNMP management account you must specify the management
system IP address and the "community string" or password that the
particular management system uses to access the switch. The wizard
automatically assigns the highest access level [Privilege Level 15]
to this account. You can use Dell Network Manager or other management
interfaces to change this setting later, and to add additional
management system later. For more information on adding management
systems, see the user documentation.
```

```
To add a management station:
```

```
Please enter the SNMP community string to be used:[MYSETUPWIZARD] >>
Dell Network Manager
```

Πληκτρολογήστε τη διεύθυνση IP του συστήματος διαχείρισης (A.B.C.D) ή χαρακτήρα μπαλαντέρ (0.0.0.0) για διαχείριση από οποιονδήποτε σταθμό διαχείρισης, για παράδειγμα, 192.168.1.10. Πιέστε το πλήκτρο **Enter**.

## Βήμα 2 του οδηγού

Εμφανίζονται οι ακόλουθες πληροφορίες:

```
Now we need to setup your initial privilege (Level 15) user account.
This account is used to login to the CLI and Web interface. You may
setup other accounts and change privilege levels later. For more
information on setting up user accounts and changing privilege
levels, see the user documentation.
```

```
To setup a user account:
```

```
Please enter the user name:
```

```
Please enter the user password:
```

```
Please reenter the user password:
```

Πληκτρολογήστε τα ακόλουθα:

- Όνομα χρήστη, για παράδειγμα “admin”
- Κωδικό πρόσβασης και επιβεβαίωση κωδικού.



**ΣΗΜΕΙΩΣΗ:** Το σύστημα εμφανίζει ένα μήνυμα, εάν η πρώτη και η δεύτερη καταχώρηση κωδικού πρόσβασης δεν είναι όμοιες.

Πιέστε το πλήκτρο **Enter**.

## Βήμα 3 του οδηγού

Εμφανίζονται οι ακόλουθες πληροφορίες:

```
Next, an IP address is setup. The IP address is defined on the
default VLAN (VLAN #1), of which all ports are members. This is the
IP address you use to access the CLI, Web interface, or SNMP
interface for the switch.
```

```
To setup an IP address:
```

```
Please enter the IP address of the device (A.B.C.D):
```

```
Please enter the IP subnet mask (A.B.C.D or /nn):
```

Πληκτρολογήστε τη διεύθυνση IP και τη μάσκα δευτερεύοντος δικτύου IP, για παράδειγμα 192.168.1.100 ως διεύθυνση IP και 255.255.255.0 ως μάσκα δευτερεύοντος δικτύου IP.

Πιέστε το πλήκτρο **Enter**.

## Βήμα 4 του οδηγού

Εμφανίζονται οι ακόλουθες πληροφορίες:

```
Finally, setup the default gateway. Please enter the IP address
of the gateway from which this network is reachable
(e.g. 192.168.1.1):
```

Πληκτρολογήστε την προεπιλεγμένη πύλη.

Πιέστε το πλήκτρο **Enter**. Εμφανίζονται τα ακόλουθα (σύμφωνα με τις παραμέτρους του παραδείγματος που περιγράφεται):

```
This is the configuration information that has been collected:
SNMP Interface = "Dell Network Manager"@192.168.1.10
User Account setup = admin
Password = *****
Management IP address = 192.168.1.100 255.255.255.0
Default Gateway = 192.168.1.1
```

## Βήμα 5 του οδηγού

Εμφανίζονται οι ακόλουθες πληροφορίες:

```
If the information is correct, please select (Y) to save the
configuration, and copy to the start-up configuration file. If the
information is incorrect, select (N) to discard configuration and
restart the wizard: [Y/N]
```

Πληκτρολογήστε [N] (Όχι), για να γίνει επανεκκίνηση του οδηγού.

Πληκτρολογήστε [Y] (Ναι), για να ολοκληρωθεί ο οδηγός εγκατάστασης. Εμφανίζονται τα ακόλουθα:

```
Thank you for using Dell Easy Setup Wizard. You will now enter CLI
mode.
```

## Βήμα 6 του οδηγού

Εμφανίζεται η εντολή CLI. Συμβουλευτείτε τον *Οδηγό Χρήσης των συστημάτων της σειράς PowerConnect 5400* για περισσότερες πληροφορίες.






Dell™ PowerConnect™ 54xx

システム

はじめに

## メモ、注意、警告

-  **メモ**：コンピュータを使いやすくするための重要な情報を説明しています。
-  **注意**：ハードウェアの損傷やデータの損失の可能性を示し、その危険を回避するための方法を説明しています。
-  **警告**：物的損害、けが、または死亡の原因となる可能性があることを示しています。

---

本書の内容は予告なく変更されることがあります。  
© 2007 すべての著作権は Dell Inc. にあります。

Dell Inc. の書面による許可のない複製は、いかなる形態においても厳重に禁じられています。

本書に使用されている商標：Dell、Dell OpenManage、DELL ロゴ、Inspiron、Dell Precision、Dimension、OptiPlex、PowerConnect、PowerApp、PowerVault、Axim、DellNet、および Latitude は Dell Inc. の商標です。Microsoft、Windows、Windows Server、および Windows Vista は米国その他の国における Microsoft Corporation の商標または登録商標です。

本書では、必要に応じて上記以外の商標や会社名が使用されている場合がありますが、それらの商標や会社名は、一切 Dell Inc. に帰属するものではありません。



# 目次

<b>1 設置</b>	
<b>概要</b> . . . . .	<b>113</b>
<b>設置場所の準備</b> . . . . .	<b>113</b>
設置場所の要件 . . . . .	113
<b>開梱</b> . . . . .	<b>114</b>
パッケージの内容 . . . . .	114
デバイスの開梱 . . . . .	114
<b>2 デバイスの設置</b>	
<b>概要</b> . . . . .	<b>115</b>
デバイスのラックへの取り付け . . . . .	115
平らな場所への設置 . . . . .	116
壁面への設置 . . . . .	116
デバイスの電源への接続 . . . . .	117
<b>3 デバイスの起動と設定</b>	
<b>ターミナルとデバイスの接続</b> . . . . .	<b>119</b>
<b>スイッチの起動</b> . . . . .	<b>121</b>
<b>初期設定</b> . . . . .	<b>121</b>



# 設置

## 概要

本書は、PowerConnect 5400 シリーズスイッチの設置と起動に関する基本的な情報を提供しています。詳細については、Dell PowerConnect 5400 シリーズの『ユーザズガイド』を参照してください。『ユーザズガイド』は『Documentation CD』に収録されています。また、デルサポートサイト [www.support.dell.com](http://www.support.dell.com) でマニュアルとソフトウェアの最新のアップデートを参照してください。

## 設置場所の準備

### 設置場所の要件

PowerConnect 5400 シリーズは、標準の 19 インチ (48.26 cm) ラックまたはテーブルの上に設置できます。ユニットを設置する前に、設置場所が以下の要件を満たしていることを確認します。

- **電源** — ユニットの電源ケーブルが届く範囲内に AC 100 ~ 250 V、50 / 60 Hz のコンセントがあること。たとえば、RPS とフェーズされた別の電源のように、できれば 2 つの別々の電源ユニットを使用することをお勧めします。
- **一般** — 前面パネルの LED が点灯しているか点検し、電源ユニットが正しく取り付けられていることを確認します。
- **クリアランス** — 前面に作業に十分な空間があることを確認します。ケーブル配線、電源接続、および換気用の空間を確保してください。
- **ケーブル配線** — 無線機、通信用の増幅器、電力線、蛍光灯取り付け器具などの電氣的ノイズの発生源を避けて、ケーブルが配線されていること。
- **環境要件** — 動作時の周囲環境は温度範囲 0 ~ 45 °C で、相対湿度は 10 ~ 90 パーセントです (結露しないこと)。

## 開梱

### パッケージの内容

デバイスの梱包を解き、以下の同梱品が揃っていることを確認します。

- デバイス/スイッチ
- AC 電源ケーブル
- RS-232 クロスケーブル
- 粘着ゴムパッド
- ラック取り付けキット（ラック取り付け用）
- マニュアル CD

### デバイスの開梱



**メモ：**デバイスを開梱する前にパッケージを点検し、損傷がある場合はすぐにご連絡ください。

- 1 箱を整頓された平らな面に置き、箱を締めているすべてのストラップを切ります。
- 2 箱を開けるか、箱の上部を取り外します。
- 3 ユニットを箱から慎重に取り出し、安全で整頓された場所に置きます。
- 4 すべての梱包材を取り除きます。
- 5 製品に損傷がないか点検します。損傷がある場合は、すぐにご連絡ください。

# デバイスの設置

## 概要

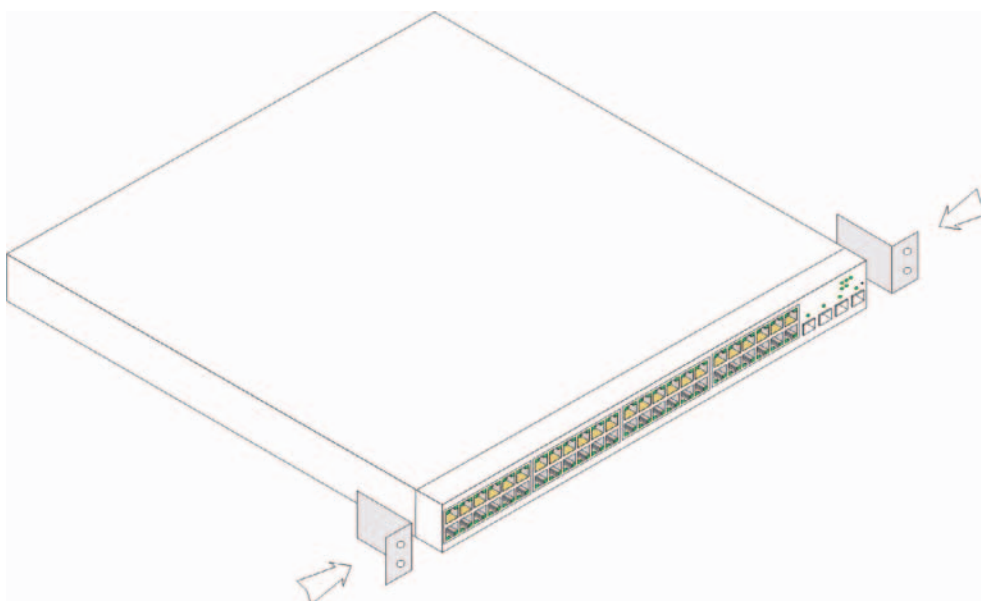
PowerConnect 5400 シリーズのスイッチは、以下に説明する手順で設置します。デバイスの電源コネクタは背面パネルにあります。RPS（冗長電源）はオプションですが、取り付けることをお勧めします。RPS のコネクタはデバイスの背面パネルにあります。

### デバイスのラックへの取り付け

- ⚠ **警告：**『製品情報ガイド』の安全情報、およびスイッチに接続する、またはスイッチをサポートするその他の装置に関する安全情報をお読みください。
- ⚠ **警告：**デバイスをラックまたはキャビネットに取り付ける前に、デバイス本体からすべてのケーブルを外してください。
- ⚠ **警告：**複数のデバイスはラックの下から上の順に取り付けます。

- 1 付属のラック取り付けブラケットを、デバイスのネジ穴とラック取り付けブラケットの取り付け穴の位置を揃えながら、デバイス一方の側面に取り付けます。ブラケットの取り付け位置は、次の図を参照してください。

図 2-1 ラック取り付けのためのブラケットの取り付け



- 2 付属のネジをブラケットの取り付け穴に挿入してドライバで締め付けます。
- 3 この手順を繰り返して、ラック取り付けブラケットをデバイスのもう一方の側面にも取り付けます。
- 4 デバイスのラック取り付け穴とラックの取り付け穴の位置を揃えて、デバイスを 48.26 cm のラックに挿入します。
- 5 ラック用のネジ（別売）を使用してデバイスをラックに固定します。ブラケットの下側のネジを上側よりも先に締め付けます。通気孔がふさがれていないことを確認します。

## 平らな場所への設置

ラックを使用しない場合、このデバイスは水平面に設置してください。設置面はデバイスとケーブルの重量に耐えられる必要があります。

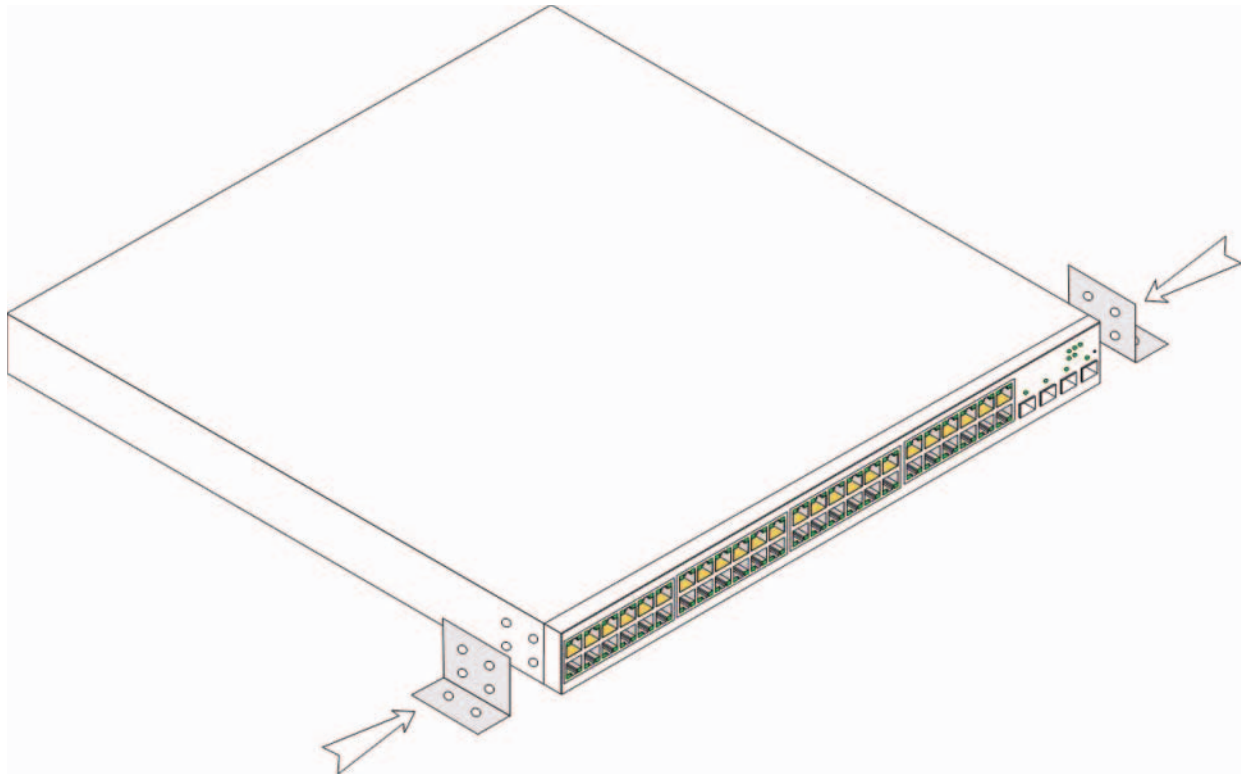
- 1 シャーシ底面の印がある位置にゴム製の脚を取り付けます。
- 2 両側に約 5 cm ずつ、背面に約 13 cm の隙間を確保して、デバイスを水平面に置きます。
- 3 デバイスの通気が確保されていることを確認します。

## 壁面への設置

スイッチを壁に設置するには、以下の手順を実行します。

- 1 設置場所が以下の要件を満たしていることを確認します。
  - 壁面にスイッチを支えることのできる強度が必要です。
  - 左右両側に通気用の空間を 5 cm 以上、背面に電源ケーブル取り付け用の空間を 13 cm 以上確保します。
  - 直射日光が当たる場所には設置しないでください。
  - 熱を発するものはすべて、設置場所から 60 cm 以上離れている必要があります。また、暖房器具などの温風を向けることも避けてください。
  - 発熱を防止するために、設置場所の換気を確保してください。
  - スイッチをデータケーブルや電気ケーブルの近くに設置しないでください。
  - 電源ケーブルがコンセントに届く必要があります。
- 2 取り付けブラケットを付属のネジでスイッチの両側に取り付けます（次の図を参照）。

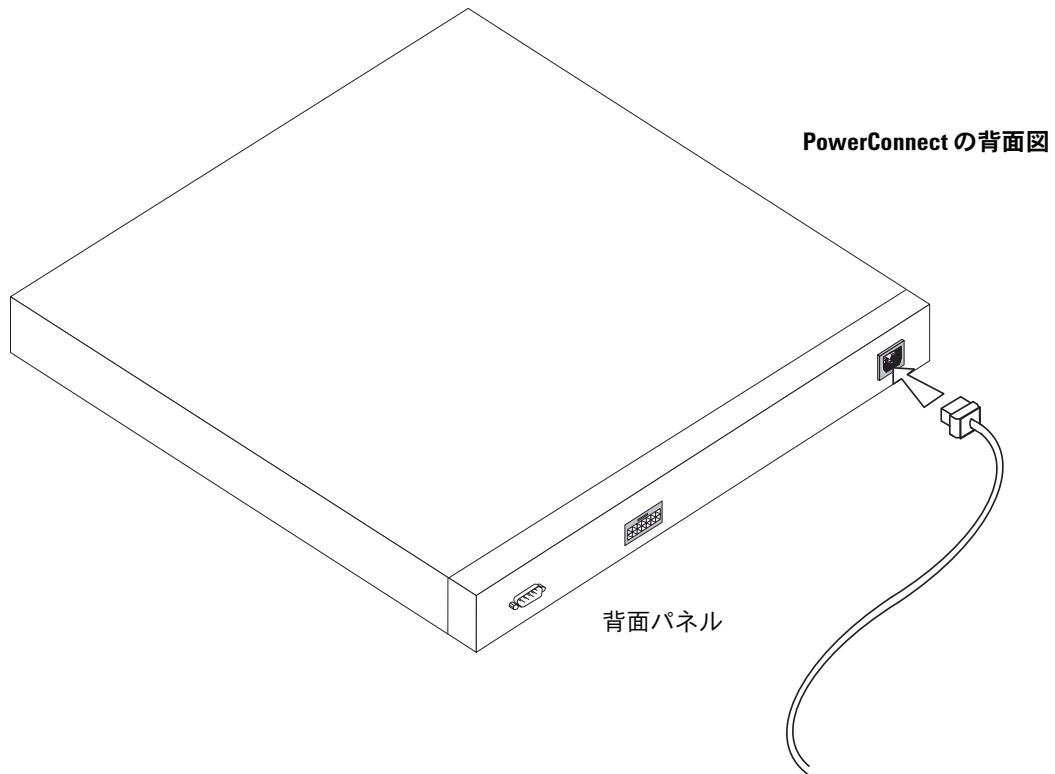
図 2-2 壁面設置用ブラケットの取り付け



### デバイスの電源への接続

- 1 付属の AC 電源ケーブルを背面パネルの AC コネクタに接続します。
- 2 この段階では、AC 電源ケーブルはまだ電源コンセントに接続しないでください。デバイスの電源コンセントへの接続は、「デバイスの起動と設定」で説明する手順で行います。

図 2-3 電源ユニットへの接続





- 3 デバイスが接続され正しく動作していることを、前面パネルの LED で確認します。



## デバイスの起動と設定

すべての外部接続の完了後、ターミナルをこのデバイスに接続してデバイスの設定を行います。詳細な機能の実行については、マニュアルの CD に収録されている Dell PowerConnect 5400 の『ユーザーズガイド』を参照してください。

 **メモ：**以下の手順を実行する前に本製品のリリースノートをお読みください。リリースノートは <http://support.dell.com> からダウンロードしてください。

 **メモ：**ユーザー関連のマニュアルは、デルサポートサイト <http://support.dell.com> から最新版を入手されるようお勧めします。

## ターミナルとデバイスの接続

このデバイスには、ターミナルデバイスとしてデバイスの監視と設定を行うためのターミナルエミュレーションソフトウェアを実行するデスクトップシステムに接続するためのコンソールポートが装備されています。コンソールポートコネクタは、データ端末デバイス (DTE) への接続を行うための DB-9 オスコネクタです。

コンソールポートを利用するには、次のハードウェアが必要です。

- VT100 互換のターミナル、または VT100 ターミナルエミュレーションソフトウェアを実行している、シリアルポートが装備されたデスクトップまたはポータブルコンピュータ
- コンソールポートとターミナルの適切なコネクタとを接続する DB-9 メスコネクタ付きの RS-232 クロスケーブル

このデバイスのコンソールポートにターミナルを接続するには、次の手順を実行します。

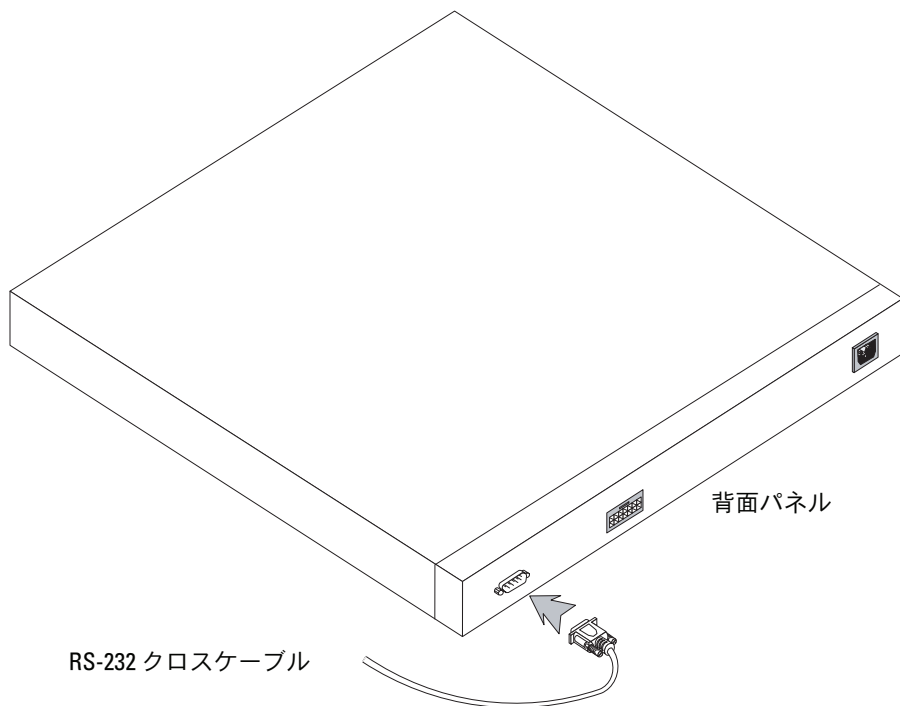
- 1 付属の RS-232 クロスケーブルを VT100 ターミナルエミュレーションソフトウェアを実行しているターミナルに接続します。
- 2 ターミナルエミュレーションソフトウェアは次のように設定します。
  - a コンソールに接続する適切なシリアルポートを選択します (シリアルポート 1 またはシリアルポート 2)。
  - b データ速度を 9600 ボーに設定します。
  - c データ形式を、データビット 8、ストップビット 1、パリティなしに設定します。

- d フロー制御をなしに設定します。
- e Properties (プロパティ) で VT100 for Emulation (エミュレーション VT100) モードを選択します。
- f Function, Arrow, and Ctrl keys (ファンクション、矢印、および Ctrl キー) に Terminal keys (ターミナルキー) を設定します。設定が Windows keys (Windows キー) ではなく Terminal keys (ターミナルキー) であることを確認します。

➡ **注意：** Microsoft® Windows 2000、Windows XP、または Windows Vista™ でハイパーターミナルを使用する場合は、最新のサービスパックがインストールされていることを確認してください。Windows 2000 Service Pack 2 を使用すると、ハイパーターミナルの VT100 エミュレーションで矢印キーが正しく機能します。Windows 2000、Windows XP、および Windows Vista のサービスパックの詳細については、[www.microsoft.com](http://www.microsoft.com) を参照してください。

- 3 マスターユニットまたはスタンドアロンデバイスのコンソールポートに RS-232 クロスケーブルのメスのコネクタを直接接続し、拘束ネジを締めます。PowerConnect 5400 シリーズのコンソールポートは、背面パネルにあります。

図 3-1 PowerConnect 5400 シリーズのコンソールポートへの接続



## スイッチの起動

スイッチは次の手順で起動します。

- 1 デバイスのコンソールポートが RS-232 クロスケーブルを介して VT100 ターミナルデバイスまたは VT100 ターミナルエミュレータに接続されていることを確認します。
- 2 AC 電源ソケットの位置を確認します。
- 3 AC 電源ソケットを無効にします。
- 4 デバイスを AC 電源ソケットに接続します。
- 5 AC 電源ソケットを有効にします。

スイッチは、ローカルターミナルを接続した状態で電源を入れると、電源投入時の自己診断 (POST) を実行します。POST はデバイスの初期化のたびに実行され、完全に起動する前にハードウェアコンポーネントをテストして、デバイスが正常に動作することを確認します。重大な問題が検出されると POST プログラムは中断します。POST が正常に完了すると、有効な実行可能イメージが RAM にロードされます。テストが正常に完了したか失敗したかを知らせる POST メッセージがターミナルに表示されます。

起動処理は約 90 秒で完了します。

## 初期設定



**メモ：**以下の手順を実行する前に本製品のリリースノートをお読みください。リリースノートは、デルサポートサイト <http://support.dell.com> からダウンロードできます。



**メモ：**単純な初期設定は、次のことを前提に実行されます。

- PowerConnect デバイスがこれまで設定されたことがなく、工場出荷時の状態のままであること。
- PowerConnect デバイスが正常に起動していること。
- コンソールへの接続が確立されていて、コンソールプロンプトが VT100 ターミナルデバイスの画面に表示されること (プロンプトが正しく表示されるのを確認するには、<Enter> キーを数回押します)。

デバイスの初期設定はシリアルポート経由で行います。初期設定が完了すれば、接続済みのシリアルポートまたは初期設定時に定義したインタフェースを介してデバイスを管理することができます。

デバイスが初めて起動するとき、またはデバイスが設定されていないために設定ファイルが空である場合、セットアップウィザードの使用を指示するプロンプトが表示されます。セットアップウィザードの指示に従ってデバイスの初期設定を行えば、デバイスをすぐに動作可能な状態にすることができます。



**メモ：**デバイスを設定する前に、ネットワーク管理者から以下の情報を入手してください。

- SNMP コミュニティストリングおよび SNMP 管理システムの IP アドレス (オプション)。
- ユーザー名とパスワード。
- デバイスを管理するための VLAN 1 インタフェースに割り当てる IP アドレス (デフォルトでは、すべての外部ポートと内部ポートは VLAN 1 のメンバーです)。
- ネットワークの IP サブネットマスク。
- デフォルトルートを設定するデフォルトゲートウェイ (ネクストホップルーター) の IP アドレス。

セットアップウィザードの指示に従ってスイッチの初期設定を行えば、システムをすぐに動作可能な状態にすることができます。セットアップウィザードの使用を省略して、デバイスの CLI モードでスイッチを手動で設定することも可能です。CLI を使用してデバイスを設定する方法については、PowerConnect 5400 シリーズの『ユーザズガイド』を参照してください。

セットアップウィザードにより、以下のフィールドが設定されます。

- SNMP コミュニティストリングおよび SNMP 管理システムの IP アドレス (オプション)
- ユーザー名とパスワード
- デバイスの IP アドレス
- IP サブネットマスク
- デフォルトゲートウェイの IP アドレス

セットアップウィザードにより、以下の情報が表示されます。

```
Welcome to Dell Easy Setup Wizard
```

```
The Setup Wizard guides you through the initial switch configuration,
and gets you up and running easily and quickly. You can also skip
the setup wizard, and enter CLI mode to manually configure the switch
if you prefer. You can exit the setup wizard any time by entering
{CNTRL+Z}. The system will prompt you with a default answer.
By pressing Enter, you accept the default value.
```

```
Would you like to skip the setup wizard? [Y/N] N
```

<Y> を押すと、セットアップウィザードは終了します。60 秒以内に応答しなかった場合、セットアップウィザードは自動的に終了し、CLI コンソールプロンプトが表示されます。

<N> を押すと、セットアップウィザードの指示に従ってデバイスの初期設定を行うことができます。



**メモ**：セットアップウィザードは <Ctrl+Z> を押せばいつでも終了できます。



**メモ**：どのプロンプトに対しても 60 秒以内に応答しなかった場合、セットアップウィザードは自動的に終了します。その場合、変更はどれも保存されません。

## ウィザード手順 1

以下の情報が表示されます。

```
The system is not setup for SNMP management by default. To manage
the switch using SNMP (required for Dell Network Manager) you can:
```

- Setup the initial SNMP version 2 account now.
- Return later and setup the SNMP version account. (For more information on setting up a SNMP version 2 account, see the user documentation).

```
Would you like to setup the SNMP management interface now? [Y/N] Y
```

省略して手順 2 に進むには、<N> を押します。

セットアップウィザードを続行するには、<Y> を押します。以下の情報が表示されます。

```
To setup the SNMP management account you must specify the management
system IP address and the "community string" or password that the
particular management system uses to access the switch. The wizard
automatically assigns the highest access level [Privilege Level 15]
to this account. You can use Dell Network Manager or other management
interfaces to change this setting later, and to add additional
management system later. For more information on adding management
systems, see the user documentation.
```

```
To add a management station:
```

```
Please enter the SNMP community string to be used:[MYSETUPWIZARD] >>
Dell Network Manager
```

いずれかの **Management Station** から管理する場合は、管理システムの IP アドレス (A.B.C.D) またはワイルドカード (0.0.0.0) を入力します (たとえば、192.168.1.10)。**Enter** を押します。

## ウィザード手順 2

以下の情報が表示されます。

```
Now we need to setup your initial privilege (Level 15) user account.
This account is used to login to the CLI and Web interface. You may
setup other accounts and change privilege levels later. For more
information on setting up user accounts and changing privilege
levels, see the user documentation.
```

```
To setup a user account:
```

```
Please enter the user name:
```

```
Please enter the user password:
```

```
Please reenter the user password:
```

以下の入力を行います。

- ユーザー名は、たとえば「admin」と入力します。
- パスワードを入力し、確認のためにもう一度入力します。



**メモ**：1回目と2回目に入力したパスワードが同一でない場合、プロンプトが表示されます。

**Enter** を押します。

### ウィザード手順 3

以下の情報が表示されます。

```
Next, an IP address is setup. The IP address is defined on the
default VLAN (VLAN #1), of which all ports are members. This is
the IP address you use to access the CLI, Web interface, or SNMP
interface for the switch.
```

```
To setup an IP address:
```

```
Please enter the IP address of the device (A.B.C.D):
```

```
Please enter the IP subnet mask (A.B.C.D or /nn):
```

IP アドレスと IP サブネットマスクを入力します。たとえば、**192.168.1.100** を IP アドレス、**255.255.255.0** を IP サブネットマスクとして入力します。

**Enter** を押します。

### ウィザード手順 4

以下の情報が表示されます。

```
Finally, setup the default gateway. Please enter the IP address
of the gateway from which this network is reachable
(e.g. 192.168.1.1):
```

デフォルトゲートウェイを入力します。

**Enter** を押します。以下のメッセージが表示されます（例として使われているパラメータによる）。

```
This is the configuration information that has been collected:
```

```
SNMP Interface = "Dell Network Manager"@192.168.1.10
```

```
User Account setup = admin
```

```
Password = *****
```

```
Management IP address = 192.168.1.100 255.255.255.0
```

```
Default Gateway = 192.168.1.1
```

## ウィザード手順 5

以下の情報が表示されます。

```
If the information is correct, please select (Y) to save the
configuration, and copy to the start-up configuration file. If the
information is incorrect, select (N) to discard configuration and
restart the wizard: [Y/N]
```

省略してウィザードを再起動するには、<N> を押します。

セットアップウィザードを完了するには、<Y> を押します。以下のメッセージが表示されます。

```
Thank you for using Dell Easy Setup Wizard. You will now enter CLI
mode.
```

## ウィザード手順 6

CLI プロンプトが表示されます。詳細については、PowerConnect 5400 シリーズの『ユーザズガイド』を参照してください。








# Dell™ PowerConnect™ 54xx 시스템

## 시작 안내서

## 주, 주의사항 및 주의

-  **참고:** i주이는 컴퓨터를 보다 효율적으로 사용하는데 도움이 되는 중요 정보를 제공합니다.
-  **주의사항:** i주의사항은 하드웨어의 손상 또는 데이터 유실 위험을 설명하며, 이러한 문제를 방지할 수 있는 방법을 알려줍니다.
-  **주의:** i주의이는 재산상의 피해나 심각한 부상 또는 사망을 유발할 수 있는 위험이 있음을 나타냅니다.

---

본 설명서에 수록된 정보는 사전 통보 없이 변경될 수 있습니다.

© 2007 Dell Inc. 저작권 본사 소유.

어떠한 경우에도 Dell Inc.의 사전 승인 없이 무단 복제하는 행위는 엄격하게 금지되어 있습니다.

본 설명서에 사용된 상표인 *Dell*, *Dell OpenManage*, *DELL* 로고, *Inspiron*, *Dell Precision*, *Dimension*, *OptiPlex*, *PowerConnect*, *PowerApp*, *PowerVault*, *Axim*, *DellNet* 및 *Latitude*는 Dell Inc.의 상표이며, *Microsoft*, *Windows*, *Windows Server* 및 *Windows Vista*는 미국 및 기타 국가에서 Microsoft Corporation의 상표 또는 등록 상표입니다.

본 설명서에서 특정 회사의 표시나 제품 이름을 지칭하기 위해 기타 상표나 상호를 사용할 수도 있습니다. Dell Inc.는 자사가 소유하고 있는 것 이외에 기타 모든 등록 상표 및 상표 이름에 대한 어떠한 소유권도 보유하지 않습니다.

# 차례

1	설치	
	<b>개요</b> . . . . .	<b>131</b>
	<b>설치 사이트 준비</b> . . . . .	<b>131</b>
	사이트 요구 사항 . . . . .	131
	<b>포장 풀기</b> . . . . .	<b>132</b>
	패키지 내용물 . . . . .	132
	장치 포장 풀기 . . . . .	132
2	장치 탑재	
	<b>개요</b> . . . . .	<b>133</b>
	장치 랙 설치 . . . . .	133
	평평한 곳에 설치 . . . . .	134
	벽에 설치 . . . . .	134
	장치를 전원 공급 장치에 연결 . . . . .	135
3	장치 시작 및 구성	
	<b>터미널을 장치에 연결</b> . . . . .	<b>137</b>
	<b>스위치 부팅</b> . . . . .	<b>138</b>
	<b>초기 구성</b> . . . . .	<b>139</b>



# 설치

## 개요

본 설명서에서는 PowerConnect 5400 시리즈 스위치의 설치 및 실행에 대한 기본 정보에 대해 설명합니다. 자세한 내용은 Dell™ PowerConnect™ 5400 시리즈 사용 설명서(설명서 CD에 수록됨)를 참조하십시오. 설명서 및 소프트웨어에 대한 최신 업데이트는 Dell 지원 웹 사이트([www.support.dell.com](http://www.support.dell.com))에서 확인하십시오.

## 설치 사이트 준비

### 사이트 요구 사항

PowerConnect 5400 시리즈 장치는 표준 19인치(48.26 cm) 장비 랙이나 테이블 위에 장착할 수 있습니다. 장치를 설치하기 전에 선택한 설치 장소가 다음의 사이트 요구 사항을 충족하는지 확인하십시오.

- **전원** - 본 장치를 쉽게 접근 가능한 100-250VAC, 50-60Hz 콘센트 가까이에 설치합니다. 예를 들어, RPS 및 별도의 공급 장치와 같이 2개의 전원 공급 장치가 별도로 제공됩니다.
- **일반** - 전면 패널의 LED가 켜져 있으면 전원 공급 장치가 올바르게 설치된 것입니다.
- **여유 공간** - 전면에 작업자가 접근할 수 있는 적절한 여유 공간이 확보되어야 합니다. 케이블, 전원 연결 및 통풍을 위한 여유 공간도 확보하십시오.
- **케이블 연결** - 무선 송신기, 브로드캐스트 증폭기, 전선 및 형광 등기구와 같은 전기적 잡음의 원인이 될 수 있는 물체를 피해 케이블을 연결합니다.
- **주변 요구사항** - 주변 장치의 작동 온도 범위는 최대 10% ~ 95%의 비응축 상대 습도에서 0 ~ 45°C (32 ~ 113°F)입니다.


## 포장 풀기

### 패키지 내용물

장치의 포장을 풀면서 다음 항목이 들어 있는지 확인하십시오.

- 장치/스위치
- AC 전원 케이블
- RS-232 크로스 케이블
- 접착성 고무 패드
- 랙 설치용 랙 장착 키트
- 설명서 CD

### 장치 포장 풀기

 **참고:** 장치의 포장을 풀기 전에 포장재를 살펴보고 파손된 흔적이 발견되면 즉시 알려주십시오.

- 1 깨끗하고 평평한 곳에 포장 용기를 놓고 포장 용기 보호용 끈을 모두 자르십시오.
- 2 포장 용기를 열거나 포장 용기 덮개를 제거하십시오.
- 3 포장 용기에서 조심스럽게 장치를 꺼내 안전하고 깨끗한 곳에 놓으십시오.
- 4 포장을 모두 제거하십시오.
- 5 제품이 손상되지 않았는지 살펴보십시오. 파손된 흔적이 발견되면 즉시 알려주십시오.

## 장치 탑재

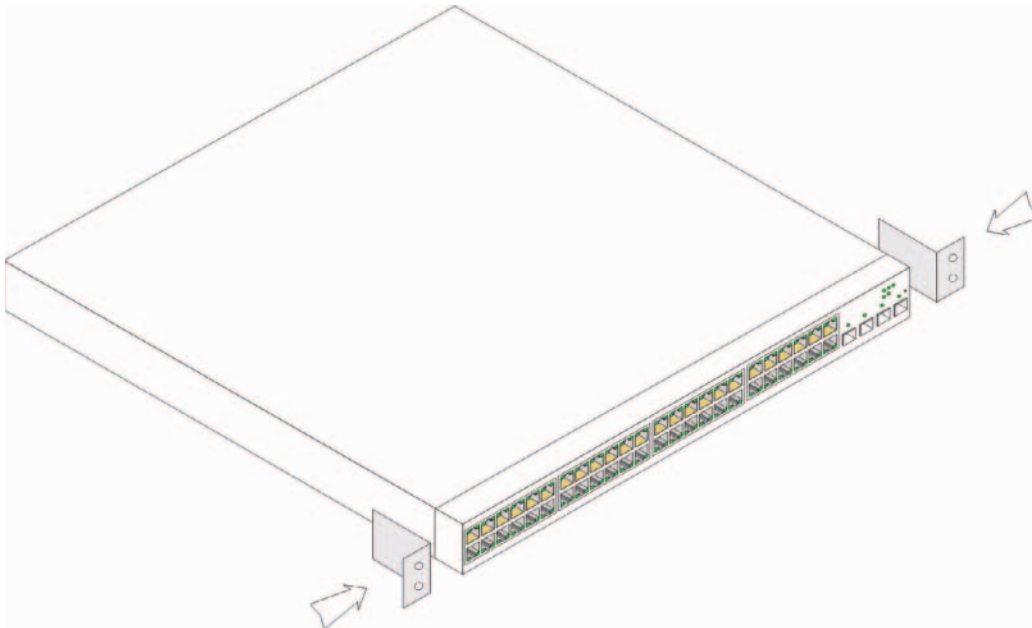
### 개요

다음의 탑재 지침은 PowerConnect 5400 시리즈 스위치에 적용됩니다. 장치용 전원 커넥터는 후면 패널에 위치하고 있습니다. RPS (Redundant Power Supply) 연결은 선택 사양이지만 권장 사항입니다. RPS 커넥터는 장치의 후면 패널에 위치하고 있습니다.

### 장치 랙 설치

- ⚠ **주의** : 제품 정보 안내의 안전 정보와 스위치에 연결되거나 스위치를 지원하는 다른 장치에 대한 안전 정보를 읽으십시오.
  - ⚠ **주의** : 장치를 랙 또는 캐비닛에 탑재하기 전에 장치에서 모든 케이블을 분리하십시오.
  - ⚠ **주의** : 여러 장치를 랙에 장착하는 경우 상향식 (아래에서 위 방향) 으로 장치를 장착하십시오.
- 1 제공된 랙 장착 브래킷을 장치의 한 쪽 면에 대고 장치의 장착 구멍과 랙 장착 브래킷의 장착 구멍을 맞추십시오. 다음 그림은 브래킷을 장착할 위치를 보여줍니다.

그림 2-1. 랙 장착용 브래킷 설치



- 2 제공된 나사를 랙 장착 구멍에 끼우고 드라이버로 조이십시오.
- 3 장치 반대 편에도 똑같이 브래킷을 대고 나사를 끼워 조이십시오.
- 4 장치의 랙 장착 구멍과 랙에 있는 장착 구멍을 맞춰서 장치를 19인치(48.26 cm)의 랙 안으로 삽입 하십시오.
- 5 랙 나사(미제공)를 사용하여 장치를 랙에 고정시키십시오. 먼저 아래쪽에 나사 한 쌍을 조인 후 위 쪽에 나사 한 쌍을 조이십시오. 환풍구가 막히지 않도록 주의하십시오.

## 평평한 곳에 설치

장치를 랙에 설치하지 않으면 평평한 곳에 설치해야 합니다. 장치와 케이블의 무게를 지탱할 수 있는 곳에 놓아야 합니다.

- 1 장치의 새시 바닥에 표시된 각 위치에 고무 다리를 장착하십시오.
- 2 장치를 좌우로 2인치(5.08 cm), 뒤로 5인치(12.7 cm) 정도 여유 공간을 두어 평평한 곳에 설치하십시오.
- 3 장치의 통풍이 잘 되도록 하십시오.

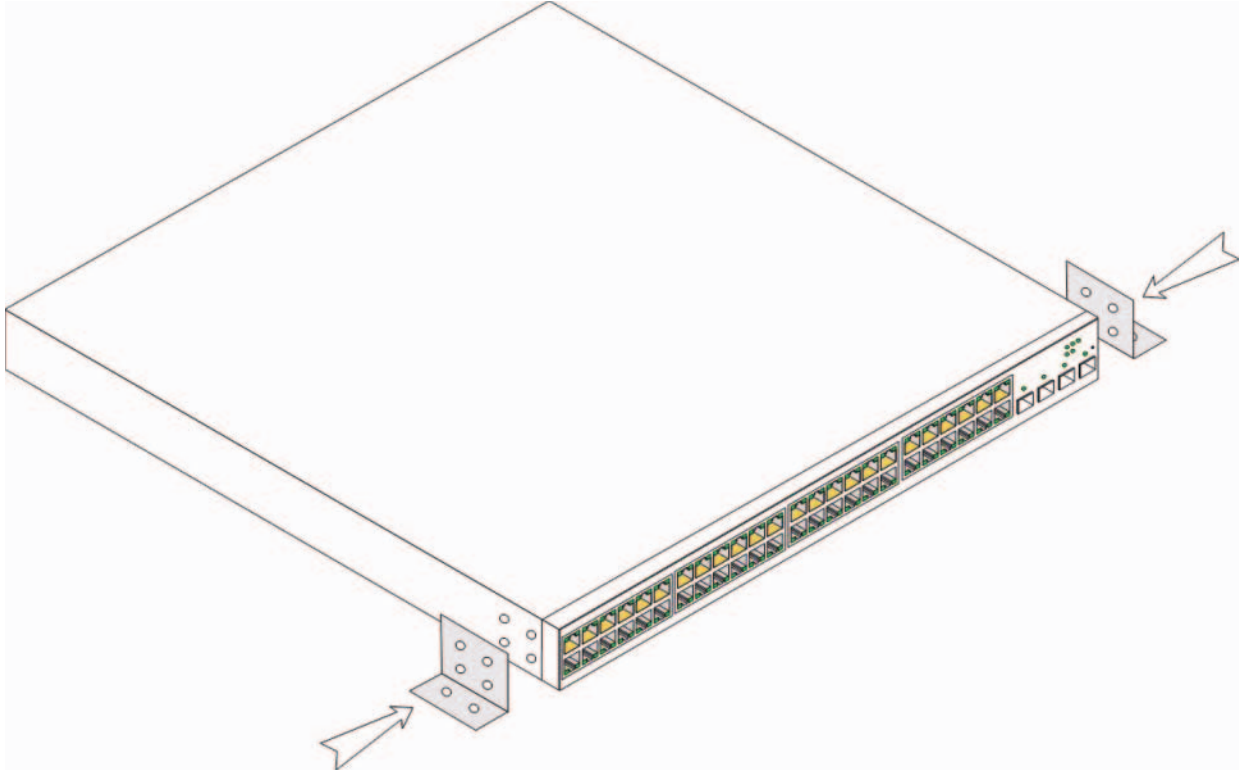
## 벽에 설치

다음 절차에 따라 벽에 스위치를 장착합니다.

- 1 설치 위치가 다음의 요구 사항을 충족하는지 확인하십시오.
  - 벽의 표면이 스위치를 지지할 수 있어야 합니다.
  - 통풍이 잘 되도록 양 측면에 최소 5.1 cm (2 인치), 전원 케이블 여유 공간으로 후면에 12.7 cm (5 인치)의 공간을 확보하십시오.
  - 설치 위치에는 직사 광선이 닿지 않아야 합니다.
  - 설치 위치는 온풍기나 전열기로부터 최소 2 피트 떨어져 있어야 하며 어떠한 전열 기구도 장치 쪽으로 향해서 열을 발산해서는 안 됩니다.
  - 설치 장소에 통풍이 잘 되어야만 과열을 방지할 수 있습니다.
  - 데이터 또는 전기 케이블 연결 부근에 스위치를 위치시키지 마십시오.
  - 전원 케이블이 콘센트까지 연결될 수 있어야 합니다.
- 2 제공된 나사를 사용하여 스위치의 양 옆에 장착 브래킷을 고정시키십시오. 다음 그림을 참조하십시오.



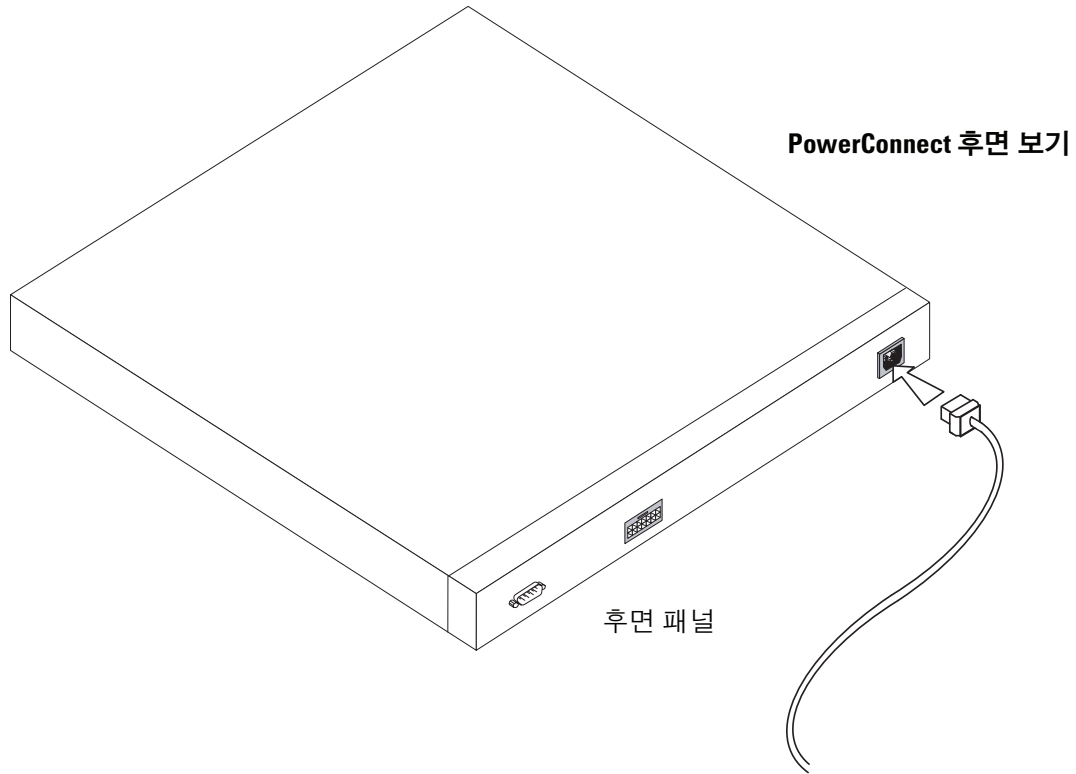
그림 2-2. 벽면 부착용 브래킷 설치



### 장치를 전원 공급 장치에 연결

- 1 제공된 AC 전원 케이블을 후면 패널에 있는 AC 커넥터에 연결하십시오.
- 2 이때 전원 케이블을 접지된 AC 콘센트에 연결하지 마십시오. 장치 시작 및 구성 부분에 자세히 설명된 절차에 따라 장치를 전원에 연결하십시오.


그림 2-3. 전원 공급 장치에 연결




- 3 전면 패널의 LED를 살펴보고 장치가 연결되어 있으며 올바르게 작동 중인지 확인 합니다.

## 장치 시작 및 구성

모든 외부 연결을 완료했으면 장치 구성을 위해 터미널을 장치에 연결하십시오. 추가 고급 기능 수행에 대한 내용은 설명서 CD의 *Dell™ PowerConnect™ 5400 사용 설명서*를 참조하십시오.

 **참고:** 진행하기 전에 이 제품의 릴리즈 노트를 확인하십시오. 릴리즈 노트는 <http://support.dell.com>에서 다운로드할 수 있습니다.

 **참고:** Dell 지원 웹 사이트(<http://support.dell.com>)에서 최신 사용 설명서를 구하시는 것이 좋습니다.

### 터미널을 장치에 연결


이 장치는 터미널 데스크탑 시스템에 연결할 수 있는 콘솔 포트를 제공합니다. 터미널 데스크탑 시스템은 장치 모니터링 및 구성을 위한 터미널 에뮬레이션 소프트웨어를 실행합니다. 콘솔 포트 커넥터는 DB-9 커넥터이며 DTE (Data Terminal Equipment) 커넥터로 구현됩니다.

콘솔 포트를 사용하려면 다음 항목이 필요합니다.

- VT100 호환 터미널 또는 VT100 터미널 에뮬레이션 소프트웨어를 실행하고 직렬 포트가 장착된 데스크탑 또는 휴대용 시스템
- 콘솔 포트용 DB-9 암 커넥터와 터미널용 커넥터가 있는 RS-232 크로스 케이블

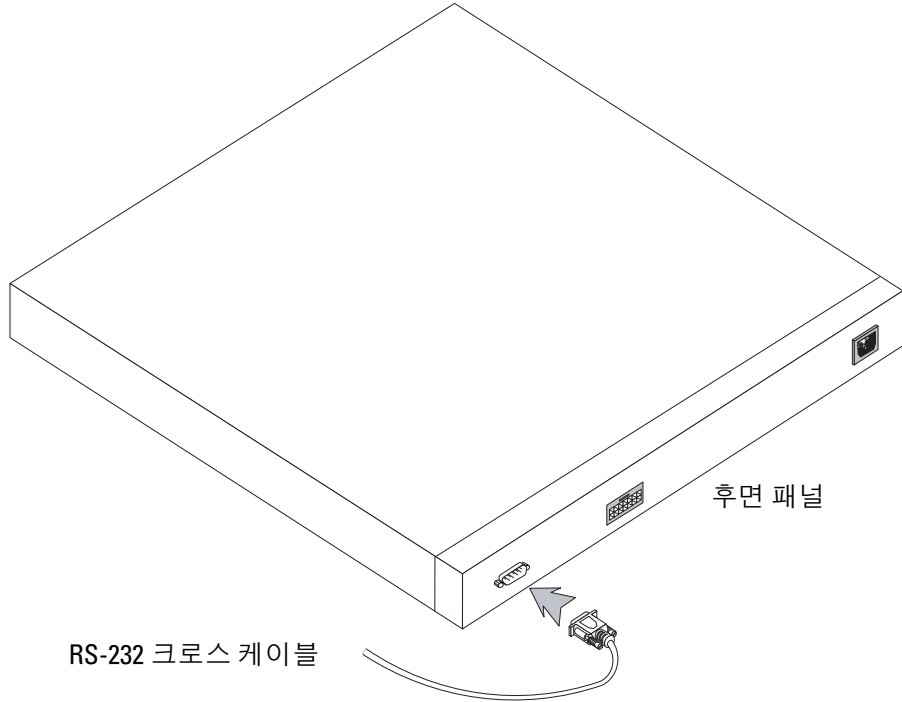
터미널을 장치 콘솔 포트에 연결하려면 다음 작업을 완료하십시오.

- 1 VT100 터미널 소프트웨어를 실행하는 터미널에 제공된 RS-232 크로스 케이블을 연결합니다.
- 2 터미널 에뮬레이션 소프트웨어를 다음과 같이 설정해야 합니다.
  - a 콘솔에 연결할 적당한 직렬 포트 ( 직렬 포트 1 또는 직렬 포트 2) 를 선택합니다.
  - b 데이터 속도를 9600 보드로 설정합니다.
  - c 데이터 형식을 8 데이터 비트, 1 정지 비트, 패리티 없음으로 설정합니다.
  - d 흐름 제어를 없음으로 설정하십시오.
  - e 속성에서 에뮬레이션용 VT100 모드를 선택합니다.
  - f 기능키, 화살표 키 및 Ctrl 키용 터미널 키를 선택합니다. 터미널 키로 설정되어 있는지 확인하십시오 (Windows 키가 아님).

 **주의사항:** Microsoft® Windows 2000, Windows XP 또는 Windows Vista™ t에서 하이퍼터미널을 사용할 경우 최신 서비스 팩이 설치되어 있는지 확인하십시오. Windows 2000 서비스 팩 2를 설치하면 하이퍼터미널의 VT100 에뮬레이션에서 화살표 키가 올바르게 작동합니다. Windows 2000, Windows XP 및 Windows Vista 서비스 팩에 대한 자세한 내용은 [www.microsoft.com](http://www.microsoft.com)을 방문하십시오.

- 3 RS-232 크로스 케이블의 암 커넥터를 마스터 장치/독립 실행형 장치의 콘솔 포트에 직접 연결한 후 고정 나사를 조입니다. PowerConnect 5400 시리즈 콘솔 포트는 후면 패널에 있습니다.

그림 3-1. PowerConnect 5400 시리즈 콘솔 포트에 연결



## 스위치 부팅


스위치를 부팅하려면 다음을 수행하십시오.


- 1 장치 콘솔 포트가 RS-232 크로스 케이블을 통해 VT100 터미널 장치 또는 VT100 터미널 애플리케이션에 연결되어 있는지 확인합니다.
- 2 AC 전원 콘센트를 찾습니다.
- 3 AC 전원 콘센트를 비활성화합니다.
- 4 장치를 AC 콘센트에 연결합니다.
- 5 AC 전원 콘센트를 활성화합니다.

로컬 터미널을 연결한 상태에서 전원을 켜면 스위치에서 POST (Power On Self Test)가 수행됩니다. POST는 장치가 시작될 때마다 실행되어 부팅이 완료되기 전에 하드웨어 구성부품을 검사하여 장치가 작동 가능한지 여부를 확인합니다. 심각한 문제가 발견될 경우 프로그램이 중지됩니다. POST를 통과하면 실행 가능한 유효 이미지가 RAM에 로드됩니다. POST 메시지가 터미널에 표시되어 테스트 성공 여부를 알려줍니다.

부팅 프로세스는 약 90초가 소요됩니다.

## 초기 구성

 **참고:** 진행하기 전에 이 제품의 릴리즈 노트를 확인하십시오. Dell 지원 웹 사이트 (<http://support.dell.com>)에서 릴리즈 노트를 다운로드할 수 있습니다.

 **참고:** 간단한 초기 구성은 다음을 전제로 합니다.

- PowerConnect 장치는 이전에 구성된 적이 없으며 장치를 받았을 때와 동일한 상태입니다.
- PowerConnect 장치가 제대로 부팅되었습니다.
- 콘솔 연결이 설정되었고 콘솔 프롬프트가 VT100 터미널 장치의 화면에 표시되었습니다. (<Enter> 키를 여러 번 눌러 프롬프트가 제대로 표시되는지 확인하십시오.)

초기 장치 구성은 직렬 포트를 통해 이루어집니다. 초기 구성 후에는 이미 연결된 직렬 포트에서 또는 초기 구성 중에 정의된 인터페이스를 통해 원격으로 장치를 관리할 수 있습니다.

시스템은 장치를 처음 부팅하는 경우나 장치가 구성되지 않아 구성 파일이 비어 있는 경우 설치 마법사를 사용할지 여부를 묻는 메시지를 표시합니다. 설치 마법사는 초기 장치 구성을 단계별로 안내하며 가능한 빨리 장치를 실행할 수 있도록 합니다.

 **참고:** 장치를 구성하기 전에 네트워크 관리자에게 다음 정보를 문의하십시오.

- SNMP 커뮤니티 문자열 및 SNMP 관리 시스템 IP 주소 (선택 사항)
- 사용자 이름 및 암호
- 장치를 관리할 VLAN 1 인터페이스에 할당할 IP 주소 (기본적으로 모든 외부 및 내부 포트는 VLAN 1에 포함됨)
- 네트워크의 IP 서브넷 마스크
- 기본 경로를 구성하기 위한 기본 게이트웨이 (다음 홉 라우터) IP 주소.

설치 마법사는 초기 스위치 구성을 단계별로 안내하며 가능한 빨리 시스템을 실행할 수 있도록 도와줍니다. 설치 마법사를 건너뛰고 장치 CLI 모드를 통해 스위치를 수동으로 구성할 수도 있습니다. CLI를 사용한 장치 구성에 대한 자세한 내용은 *PowerConnect 5400 시리즈 사용 설명서*를 참조하십시오.

설치 마법사는 다음 필드를 구성합니다.

- SNMP 커뮤니티 문자열 및 SNMP 관리 시스템 IP 주소(선택 사항)
- 사용자 이름 및 암호
- 장치 IP 주소
- IP 서브넷 마스크
- 기본 게이트웨이 IP 주소

설치 마법사는 다음 정보를 표시합니다.

```
Welcome to Dell Easy Setup Wizard
```

```
The Setup Wizard guides you through the initial switch configuration,
and gets you up and running easily and quickly. You can also skip
the setup wizard, and enter CLI mode to manually configure the switch
if you prefer. You can exit the setup wizard any time by entering
{CNTRL+Z}. The system will prompt you with a default answer.
By pressing Enter, you accept the default value.
```

```
Would you like to skip the setup wizard? [Y/N] N
```

[Y]를 입력하면 설치 마법사가 종료됩니다. 60초 안에 응답하지 않으면 설치 마법사가 자동으로 종료되고 CLI 콘솔 프롬프트가 표시됩니다.

[N]을 입력하면 설치 마법사에서 초기 장치 구성 과정을 대화식으로 안내합니다.



**참고:** [CNTRL+Z]를 입력하면 언제든지 설치 마법사를 종료할 수 있습니다.



**참고:** 60초 안에 프롬프트에 응답하지 않으면 설치 마법사가 자동으로 종료됩니다. 또한, 변경 사항도 저장되지 않습니다.

## 마법사 단계 1

다음과 같은 메시지가 표시됩니다.

```
The system is not setup for SNMP management by default. To manage
the switch using SNMP (required for Dell Network Manager) you can:
```

- Setup the initial SNMP version 2 account now.
- Return later and setup the SNMP version account. (For more information on setting up a SNMP version 2 account, see the user documentation).

```
Would you like to setup the SNMP management interface now? [Y/N] Y
```

단계 2로 넘어가려면 [N]을 입력합니다.

설치 마법사를 계속하려면 [Y]를 입력합니다. 다음과 같은 메시지가 표시됩니다.

```
To setup the SNMP management account you must specify the management
system IP address and the "community string" or password that the
particular management system uses to access the switch. The wizard
automatically assigns the highest access level [Privilege Level 15]
to this account. You can use Dell Network Manager or other management
interfaces to change this setting later, and to add additional
management system later. For more information on adding management
systems, see the user documentation.
```

```
To add a management station:
```

```
Please enter the SNMP community string to be used:[MYSETUPWIZARD] >>
Dell Network Manager
```

관리 스테이션에서 관리할 관리 시스템의 IP 주소(A.B.C.D) 또는 와일드카드(0.0.0.0)를 입력합니다 (예: 192.168.1.10). **Enter**를 누릅니다.

## 마법사 단계 2

다음과 같은 메시지가 표시됩니다.

```
Now we need to setup your initial privilege (Level 15) user account.
This account is used to login to the CLI and Web interface. You may
setup other accounts and change privilege levels later. For more
information on setting up user accounts and changing privilege
levels, see the user documentation.
```

```
To setup a user account:
```

```
Please enter the user name:
```

```
Please enter the user password:
```

```
Please reenter the user password:
```

다음을 입력합니다.

- 사용자 이름(예: "admin")
- 암호 및 암호 확인



**참고:** 첫 번째와 두 번째 암호 항목이 일치하지 않을 경우 메시지가 표시됩니다.

**Enter**를 누릅니다.

### 마법사 단계 3

다음과 같은 메시지가 표시됩니다.

```
Next, an IP address is setup. The IP address is defined on the
default VLAN (VLAN #1), of which all ports are members. This is
the IP address you use to access the CLI, Web interface, or SNMP
interface for the switch.
```

To setup an IP address:

```
Please enter the IP address of the device (A.B.C.D):
```

```
Please enter the IP subnet mask (A.B.C.D or /nn):
```

IP 주소 및 IP 서브넷 마스크를 입력합니다. 예를 들어 IP 주소로 192.168.1.100을 입력하고 IP 서브넷 마스크로 255.255.255.0을 입력합니다.

**Enter**를 누릅니다.

### 마법사 단계 4

다음과 같은 메시지가 표시됩니다.

```
Finally, setup the default gateway. Please enter the IP address
of the gateway from which this network is reachable
(e.g. 192.168.1.1):
```

기본 게이트웨이를 입력합니다.

**Enter**를 누릅니다. 다음 메시지가 표시됩니다(위의 예와 같이 입력한 경우):

```
This is the configuration information that has been collected:
```

```
SNMP Interface = "Dell Network Manager"@192.168.1.10
```

```
User Account setup = admin
```

```
Password = *****
```

```
Management IP address = 192.168.1.100 255.255.255.0
```

```
Default Gateway = 192.168.1.1
```



## 마법사 단계 5

다음과 같은 메시지가 표시됩니다.

```
If the information is correct, please select (Y) to save the
configuration, and copy to the start-up configuration file. If the
information is incorrect, select (N) to discard configuration and
restart the wizard: [Y/N]
```

현재 구성을 취소하고 마법사를 다시 시작하려면 [N]을 입력합니다.

설치 마법사를 완료하려면 [Y]를 입력합니다. 다음 메시지가 표시됩니다.

```
Thank you for using Dell Easy Setup Wizard. You will now enter CLI
mode.
```

## 마법사 단계 6




CLI 프롬프트가 표시됩니다. 자세한 내용은 *PowerConnect 5400 시리즈 사용 설명서*를 참조하십시오.



Systemy Dell™  
PowerConnect™ 54xx

# Instrukcja uruchomienia

## Uwagi, pouczenia i ostrzeżenia

-  **UWAGA:** UWAGA oznacza ważną informację pozwalającą na lepsze wykorzystanie możliwości komputera.
-  **POUCZENIE:** POUCZENIE wskazuje na możliwość uszkodzenia sprzętu lub utraty danych i informuje o sposobie uniknięcia problemu.
-  **OSTRZEŻENIE:** OSTRZEŻENIE wskazuje na możliwość wystąpienia szkody materialnej oraz potencjalne niebezpieczeństwo obrażeń ciała lub śmierci.

---

**Informacje zawarte w tym dokumencie mogą ulec zmianie bez uprzedzenia.**

© 2007 Dell Inc. Wszelkie prawa zastrzeżone.

Powielanie w jakikolwiek sposób bez pisemnego zezwolenia firmy Dell Inc. jest zabronione.

Znaki towarowe użyte w tym tekście: *Dell, Dell OpenManage*, logo *DELL*, *Inspiron, Dell Precision, Dimension, OptiPlex, PowerConnect, PowerApp, PowerVault, Axim, DellNet* i *Latitude* są znakami towarowymi Dell Inc. *Microsoft, Windows, Windows Server, Windows Vista* są znakami towarowymi lub zarejestrowanymi znakami towarowymi Microsoft Corporation w Stanach Zjednoczonych i/lub innych krajach.

W tym dokumencie mogą być także użyte inne znaki towarowe i nazwy handlowe w odniesieniu do podmiotów posiadających prawa do znaków i nazw lub ich produktów. Firma Dell Inc. nie rości sobie praw własności do jakichkolwiek znaków towarowych i nazw handlowych, których nie jest właścicielem.

# Spis treści

1	Instalacja	
	<b>Przegląd</b> . . . . .	<b>149</b>
	<b>Przygotowanie miejsca instalacji</b> . . . . .	<b>149</b>
	Wymogi dotyczące miejsca . . . . .	149
	<b>Rozpakowanie</b> . . . . .	<b>150</b>
	Zawartość opakowania . . . . .	150
	Rozpakowywanie urządzenia . . . . .	150
2	Montaż urządzenia	
	<b>Przegląd</b> . . . . .	<b>151</b>
	Instalacja stelaża urządzenia . . . . .	151
	Montaż na płaskiej powierzchni . . . . .	152
	Instalacja na ścianie . . . . .	152
	Podłączanie urządzenia do zasilacza . . . . .	153
3	Uruchamianie i konfigurowanie urządzenia	
	<b>Podłączanie terminala do urządzenia</b> . . . . .	<b>155</b>
	<b>Uruchamianie przełącznika</b> . . . . .	<b>157</b>
	<b>Konfiguracja wstępna</b> . . . . .	<b>157</b>



# Instalacja

## Przegląd

Niniejszy dokument dostarcza podstawowych informacji o instalowaniu i rozpoczynaniu użytkowania przełączników PowerConnect 5400 series. Więcej danych zawiera Podręcznik Użytkownika Dell™ PowerConnect™ 5400 series dostępny na dysku CD z dokumentacją. Na stronach witryny [www.support.dell.com](http://www.support.dell.com) można z kolei znaleźć najnowsze informacje o aktualizacjach dokumentacji i oprogramowania.

## Przygotowanie miejsca instalacji

### Wymogi dotyczące miejsca

Urządzenia z serii PowerConnect 5400 series można montować w standardowych stelażach o rozmiarze 19 cali (48,26 cm) albo umieścić je na stole. Przed zainstalowaniem urządzenia należy upewnić się, że wybrane miejsce instalacji spełnia następujące wymagania:

- **Zasilanie** — Urządzenie powinno być zainstalowane w pobliżu łatwo dostępnego gniazda zasilania 100-250 VAC, 50-60 Hz. Preferowanym rozwiązaniem jest dostępność dwóch osobnych źródeł zasilania, na przykład nadmiarowego źródła zasilania (RPS) i osobnego źródła zasilania fazowego.
- **Wymagania ogólne** — Należy zapewnić prawidłową instalację źródeł zasilania i upewnić się, że diody LED na panelu przednim urządzenia świecą.
- **Odstęp** — Musi być zachowany odpowiedni odstęp z przodu dla zapewnienia dostępu osobie obsługującej urządzenie. Należy pozostawić miejsce na prowadzenie kabli i podłączenie zasilania oraz w celu zapewnienia wentylacji.
- **Okablowanie** — Okablowanie musi być poprowadzone w taki sposób, aby ominąć źródła zakłóceń elektrycznych, takie jak nadajniki radiowe, wzmacniacze nadajników, linie zasilania i jarzeniówki.
- **Wymagane warunki otoczenia** — Zakres temperatur otoczenia, w jakich urządzenie może pracować to od 0 do 45°C (32 do 113°F) przy maksymalnej wilgotności względnej od 10% do 90% procent (bez kondensacji).

# Rozpakowanie

## Zawartość opakowania

Po rozpakowaniu urządzenia należy upewnić się, że zestaw zawiera następujące elementy:

- Urządzenie / Przełącznik
- Kabel zasilający
- Kabel krosowy RS-232
- Samoprzylepne gumowe nóżki
- Zestaw do montażu w stelażu
- Dysk CD z dokumentacją

## Rozpakowywanie urządzenia



**UWAGA:** Przed rozpakowaniem urządzenia należy skontrolować stan opakowania i niezwłocznie zgłosić ewentualne uszkodzenia.

- 1** Połóż pojemnik na czystej, płaskiej powierzchni i przetnij wszystkie pasy mocujące.
- 2** Otwórz pojemnik lub zdejmij jego wieko.
- 3** Ostrożnie wyjmij urządzenie z pojemnika i połóż je na stabilnej i czystej powierzchni.
- 4** Wyjmij wszystkie materiały opakowaniowe.
- 5** Sprawdź, czy produkt nie jest uszkodzony. Natychmiast zgłoś jakiegokolwiek uszkodzenia.



# Montaż urządzenia

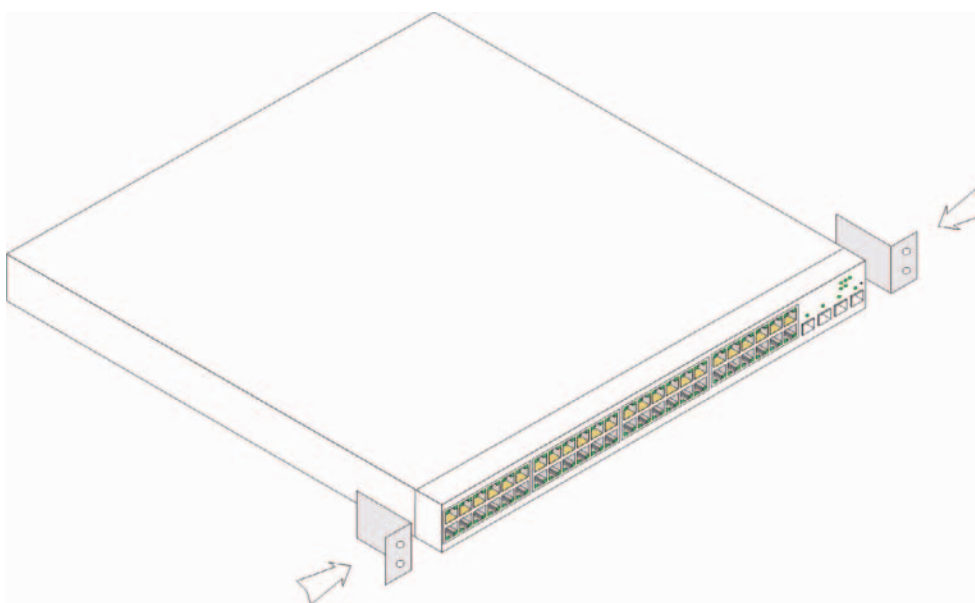
## Przegląd

Poniższe instrukcje montażu dotyczą przełączników z rodziny PowerConnect 5400 series. W urządzeniu złącza zasilania umieszczone są na panelu tylnym. Podłączenie zasilacza nadmiarowego (Redundant Power Supply, RPD) jest opcjonalne, ale zalecane. Konektor RPS jest umieszczony na tylnym panelu urządzenia.

## Instalacja stelaża urządzenia

- ⚠ OSTRZEŻENIE:** Przeczytaj informacje dotyczące bezpieczeństwa w Przewodniku po produkcji oraz informacje dotyczące bezpieczeństwa innych urządzeń łączących się lub wspomagających przełącznik.
  - ⚠ OSTRZEŻENIE:** Przed przystąpieniem do montowania urządzenia w stelażu lub w obudowie przemysłowej należy odłączyć od niego wszystkie kable.
  - ⚠ OSTRZEŻENIE:** Jeśli w stelażu montowanych będzie wiele urządzeń, należy zacząć od położonego najniżej.
- 1 Umieść dostarczony w zestawie wspornik montażowy po jednej stronie urządzenia, tak aby otwory montażowe w urządzeniu znajdowały się naprzeciw otworów montażowych we wsporniku. Na ilustracji przedstawiono miejsce montażu wsporników.

Rysunek 2-1. Instalacja wspornika do zamontowania w stelażu



- 2** Wkręć dostarczone w zestawie wkręty do otworów montażowych i dokręć je śrubokrętem.
- 3** Powtórz procedurę ze wspornikiem po drugiej stronie urządzenia.
- 4** Wsuń urządzenie do stelaża 19-calowego (48,26 centymetrów), upewniając się, że otwory montażowe w urządzeniu wypadają naprzeciwko otworów w stelażu.
- 5** Przymocuj urządzenie do stelaża za pomocą wkrętów (nie należą do zestawu). Najpierw dokręć dolną, a następnie górną parę wkrętów. Upewnij się, że otwory wentylacyjne nie są zasłonięte.

## **Montaż na płaskiej powierzchni**

Jeśli urządzenie nie będzie montowane w stelażu, należy umieścić je na płaskiej powierzchni. Powierzchnia musi wytrzymać ciężar urządzenia i jego kabli.

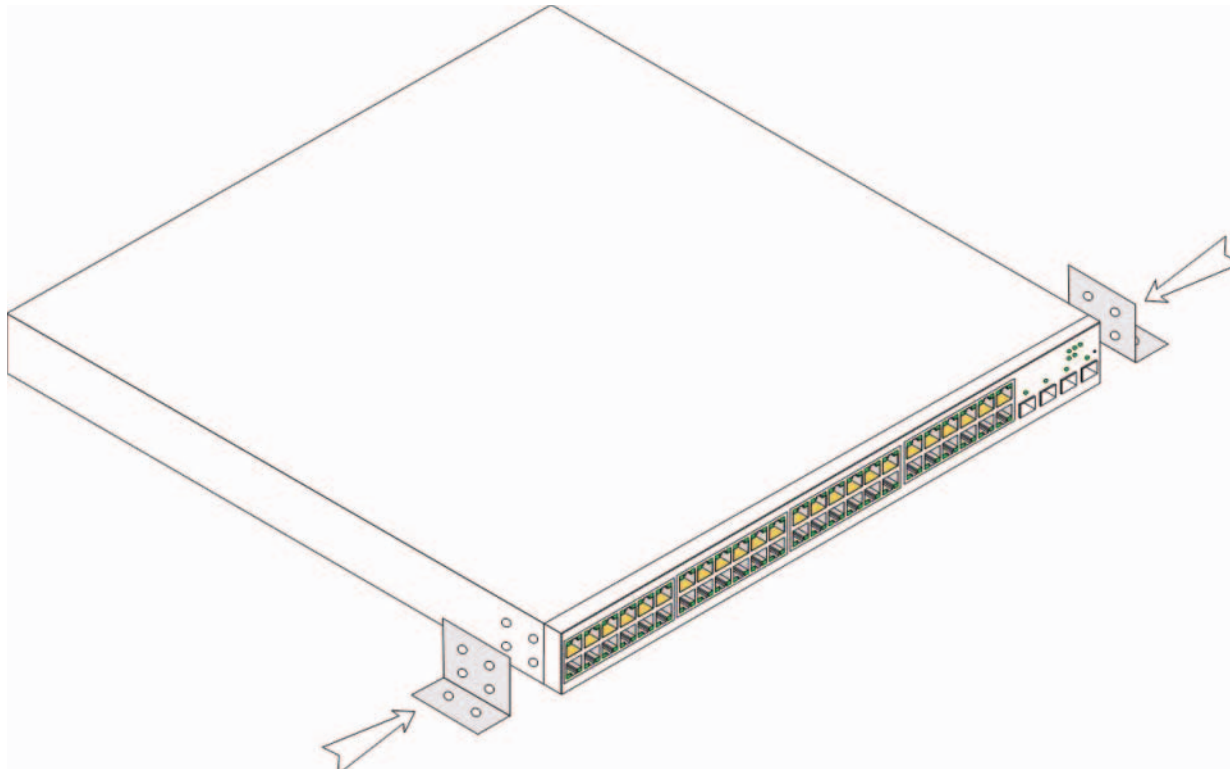
- 1** Doczep gumowe nóżki w zaznaczonych miejscach od spodu obudowy urządzenia.
- 2** Ustaw urządzenie na płaskiej powierzchni, pozostawiając po 2 cale (5,08 cm) po bokach i 5 cali (12,7 cm) z tyłu.
- 3** Upewnij się, że zapewniona jest odpowiednia wentylacja urządzenia.

## **Instalacja na ścianie**

Aby zamontować przełącznik na ścianie:

- 1** Upewnij się, że miejsce, w którym chcesz zamontować przełącznik, spełnia następujące wymagania:
  - Ściana musi być wystarczająco mocna, aby utrzymać przełącznik.
  - Pozostaw co najmniej 5,1 cm (2 cale) po bokach, by zapewnić odpowiednią wentylację i 12,7 cm (5 cali) z tyłu na kable zasilające.
  - Miejsce instalacji nie może być wystawione na bezpośrednie światło słoneczne.
  - Miejsce instalacji musi znajdować się w odległości co najmniej 70 cm (2 stopy) od otworów ogrzewania i otwory te nie powinny być skierowane w stronę przełącznika.
  - Miejsce instalacji musi być wyposażone w wentylację zapobiegającą wzrostowi temperatury.
  - Nie należy umieszczać przełącznika w pobliżu okablowania elektrycznego.
  - Kabel zasilający musi dosięgać gniazdka.
- 2** Użyj załączonych wkrętów, aby przymocować wspornik montażowy do obu stron przełącznika. (patrz rysunek poniżej).

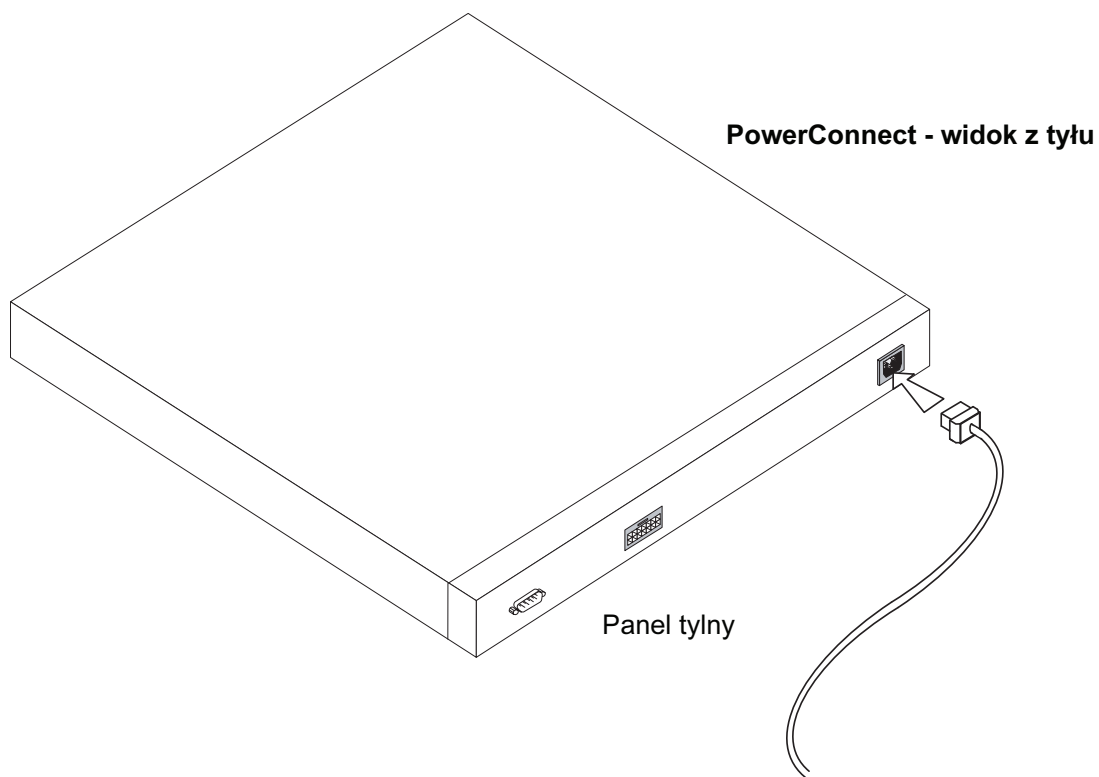
**Rysunek 2-2. Instalacja wspornika do zamontowania na ścianie**



### **Podłączanie urządzenia do zasilacza**

- 1** Podłącz dostarczony w zestawie kabel zasilający do złącza zasilania na panelu tylnym.
- 2** Na razie nie podłączaj kabla zasilającego do gniazdka prądu zmiennego z uziemieniem. Podłącz urządzenie do źródła zasilania według procedury opisanej w punkcie Uruchamianie i konfigurowanie urządzenia.

**Rysunek 2-3. Podłączanie do zasilacza**



- 3** Upewnij się, że urządzenie jest podłączone i działa poprawnie, sprawdzając diody na panelu przednim.

# Uruchamianie i konfigurowanie urządzenia

Po wykonaniu połączeń zewnętrznych należy podłączyć do urządzenia terminal, aby je skonfigurować. Informacje na temat dodatkowych zaawansowanych funkcji zamieszczono w *Podręczniku użytkownika Dell PowerConnect 5400* znajdującym się na dysku CD z dokumentacją.



**UWAGA:** Przed podjęciem dalszych czynności należy zapoznać się z uwagami do wersji (ang. release notes) tego produktu. Można je ściągnąć ze strony <http://support.dell.com>.



**UWAGA:** Zaleca się pobranie najnowszej wersji dokumentacji użytkowej z witryny pomocy technicznej firmy Dell pod adresem <http://support.dell.com>.

## Podłączanie terminala do urządzenia

Urządzenie jest wyposażone w port konsoli, do którego można podłączyć komputer z programem emulacji terminala. Umożliwi to monitorowanie urządzenia i sterowanie nim. Port konsoli ma postać męskiego złącza DB-9, skonfigurowanego jako port DTE.

Do korzystania z portu konsoli potrzebne są następujące elementy:

- Terminal zgodny z VT100 lub komputer wyposażony w port szeregowy i program emulujący terminal VT100.
- Kabel krzyżowy RS-232 wraz ze złączem żeńskim DB-9 dla portu konsoli i odpowiednie złącze do terminalu.

Aby podłączyć terminal do portu konsoli urządzenia, należy wykonać następujące czynności:

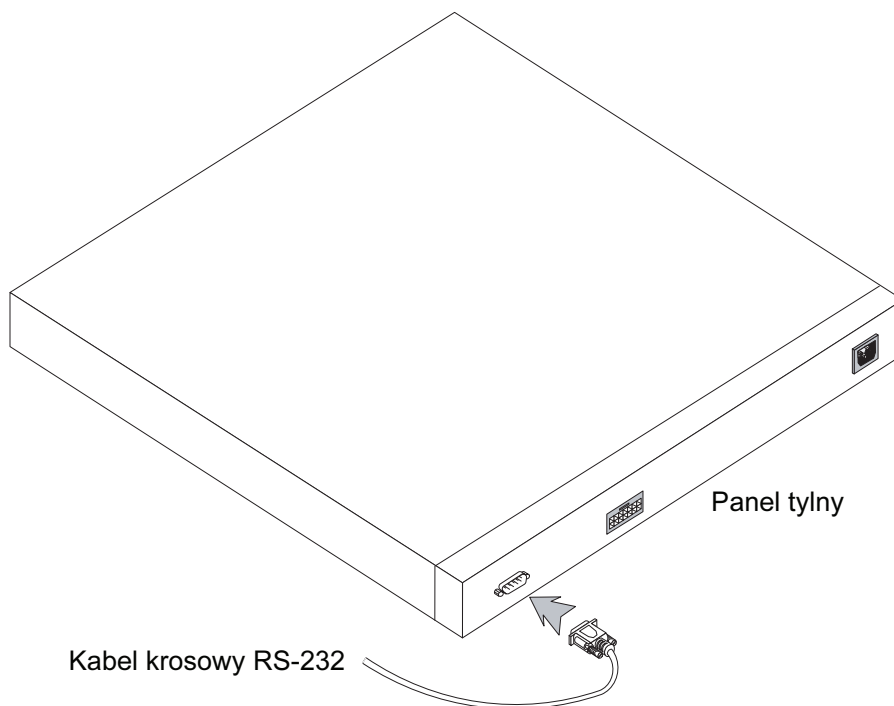
- 1 Podłącz dostarczony w zestawie kabel krosowy RS-232 do terminala lub komputera z emulatorem terminala VT100.
- 2 Upewnij się, że emulator terminala jest skonfigurowany w następujący sposób:
  - a Wybrany jest odpowiedni port szeregowy (port 1 albo 2) połączony z konsolą.
  - b Szybkość transmisji jest ustawiona na 9600 bodów.
  - c Format danych jest ustawiony na 8 bitów danych, 1 bit stopujący bez parzystości.

- d Kontrola przepływu jest ustawiona jako nieaktywna („none”).
- e W oknie Właściwości wybrana została opcja VT100 jako tryb emulacji.
- f Wybrane są klawisze terminalu dla klawiszy funkcyjnych, strzałek i Ctrl. Upewnij się, że ustawienie to jest wykonane dla klawiszy terminalu (nie klawiszy systemu Windows).

➔ **POUCZENIE:** Jeśli używany jest program HyperTerminal w systemie Microsoft® Windows 2000, Windows XP lub Windows Vista™, to należy upewnić się, że zainstalowany jest najnowszy service pack. Windows 2000 Service Pack 2 zapewnia prawidłowe działanie klawiszy strzałek w emulatorze VT100 programu HyperTerminal. Informacje na temat dodatków service pack do systemu Windows 2000, Windows XP i Windows Vista można znaleźć na stronie [www.microsoft.com](http://www.microsoft.com).

- 3 Podłącz żeńską wtyczkę kabla krosowego RS-232 bezpośrednio do portu konsoli urządzenia głównego/autonomicznego i dokręć wkręty mocujące wtyczkę. Port konsoli PowerConnect 5400 series znajduje się na tylnym panelu.

**Rysunek 3-1. Podłączanie do portu konsoli PowerConnect 5400 series**



## Uruchamianie przełącznika

Aby uruchomić przełącznik, należy wykonać następujące czynności:

- 1 Upewnij się, że port konsoli urządzenia jest podłączony do terminala VT100 lub do emulatora terminala VT100 za pośrednictwem kabla krosowego RS-232.
- 2 Odszukaj gniazdo zasilania.
- 3 Dezaktywuj gniazdo zasilania.
- 4 Podłącz urządzenie do gniazda zasilania.
- 5 Aktywuj gniazdo zasilania.

Po włączeniu zasilania w sytuacji, gdy lokalny terminal jest już podłączony, przełącznik wykona początkowy test automatyczny (POST). Test POST jest wykonywany przy każdej inicjalizacji urządzenia i ma na celu sprawdzenie elementów sprzętowych oraz ustalenie, czy urządzenie jest w pełni sprawne, zanim zostanie ostatecznie uruchomione. W razie wykrycia krytycznego problemu wykonywanie programu jest wstrzymywane. Jeżeli test POST ma wynik pomyślny, to do pamięci RAM zostaje wczytany poprawny obraz wykonywalny. Na terminalu wyświetlane są komunikaty testu POST informujące o pomyślnym lub niepomyślnym przebiegu testu.

Proces uruchamiania trwa około 90 sekund.

## Konfiguracja wstępna



**UWAGA:** Przed podjęciem dalszych czynności należy zapoznać się z uwagami do wersji (ang. release notes) tego produktu. Uwagi do wersji można pobrać z witryny pomocy technicznej firmy Dell pod adresem <http://support.dell.com>.



**UWAGA:** W prostej konfiguracji początkowej przyjęto następujące założenia:

- Urządzenie PowerConnect nie było wcześniej konfigurowane i znajduje się w takim stanie, w jakim użytkownik je otrzymał.
- Urządzenie PowerConnect zostało pomyślnie uruchomione.
- Nawiązano połączenie z konsolą, a na ekranie terminala VT100 wyświetlane jest zgłoszenie konsoli. (Aby sprawdzić, czy zgłoszenie jest wyświetlane prawidłowo, należy kilkakrotnie nacisnąć klawisz <Enter>).

Wstępną konfigurację urządzenia definiuje się za pośrednictwem portu szeregowego. Po wstępnym skonfigurowaniu można zarządzać urządzeniem za pośrednictwem terminalu podłączonego już do portu szeregowego albo zdalnie, przez interfejs zdefiniowany w trakcie konfiguracji wstępnej.

System sugeruje użycie kreatora konfiguracji, gdy urządzenie jest uruchamiane po raz pierwszy lub gdy plik konfiguracyjny jest pusty, gdyż urządzenie nie zostało skonfigurowane. Kreator konfiguracji prowadzi użytkownika przez wstępną konfigurację urządzenia i pozwala na jego uruchomienie najszybciej, jak to możliwe.



**UWAGA:** Przed rozpoczęciem konfigurowania urządzenia uzyskaj następujące informacje od administratora sieci:

- SNMP Community String i adres IP systemu zarządzania SNMP (SNMP Management System – opcjonalne)
- Nazwa użytkownika i hasło
- Adres IP, który ma być przypisany do interfejsu VLAN 1, za pośrednictwem którego urządzenie ma być zarządzane (domyślnie każdy port zewnętrzny i wewnętrzny jest członkiem grupy VLAN 1)
- Maska podsieci IP
- Adres IP domyślnej bramki (następnego rutera dostępowego) dla konfiguracji domyślnego rutowania

Kreator konfiguracji prowadzi użytkownika przez wstępną konfigurację urządzenia i pozwala na jego uruchomienie najszybciej, jak to możliwe. Można pominąć kreatora konfiguracji i skonfigurować przełącznik ręcznie za pomocą trybu CLI urządzenia. Informacje pomocne przy konfigurowaniu urządzenia za pomocą CLI znajdują się w *Podręczniku użytkownika PowerConnect 5400 Series*.

Kreator konfiguracji konfiguruje następujące pola.

- SNMP Community String i adres IP systemu zarządzania SNMP (SNMP Management System – opcjonalne).
- Nazwa użytkownika i hasło.
- Adres IP urządzenia
- Maska podsieci IP
- Adres IP domyślnej bramki

Kreator konfiguracji wyświetla następujące informacje:

```
Welcome to Dell Easy Setup Wizard
```


```
The Setup Wizard guides you through the initial switch configuration,
and gets you up and running easily and quickly. You can also skip
the setup wizard, and enter CLI mode to manually configure the switch
if you prefer. You can exit the setup wizard any time by entering
{CNTRL+Z}. The system will prompt you with a default answer.
By pressing Enter, you accept the default value.
```


```
Would you like to skip the setup wizard? [Y/N] N
```

Kreator konfiguracji zakończy działanie, jeśli naciśniesz [T]. Jeżeli nie odpowiesz w ciągu 60 sekund, kreator konfiguracji automatycznie zakończy działanie i pojawi się ponaglenie konsoli CLI.



Jeżeli naciśniesz [N], kreator konfiguracji interaktywnie przeprowadzi Cię przez wstępną konfigurację urządzenia.

 **UWAGA:** W każdej chwili możesz zakończyć działanie kreatora konfiguracji, naciskając [Ctrl+Z].

 **UWAGA:** Jeżeli nie odpowiesz na żadne ponaglenie w ciągu 60 sekund, kreator konfiguracji automatycznie zakończy działanie. Wprowadzone zmiany nie zostaną zapisane.

## Krok 1 kreatora

Wyświetlane są następujące informacje:

```
The system is not setup for SNMP management by default. To manage
the switch using SNMP (required for Dell Network Manager) you can:
```

- Setup the initial SNMP version 2 account now.
- Return later and setup the SNMP version account. (For more information on setting up a SNMP version 2 account, see the user documentation).

```
Would you like to setup the SNMP management interface now? [Y/N] Y
```

Naciśnij [N], aby przejść do kroku 2.

Naciśnij [T], aby kontynuować pracę z kreatorem konfiguracji. Wyświetlane są następujące informacje:

```
To setup the SNMP management account you must specify the management
system IP address and the "community string" or password that the
particular management system uses to access the switch. The wizard
automatically assigns the highest access level [Privilege Level 15]
to this account. You can use Dell Network Manager or other management
interfaces to change this setting later, and to add additional
management system later. For more information on adding management
systems, see the user documentation.
```

```
To add a management station:
```

```
Please enter the SNMP community string to be used:[MYSETUPWIZARD] >>
Dell Network Manager
```

Wprowadź adres IP systemu administrowania (A.B.C.D) lub znak maskujący (0.0.0.0), aby umożliwić zarządzanie z dowolnej stacji zarządzającej, na przykład 192.168.1.10. Naciśnij **Enter**.

## Krok 2 kreatora

Wyświetlane są następujące informacje:

```
Now we need to setup your initial privilege (Level 15) user account.
This account is used to login to the CLI and Web interface. You may
setup other accounts and change privilege levels later. For more
information on setting up user accounts and changing privilege
levels, see the user documentation.
```

```
To setup a user account:
```

```
Please enter the user name:
```

```
Please enter the user password:
```

```
Please reenter the user password:
```

Wprowadź następujące informacje:

- Nazwa użytkownika, na przykład: „admin”
- Hasło i powtórzenie hasła.



**UWAGA:** System powiadomi Cię, jeżeli pierwsze i drugie wprowadzone hasło nie będą identyczne.

Naciśnij **Enter**.

## Krok 3 kreatora

Wyświetlane są następujące informacje:

```
Next, an IP address is setup. The IP address is defined on the
default VLAN (VLAN #1), of which all ports are members. This is
the IP address you use to access the CLI, Web interface, or SNMP
interface for the switch.
```

```
To setup an IP address:
```

```
Please enter the IP address of the device (A.B.C.D):
```

```
Please enter the IP subnet mask (A.B.C.D or /nn):
```

Wprowadź adres IP i maskę podsieci IP, na przykład 192.168.1.100 jako adres IP i 255.255.255.0 jako maskę podsieci IP.

Naciśnij **Enter**.

## Krok 4 kreatora

Wyświetlane są następujące informacje:

```
Finally, setup the default gateway. Please enter the IP address
of the gateway from which this network is reachable
(e.g. 192.168.1.1):
```

Wprowadź domyślną bramkę.

Naciśnij **Enter**. Wyświetlana jest następująca informacja (zgodnie z opisanymi powyżej przykładowymi parametrami):

```
This is the configuration information that has been collected:
SNMP Interface = "Dell Network Manager"@192.168.1.10
User Account setup = admin
Password = *****
Management IP address = 192.168.1.100 255.255.255.0
Default Gateway = 192.168.1.1
```

## Krok 5 kreatora

Wyświetlane są następujące informacje:

```
If the information is correct, please select (Y) to save the
configuration, and copy to the start-up configuration file. If the
information is incorrect, select (N) to discard configuration and
restart the wizard: [Y/N]
```

Naciśnij [N], aby uruchomić kreator ponownie.

Naciśnij [T], aby zakończyć pracę kreatora konfiguracji. Wyświetlane są następujące informacje:

```
Thank you for using Dell Easy Setup Wizard. You will now enter CLI
mode.
```

## Krok 6 kreatora

Wyświetlane jest ponaglenie trybu CLI. Aby uzyskać dalsze informacje, przeczytaj *Podręcznik użytkownika PowerConnect 5400 Series*.



Sistemas Dell™  
PowerConnect™ 54xx  
**Guía de introducción**

## Notas, avisos y precauciones



**NOTA:** una NOTA proporciona información importante que le ayudará a utilizar mejor el dispositivo.



**AVISO:** un AVISO indica la posibilidad de daños en el hardware o la pérdida de datos, y proporciona información sobre cómo evitar el problema.



**PRECAUCIÓN:** un mensaje de PRECAUCIÓN indica el riesgo de daños materiales, lesiones o incluso la muerte.

---

La información contenida en este documento puede modificarse sin previo aviso.

© 2007 Dell Inc. Todos los derechos reservados.

Queda estrictamente prohibida la reproducción de este documento en cualquier forma sin la autorización por escrito de Dell Inc.

Marcas comerciales utilizadas en este texto: *Dell*, *Dell OpenManage*, el logotipo de *DELL*, *Inspiron*, *Dell Precision*, *Dimension*, *OptiPlex*, *PowerConnect*, *PowerApp*, *PowerVault*, *Axim*, *DellNet* y *Latitude* son marcas comerciales de Dell Inc.; *Microsoft*, *Windows*, *Windows Server* y *Windows Vista* son marcas comerciales o marcas comerciales registradas de Microsoft Corporation en los Estados Unidos o en otros países.

Otras marcas y otros nombres comerciales pueden utilizarse en este documento para hacer referencia a las entidades que los poseen o a sus productos. Dell Inc. renuncia a cualquier interés sobre la propiedad de marcas y nombres comerciales que no sean los suyos.

# Contenido

<b>1</b>	<b>Instalación</b>	
	Información general .....	167
	Preparación del emplazamiento .....	167
	Requisitos del emplazamiento .....	167
	Desembalaje .....	168
	Contenido del paquete .....	168
	Desembalaje del dispositivo .....	168
<b>2</b>	<b>Montaje del dispositivo</b>	
	Información general .....	169
	Instalación del dispositivo en rack .....	169
	Instalación en una superficie plana .....	170
	Instalación en una pared .....	170
	Conexión de un dispositivo a una fuente de alimentación .....	171
<b>3</b>	<b>Inicio y configuración del dispositivo</b>	
	Conexión del terminal al dispositivo .....	173
	Inicio del conmutador .....	175
	Configuración inicial .....	175





# Instalación

## Información general

En este documento se proporciona información básica para instalar y empezar a utilizar los conmutadores PowerConnect serie 5400. Para obtener más información, consulte la guía del usuario de Dell™ PowerConnect™ serie 5400 que se incluye en el CD de documentación o visite la página web de asistencia de Dell ([www.support.dell.com](http://www.support.dell.com)) para obtener las actualizaciones más recientes de la documentación y el software.

## Preparación del emplazamiento

### Requisitos del emplazamiento

Los dispositivos PowerConnect serie 5400 se pueden montar en un rack estándar de 48,26 cm o se pueden colocar sobre un escritorio. Antes de instalar la unidad, verifique que la ubicación elegida cumple los requisitos que se describen a continuación.

- **Alimentación:** la unidad está instalada cerca de una toma eléctrica de fácil acceso de 100-250 V CA y 50-60 Hz. Se recomienda utilizar dos fuentes de alimentación diferentes, por ejemplo, una RPS y una alimentación procedente de fases distintas.
- **General:** asegúrese de que la fuente de alimentación está instalada correctamente comprobando que los LED del panel frontal están encendidos.
- **Espacio libre:** debe haber un espacio libre delante del equipo para el acceso del operador. Deje espacio libre para el cableado, las conexiones de alimentación y la ventilación.
- **Cableado:** el cableado está canalizado para evitar fuentes de ruido eléctrico, como radiotransmisores, amplificadores de transmisión, líneas de alimentación e instalaciones fijas de luz fluorescente.
- **Requisitos ambientales:** el intervalo de temperatura ambiental de funcionamiento de la unidad es de 0 a 45 °C con una humedad relativa del 10 al 90% sin condensación.

# Desembalaje

## Contenido del paquete

Cuando desembale el dispositivo, asegúrese de que se incluyen los elementos siguientes:

- Dispositivo/conmutador
- Cable de alimentación de CA
- Cable cruzado RS-232
- Almohadillas de goma autoadhesivas
- Kit de montaje en rack para la instalación en rack
- CD de documentación

## Desembalaje del dispositivo



**NOTA:** antes de desembalar el dispositivo, examine el paquete e informe inmediatamente de cualquier daño.

- 1 Coloque el contenedor en una superficie plana y limpia, y corte todas las tiras que sujetan el contenedor.
- 2 Abra el contenedor o extraiga la parte superior de éste.
- 3 Extraiga con cuidado la unidad del contenedor y colóquela en una superficie estable y limpia.
- 4 Retire todo el material de embalaje.
- 5 Examine el producto para comprobar que no esté dañado. Informe inmediatamente de cualquier daño.

# Montaje del dispositivo

## Información general

Las instrucciones de montaje siguientes corresponden a los conmutadores PowerConnect de la serie 5400. Los conectores de alimentación del dispositivo se encuentran en el panel posterior. La conexión de una fuente de alimentación redundante (RPS) es opcional, pero se recomienda conectarla. El conector RPS está situado en el panel posterior del dispositivo.

### Instalación del dispositivo en rack

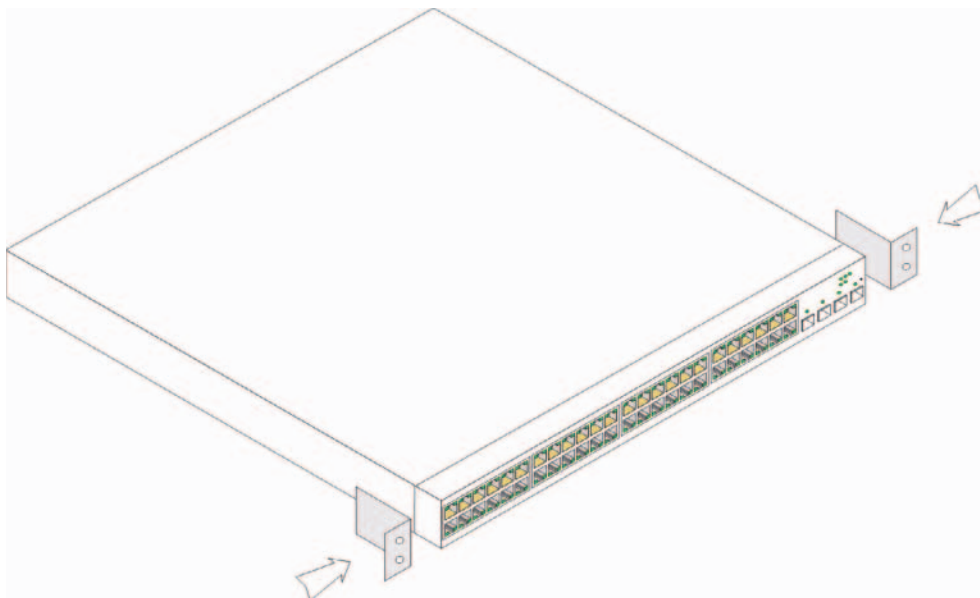
**⚠ PRECAUCIÓN:** lea la información de seguridad incluida en la Guía de información del producto y la información de seguridad de los otros dispositivos que están conectados o asociados al conmutador.

**⚠ PRECAUCIÓN:** desconecte todos los cables de la unidad antes de montar el dispositivo en un rack o un armario.

**⚠ PRECAUCIÓN:** cuando monte varios dispositivos en un rack, empiece desde abajo.

- 1 Coloque el soporte de montaje en rack suministrado en un lateral del dispositivo y asegúrese de que los orificios de montaje del dispositivo coinciden con los orificios de montaje del soporte de montaje en rack. En la figura siguiente se muestra dónde deben montarse los soportes.

Figura 2-1. Instalación de los soportes para el montaje en rack



- 2** Inserte los tornillos suministrados en los orificios de montaje en rack y apriételos con un destornillador.
- 3** Repita el proceso para el soporte de montaje en rack en el otro lado del dispositivo.
- 4** Inserte la unidad en el rack de 48,26 cm y asegúrese de que los orificios de montaje en rack del dispositivo coinciden con el orificio de montaje del rack.
- 5** Fije la unidad al rack con los tornillos de rack (no incluidos). Apriete primero el par inferior de tornillos y después el superior. Asegúrese de que los orificios de ventilación no estén obstruidos.

### **Instalación en una superficie plana**

Si no se instala en un rack, el dispositivo debe instalarse en una superficie plana. La superficie debe poder aguantar el peso del dispositivo y los cables.

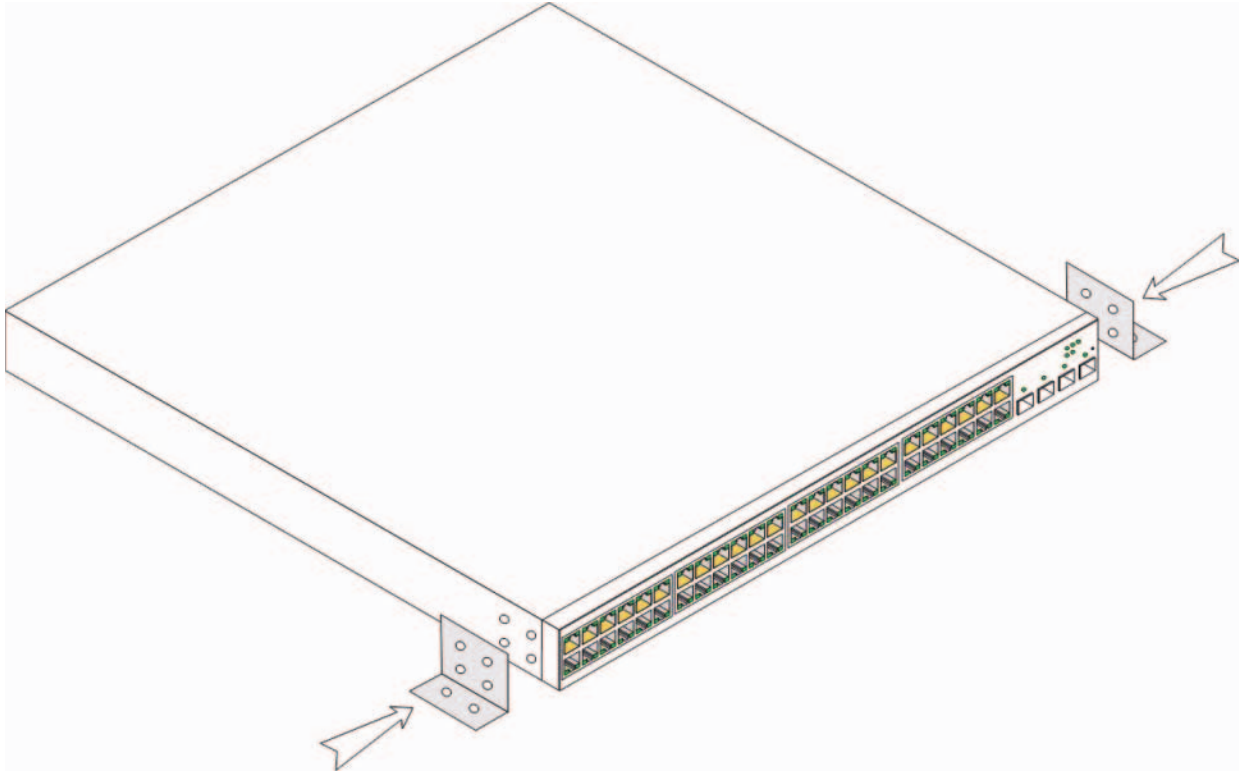
- 1** Fije las patas de goma en cada una de las zonas marcadas de la parte inferior del chasis del dispositivo.
- 2** Coloque el dispositivo en una superficie plana y deje 5,08 cm de separación a cada lado y 12,7 cm en la parte posterior.
- 3** Asegúrese de que el dispositivo tiene una ventilación correcta.

### **Instalación en una pared**

Para montar el conmutador en una pared:

- 1** Asegúrese de que el sitio de montaje cumple los requisitos siguientes:
  - La superficie de la pared debe poder soportar el peso del conmutador.
  - Deje al menos 5,1 cm a cada lado para una correcta ventilación y 12,7 cm en la parte posterior para el cable de alimentación.
  - La ubicación de montaje no debe estar expuesta a la luz solar directa.
  - No debe haber ninguna rejilla de calefacción a menos de 60 cm, ni ninguna rejilla de calefacción debe estar orientada hacia la unidad.
  - El lugar debe disponer de la ventilación adecuada para evitar una acumulación de calor.
  - No coloque el conmutador cerca de cableados eléctricos o de datos.
  - El cable de alimentación debe estar a una distancia que permita conectarlo a una toma eléctrica.
- 2** Utilice los tornillos suministrados para fijar un soporte de montaje a cada lado del conmutador (vea la figura siguiente).

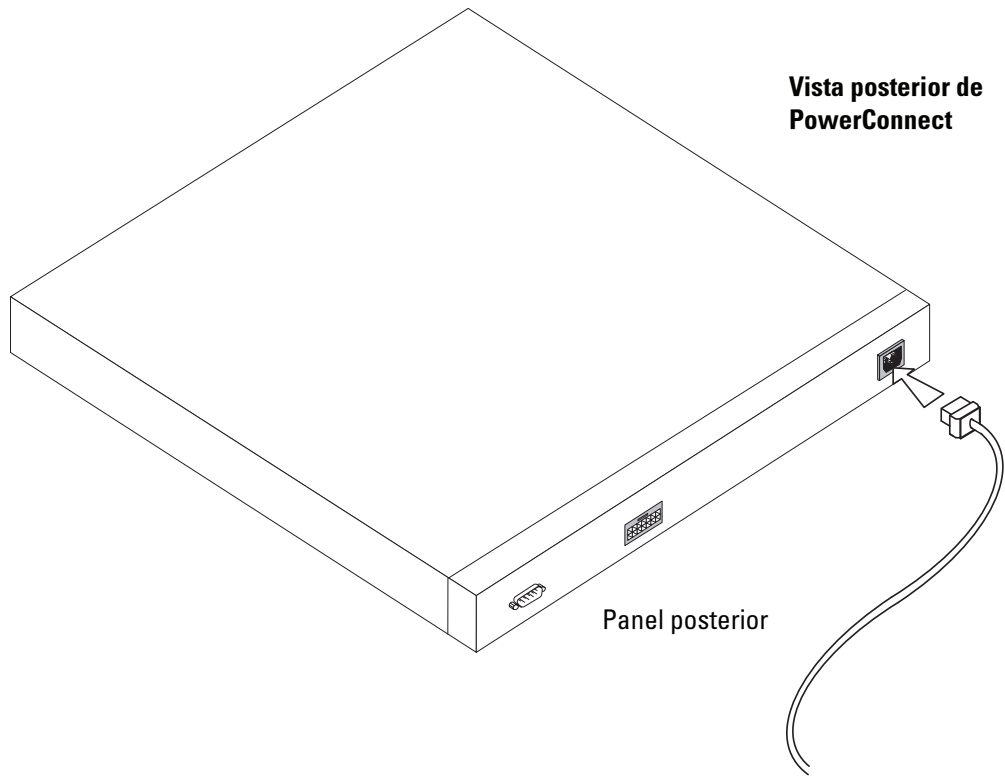
**Figura 2-2. Instalación de los soportes para el montaje en pared**



### **Conexión de un dispositivo a una fuente de alimentación**

- 1** Conecte el cable de alimentación de CA suministrado al conector de CA situado en el panel posterior.
- 2** no conecte el cable de alimentación a una toma eléctrica de CA con conexión a tierra en este momento. Conecte el dispositivo a una fuente de energía siguiendo los pasos que se detallan en la sección Inicio y configuración del dispositivo.

**Figura 2-3. Conexión a una fuente de alimentación**



- 3** Compruebe que el dispositivo está conectado y funciona correctamente examinando los LED del panel frontal.

## Inicio y configuración del dispositivo

Una vez realizadas todas las conexiones externas, conecte un terminal al dispositivo para configurar el dispositivo. Las funciones avanzadas adicionales se describen en la guía del usuario de Dell™ PowerConnect™ 5400 que se incluye en el CD de documentación.



**NOTA:** antes de continuar, lea las notas de la versión de este producto. Las notas de la versión pueden descargarse desde <http://support.dell.com>.



**NOTA:** se recomienda descargar la revisión más reciente de la documentación del usuario desde la página web de asistencia de Dell (<http://support.dell.com>).

### Conexión del terminal al dispositivo

El dispositivo dispone de un puerto de consola que permite la conexión a un sistema de escritorio terminal que ejecute software de emulación de terminal para supervisar y configurar el dispositivo. Este conector de puerto de consola es un conector DB-9 macho instalado como un conector de equipo terminal de datos (DTE).

Para utilizar el puerto de consola, se requiere lo siguiente:

- Un terminal compatible con VT100 o un sistema de escritorio o portátil con un puerto serie y que ejecute el software de emulación de terminal VT100
- Un cable cruzado RS-232 con un conector DB-9 hembra para el puerto de consola y el conector adecuado para el terminal

Para conectar un terminal al puerto de consola del dispositivo, realice lo siguiente:

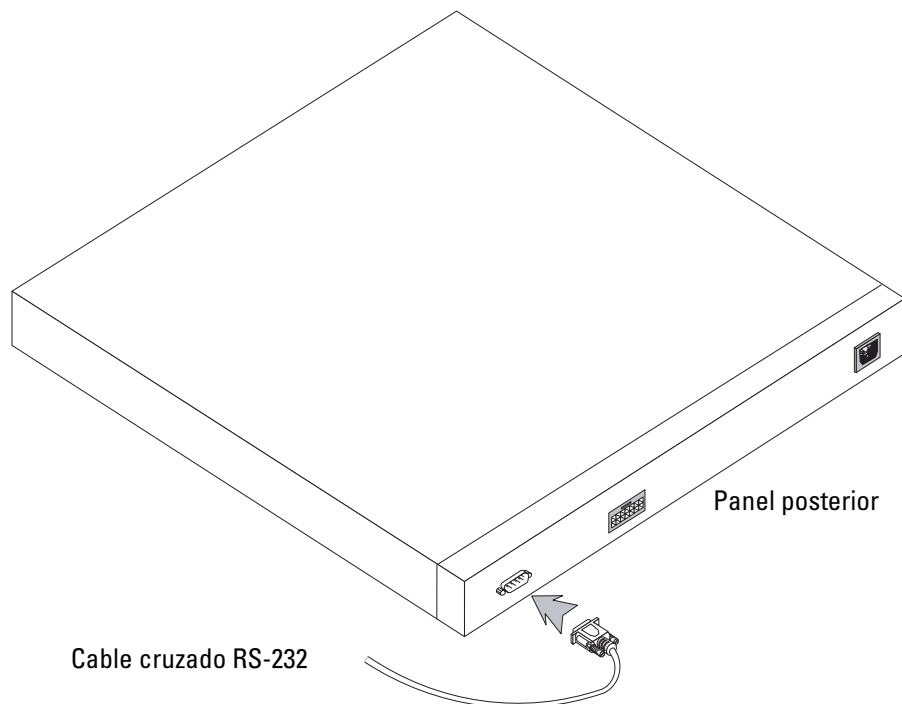
- 1** Conecte el cable cruzado RS-232 suministrado al terminal que está ejecutando el software de emulación de terminal VT100.
- 2** Asegúrese de que el software de emulación de terminal se configura del modo siguiente:
  - a** Seleccione el puerto serie apropiado (puerto serie 1 o puerto serie 2) para conectar a la consola.
  - b** Establezca la velocidad de datos en 9 600 baudios.
  - c** Establezca el formato de datos en 8 bits de datos, 1 bit de paro y sin paridad.

- d Establezca el control de flujo en Ninguno.
- e En Propiedades, seleccione el modo de emulación VT100.
- f Seleccione Teclas de terminal para las teclas de función, de flecha y Ctrl. Asegúrese de que configura Teclas de terminal y no Teclas de Windows.

➔ **AVISO:** al utilizar HyperTerminal con Microsoft® Windows 2000, Windows XP o Windows Vista™, asegúrese de que tiene instalados los Service Pack más recientes. Con Windows 2000 Service Pack 2, las teclas de flecha funcionan correctamente en la emulación VT100 de HyperTerminal. Vaya a [www.microsoft.com](http://www.microsoft.com) para obtener información sobre los Service Pack de Windows 2000, Windows XP y Windows Vista.

- 3 Conecte el conector hembra del cable cruzado RS-232 directamente al puerto de consola del dispositivo independiente o la unidad maestra y apriete los tornillos cautivos de retención. El puerto de consola de PowerConnect serie 5400 está situado en el panel posterior.

**Figura 3-1. Conexión al puerto de consola de PowerConnect serie 5400**





## Inicio del conmutador

Para iniciar el conmutador, realice lo siguiente:

- 1 Asegúrese de que el puerto de consola del dispositivo está conectado a un dispositivo de terminal VT100 o a un emulador de terminal VT100 a través del cable cruzado RS-232.
- 2 Localice un enchufe de CA.
- 3 Desactive el enchufe de CA.
- 4 Conecte el dispositivo al enchufe de CA.
- 5 Active el enchufe de CA.

Cuando la alimentación se enciende con el terminal local ya conectado, el conmutador realiza la autoprueba de encendido (POST). La POST se ejecuta cada vez que se inicializa el dispositivo, y comprueba los componentes de hardware para determinar si el dispositivo es totalmente funcional antes del inicio completo. Si se detecta un problema crítico, el flujo de programa se detiene. Si la POST se ejecuta correctamente, se carga una imagen ejecutable válida en la RAM. Se muestran mensajes de la POST en el terminal que indican si la prueba ha finalizado correctamente o no.

El proceso de inicio dura aproximadamente 90 segundos.

## Configuración inicial



**NOTA:** antes de continuar, lea las notas de la versión de este producto. Puede descargar las notas de la versión desde la página web de asistencia de Dell (<http://support.dell.com>).



**NOTA:** en la configuración inicial simple se dan por sentado los supuestos siguientes:

- El dispositivo PowerConnect no se había configurado antes y se encuentra en el mismo estado que cuando se recibió.
- El dispositivo PowerConnect se ha iniciado correctamente.
- La conexión de la consola está establecida, y se muestra el indicador de comandos de la consola en la pantalla de un dispositivo terminal VT100. Pulse la tecla <Intro> varias veces para verificar que el indicador de comandos se muestra correctamente.

La configuración inicial del dispositivo se realiza a través del puerto serie. Después de la configuración inicial, puede administrarse el dispositivo bien desde el puerto serie ya conectado o bien remotamente a través de una interfaz definida durante la configuración inicial.

El sistema le indica que utilice el asistente para la instalación al iniciar el sistema por primera vez o si el archivo de configuración está vacío porque el dispositivo no está configurado. El asistente para la instalación le guía a través de la configuración inicial del dispositivo y pone el dispositivo en funcionamiento lo más rápido posible.



**NOTA:** solicite la información siguiente al administrador de red antes de configurar el dispositivo:

- Cadena de comunidad SNMP y dirección IP del sistema de administración SNMP (opcional)
- Nombre de usuario y contraseña
- Dirección IP que debe asignarse a la interfaz VLAN 1 a través de la que se administrará el dispositivo (de forma predeterminada, cada puerto externo e interno es miembro de la VLAN 1)
- Máscara de subred IP de la red
- Dirección IP de la puerta de enlace predeterminada (enrutador del siguiente salto) para configurar la ruta predeterminada

El asistente para la instalación le guía a través de la configuración inicial del conmutador y pone el sistema en funcionamiento lo más rápido posible. Puede optar por no utilizar el asistente para la instalación y configurar el conmutador manualmente mediante la CLI del dispositivo. Consulte la guía del usuario de PowerConnect serie 5400 para obtener ayuda sobre cómo configurar el dispositivo mediante la CLI.

El asistente para la instalación configura los campos siguientes.

- Cadena de comunidad SNMP y dirección IP del sistema de administración SNMP (opcional)
- Nombre de usuario y contraseña
- Dirección IP del dispositivo
- Máscara de subred IP
- Dirección IP de la puerta de enlace predeterminada

El asistente para la instalación muestra la información siguiente:

```
Welcome to Dell Easy Setup Wizard
```

```
The Setup Wizard guides you through the initial switch configuration,  
and gets you up and running easily and quickly. You can also skip the  
setup wizard, and enter CLI mode to manually configure the switch  
if you prefer. You can exit the setup wizard any time by entering  
[CTRL+Z]. The system will prompt you with a default answer.
```

```
By pressing Enter, you accept the default value.
```

```
Would you like to skip the setup wizard? [Y/N] N
```

```
(Bienvenido al Asistente para instalación fácil de Dell
```


El Asistente para instalación fácil le guía por la configuración inicial del conmutador y le permite empezar a utilizarlo de forma sencilla y rápida. Si lo prefiere, puede saltarse este asistente y entrar en el modo de la CLI para configurar manualmente el conmutador. Puede salir del asistente para la instalación en cualquier momento pulsando [CTRL+Z]. El sistema le solicitará una respuesta predeterminada. Si pulsa Intro, se aceptará el valor predeterminado.

¿Desea omitir el asistente para la instalación? [Y/N] N)

Si pulsa [Y], saldrá del asistente para la instalación. Si no responde en 60 segundos, el asistente para la instalación se cerrará automáticamente y aparecerá el indicador de la consola de la CLI.

Si pulsa [N], el asistente para la instalación le proporcionará instrucciones interactivas para la configuración inicial del dispositivo.

 **NOTA:** puede salir del asistente para la instalación en cualquier momento pulsando [CTRL+Z].

 **NOTA:** si no responde a ningún mensaje en 60 segundos, el asistente para la instalación se cerrará automáticamente. No se guardará ninguno de los cambios realizados.

## Paso 1 del asistente

Se muestra la información siguiente:

```
The system is not setup for SNMP management by default. To manage
the switch using SNMP (required for Dell Network Manager) you can:
```

- Setup the initial SNMP version 2 account now.
- Return later and setup the SNMP version account. (For more information on setting up a SNMP version 2 account, see the user documentation).

```
Would you like to setup the SNMP management interface now? [Y/N] Y
```

(El sistema no está configurado para la administración SNMP de forma predeterminada. Para administrar el conmutador mediante SNMP (obligatorio para Dell Network Manager), puede realizar lo siguiente:

- Configurar la cuenta de versión 2 de SNMP inicial ahora.
- Volver más adelante y configurar la cuenta de versión de SNMP. Para obtener más información sobre cómo configurar una cuenta de versión 2 de SNMP, consulte la documentación del usuario.

```
¿Desea configurar la interfaz de administración SNMP ahora? [Y/N] Y)
```

Pulse [N] para ir al paso 2.

Pulse [Y] para continuar con el asistente para la instalación. Se muestra la información siguiente:

To setup the SNMP management account you must specify the management system IP address and the "community string" or password that the particular management system uses to access the switch. The wizard automatically assigns the highest access level [Privilege Level 15] to this account. You can use Dell Network Manager or other management interfaces to change this setting later, and to add additional management system later. For more information on adding management systems, see the user documentation.

To add a management station:

Please enter the SNMP community string to be used:[MYSETUPWIZARD] >>  
Dell Network Manager

(Para configurar la cuenta de administración SNMP, debe especificar la dirección IP del sistema de administración y la "cadena de comunidad" o contraseña que dicho sistema de administración utiliza para acceder al conmutador. El asistente asigna automáticamente el nivel de acceso más alto [nivel de privilegio 15] a esta cuenta. Puede utilizar Dell Network Manager u otras interfaces de administración para cambiar esta configuración o añadir otro sistema de administración más adelante. Para obtener más información sobre cómo añadir sistemas de administración, consulte la documentación del usuario.

Para añadir una estación de administración:

Introduzca la cadena de comunidad SNMP que se utilizará:  
[MYSETUPWIZARD] >>Dell Network Manager)

Introduzca la dirección IP del sistema de administración (A.B.C.D) o un comodín (0.0.0.0) para que la administración se efectúe desde una estación de administración; por ejemplo, 192.168.1.10. Pulse **Intro**.

## Paso 2 del asistente

Se muestra la información siguiente:

```
Now we need to setup your initial privilege (Level 15) user account.
This account is used to login to the CLI and Web interface. You may
setup other accounts and change privilege levels later. For more
information on setting up user accounts and changing privilege
levels, see the user documentation.
```

```
To setup a user account:
```

```
Please enter the user name:
```

```
Please enter the user password:
```

```
Please reenter the user password:
```

```
(Ahora debe configurar su cuenta de usuario de privilegio inicial
(nivel 15). Esta cuenta se utiliza para iniciar sesión en la CLI
y la interfaz web. Puede configurar otras cuentas de usuario y
cambiar los niveles de privilegio más adelante. Para obtener más
información sobre cómo configurar cuentas de usuario y cambiar
niveles de privilegio, consulte la documentación del usuario.
```

```
Para configurar una cuenta de usuario:
```

```
Introduzca el nombre del usuario:
```

```
Introduzca la contraseña del usuario:
```

```
Vuelva a introducir la contraseña del usuario:)
```

Introduzca los datos siguientes:

- Nombre de usuario, por ejemplo, "admin"
- Contraseña y confirmación de la contraseña



**NOTA:** si la contraseña y su confirmación no coinciden, el sistema le avisa.

Pulse **Intro**.

### **Paso 3 del asistente**

Se muestra la información siguiente:

Next, an IP address is setup. The IP address is defined on the default VLAN (VLAN #1), of which all ports are members. This is the IP address you use to access the CLI, Web interface, or SNMP interface for the switch.

To setup an IP address:

Please enter the IP address of the device (A.B.C.D):

Please enter the IP subnet mask (A.B.C.D or /nn):

(A continuación, se configura una dirección IP. La dirección IP se define en la VLAN predeterminada (VLAN n° 1), a la cual pertenecen todos los puertos. Ésta es la dirección IP que utilizará para acceder a la CLI, la interfaz web o la interfaz SNMP para el conmutador.

Para configurar una dirección IP:

Introduzca la dirección IP del dispositivo (A.B.C.D):

Introduzca la máscara de subred IP (A.B.C.D o /nn):

Introduzca la dirección IP y la máscara de subred IP; por ejemplo, 192.168.1.100 como dirección IP y 255.255.255.0 como máscara de subred IP.

Pulse **Intro**.

### **Paso 4 del asistente**

Se muestra la información siguiente:

Finally, setup the default gateway. Please enter the IP address of the gateway from which this network is reachable (e.g. 192.168.1.1):

Introduzca la puerta de enlace predeterminada.

Pulse **Intro**. Aparece el texto siguiente (en caso de utilizar los parámetros mencionados):

```
This is the configuration information that has been collected:
SNMP Interface = "Dell Network Manager"@192.168.1.10
User Account setup = admin
Password = *****
Management IP address = 192.168.1.100 255.255.255.0
Default Gateway = 192.168.1.1
(Ésta es la información de configuración que se ha recopilado:
Interfaz SNMP = "Dell Network Manager"@192.168.1.10
Configuración de la cuenta de usuario = admin
Contraseña = *****
Dirección IP de administración = 192.168.1.100 255.255.255.0
Puerta de enlace predeterminada = 192.168.1.1)
```

## Paso 5 del asistente

Se muestra la información siguiente:

```
If the information is correct, please select (Y) to save the
configuration, and copy to the start-up configuration file. If the
information is incorrect, select (N) to discard configuration and
restart the wizard: [Y/N]
```

(Si la información es correcta, seleccione (Y) para guardar la configuración y copie en el archivo de configuración de inicio. Si la información no es correcta, seleccione (N) para descartarla y reinicie el asistente: [Y/N])

Pulse [N] para volver a iniciar el asistente.

Pulse [Y] para completar el asistente para la instalación. Se muestra el texto siguiente:

```
Thank you for using Dell Easy Setup Wizard. You will now enter CLI
mode.
```

(Gracias por utilizar el Asistente para instalación fácil de Dell. Ahora entrará en el modo de la CLI.)

## Paso 6 del asistente

Aparece el indicador de la CLI. Consulte la guía del usuario de PowerConnect serie 5400 para obtener más información.







## צעד 5 של האשף

המידע הבא מוצג:

אם המידע נכון, אנא בחר 'כן' (Y) כדי לשמור את התצורה ולהעתיק אותו לקובץ התצורה של האתחול. אם המידע שגוי, בחר 'לא' (N) כדי למחוק את התצורה ולהפעיל מחדש את האשף: [Y/N] (כ/ל)

הזן [N] (לא) כדי לדלג ולהפעיל מחדש את האשף.

הזן [Y] (כן) כדי להשלים את פעולתו של אשף ההתקנה. המידע הבא מוצג:

אנו מודים לך עבור השימוש באשף ההתקנה הקלה של Dell. כעת תעבור למצב CLI.

## צעד 6 של האשף

שורת הפקודה של CLI מוצגת. למידע נוסף, עיין במדריך למשתמש של סדרת *PowerConnect 5400*.

### צעד 3 של האשף

המידע הבא מוצג:

כעת, יש להגדיר כתובת IP. כתובת ה-IP מוגדרת ב-VLAN המוגדר כברירת מחדל (VLAN #1). שבו כל היציאות חברות. זוהי כתובת ה-IP שבה תשתמש לגישה אל CLI, ממשק האינטרנט או ממשק SNMP של המתג.

כדי להגדיר כתובת IP:

הזן את כתובת ה-IP של ההתקן: (A.B.C.D)

הזן מסיכת רשת משנה של IP (A.B.C.D או nn):

הזן את כתובת ה-IP ואת מסיכת רשת המשנה של IP, לדוגמה 192.168.1.100 ככתובת ה-IP ו-255.255.255.0 כמסיכת רשת המשנה של IP.

הקש **Enter**.

### צעד 4 של האשף

המידע הבא מוצג:

לסיום, הגדר את שער ברירת המחדל. הזן את כתובת ה-IP של השער שממנו מתבצעת גישה לרשת זו (לדוגמה: 192.168.1.1):

הזן את שער ברירת המחדל.

הקש **Enter**. המידע הבא מוצג (בהתאם לפרמטרי הדוגמה המתוארים):

להלן פרטי התצורה שנאספו:

ממשק SNMP = "Dell Network Manager"@192.168.1.10

הגדרת חשבון משתמש = admin

סיסמה = \*\*\*\*\*

כתובת IP לניהול = 192.168.1.100 255.255.255.0

שער ברירת מחדל = 192.168.1.1

הזן [Y] כדי להמשיך באשף ההתקנה. המידע הבא מוצג:

כדי להגדיר את חשבון הניהול SNMP עליך לציין את כתובת ה-IP של מערכת הניהול ואת 'מחרוזת הקהילה' או הסיסמה באמצעותה מקבלת מערכת הניהול המסוימת הזו גישה למתג. האשף משייך לחשבון זה באופן אוטומטי את רמת הגישה הגבוהה ביותר [Privilege Level 15]. באפשרותך להשתמש ב-Network Manager של Dell או בממשקי ניהול אחרים כדי לשנות הגדרה זו מאוחר יותר וכדי להוסיף מערכת ניהול מאוחר יותר. למידע נוסף על הוספת מערכות ניהול, עיין בתיעוד למשתמש.

כדי להוסיף תחנת ניהול:

```
[MYSETUPWIZARD] >> Dell SNMP שבה ברצונך להשתמש: Dell
Network Manager
```

הזן כתובת IP של מערכת הניהול (A.B.C.D) או תווים כלליים (0.0.0.0) לניהול מתוך תחנת ניהול כלשהי, לדוגמה 192.168.1.10. הקש **Enter**.

## צעד 2 של האשף

המידע הבא מוצג:

כעת עליך להגדיר את חשבון המשתמש של ההרשאה ההתחלתית (רמה 15). חשבון זה משמש לכניסה אל CLI וממשק האינטרנט. באפשרותך להגדיר חשבונות אחרים ולשנות את רמות ההרשאה במועד מאוחר יותר. למידע נוסף על הגדרת חשבונות משתמש ושינוי רמות ההרשאה, עיין בתיעוד למשתמש.

כדי להגדיר חשבון משתמש:

הזן את שם המשתמש:

הזן את סיסמת המשתמש:

הזן שוב את סיסמת המשתמש:

הזן את הפרטים הבאים:

- שם משתמש, לדוגמה admin
- סיסמה ואישור סיסמה.

 **הערה:** המערכת מציגה הודעה אם הסיסמה הראשונה והשנייה אינן זהות.

הקש **Enter**.

אשף ההתקנה קובע את התצורה של השדות הבאים.

- כתובת IP של SNMP Community String ושל SNMP Management System (אופציונלי)
- שם משתמש וסיסמה
- כתובת IP של ההתקן
- מסיכת רשת משנה של IP
- כתובת IP של שער ברירת המחדל

אשף ההתקנה מציג את הפרטים הבאים:


ברוך הבא לאשף ההתקנה הקלה של Dell


אשף ההתקנה ינחה אותך בתהליך קביעת התצורה הראשונית של המתג, ויביא להתקנת המערכת והפעלתה במהירות האפשרית. אם תרצה, באפשרותך גם לדלג על אשף ההתקנה ולהיכנס למצב CLI כדי להגדיר את תצורת המתג באופן ידני. באפשרותך לצאת מאשף ההתקנה בכל שלב על-ידי הקשה על [CNTRL+Z]. המערכת תציג לך שאלה עם תשובת ברירת מחדל. הקשה על מקש Enter תוביל לקבלת ערך ברירת המחדל.

האם ברצונך לדלג על אשף ההתקנה? [Y/N] (כן/לא) N

אם תזין [Y] (כן), פעולת אשף ההתקנה תסתיים. אם לא תגיב במשך 60 שניות, אשף ההתקנה יסיים את פעולתו באופן אוטומטי ותוצג הנחיה של מסוף CLI.

אם תזין [N] (לא), אשף ההתקנה יספק הנחיה אינטראקטיבית בקביעת התצורה הראשונית של ההתקן.

 **הערה:** באפשרותך לצאת מאשף ההתקנה בכל שלב על-ידי הקשה על [CNTRL+Z].

 **הערה:** אם לא תגיב להנחיה כלשהי בתוך 60 שניות, אשף ההתקנה יסיים את פעולתו באופן אוטומטי. בנוסף, אף אחד מהשינויים שביצעת לא יישמר.

## צעד 1 של האשף

המידע הבא מוצג:

המערכת אינה מוגדרת לניהול SNMP כברירת מחדל.  
כדי לנהל את המתג באמצעות SNMP (דרוש עבור  
Dell Network Manager - מנהל הרשת של Dell) באפשרותך:

- להגדיר חשבון התחלתי של SNMP גרסה 2 כעת.
- לחזור למערכת מאוחר יותר ולהגדיר את החשבון של גרסה SNMP. (למידע נוסף על הגדרת חשבון של SNMP גרסה 2, עיין בתיעוד למשתמש).


האם ברצונך להגדיר את ממשק ניהול SNMP כעת? [Y/N] (כן/לא) Y


הזן [N] כדי לדלג לשלב 2.

בעת הפעלת התקן כאשר המסוף המקומי כבר מחובר, המתג מבצע בדיקה עצמית בעת ההפעלה (POST). בדיקת POST מתבצעת עם כל אתחול של ההתקן, ובמהלכה נבדקים כל רכיבי החומרה כדי לקבוע אם ההתקן כשיר לפעולה לפני השלמת האתחול. אם מזוהה בעיה קריטית, פעולת התוכנית מופסקת. אם בדיקת POST עוברת בהצלחה, תמונה תקפה של קובץ הפעלה נטענת לזיכרון RAM. הודעות POST מוצגות במסוף ומעידות על הצלחה או כישלון של המבחן.

תהליך האתחול נמשך כ-90 שניות.

## קביעת תצורה התחלתית


 **הערה:** לפני שתמשיך, קרא את הערות המוצר עבור מוצר זה. תוכל להוריד את הערות המוצר מאתר התמיכה של Dell בכתובת <http://support.dell.com>.

 **הערה:** התצורה ההתחלתית הרגילה מבוססת על ההנחות הבאות:

- תצורת התקן PowerConnect מעולם לא הוגדרה בעבר, וההתקן נמצא במצב שבו קיבלת אותו.
- אתחול התקן PowerConnect התבצע בהצלחה.
- חיבור המסוף בוצע והנחיית המסוף מוצגת על המסך של התקן מסוף VT100. (הקש על מקש <Enter> מספר פעמים כדי לוודא כי ההנחיה מוצגת כראוי).

תצורת ההתקן ההתחלתית מתבצעת דרך היציאה הטורית. לאחר קביעת התצורה ההתחלתית, ניתן לנהל את ההתקן הן מתוך היציאה הטורית שאליה הוא כבר מחובר, והן מרחוק, באמצעות ממשק שהוגדר במהלך קביעת התצורה ההתחלתית.

המערכת תציג לך בקשה להשתמש באשף ההתקנה כאשר ההתקן מבצע אתחול בפעם הראשונה, או כאשר קובץ התצורה ריק מאחר שתצורת ההתקן לא הוגדרה. אשף ההתקנה ינחה אותך בתהליך קביעת התצורה הראשונית של ההתקן, ויביא להתקנת ההתקן והפעלתו במהירות האפשרית.

 **הערה:** השג את הפרטים הבאים ממנהל הרשת שלך לפני שתקבע את תצורת ההתקן:

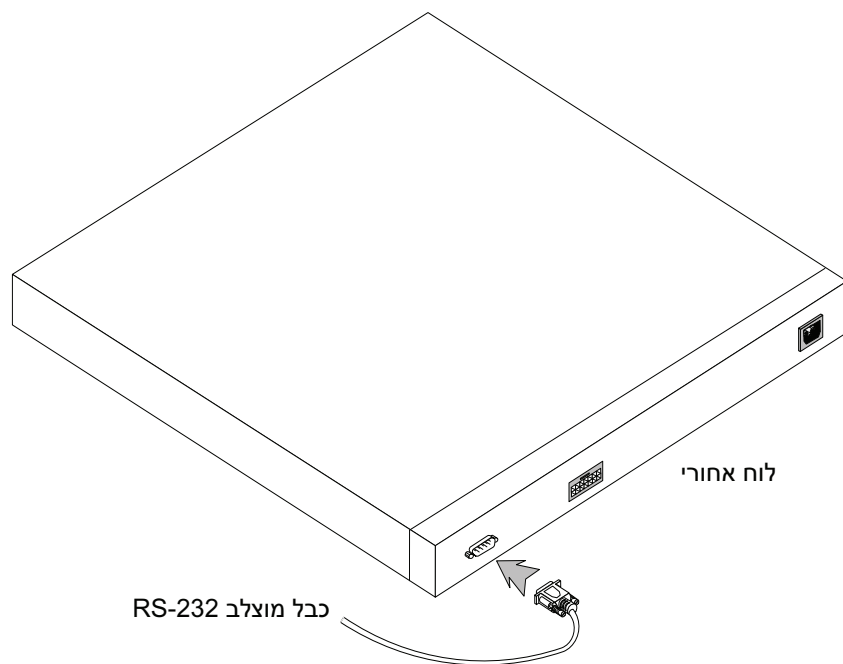
- כתובת IP של SNMP Community String ושל SNMP Management System (אופציונלי).
- שם משתמש וסיסמה.
- כתובת ה-IP שיש להקצות לממשק VLAN 1, שבאמצעותו ההתקן ינוהל (כברירת מחדל, כל יציאה חיצונית ופנימית מהווה פריט של ממשק VLAN 1)
- מסכת רשת המשנה של IP עבור הרשת
- כתובת IP של שער ברירת המחדל (נתב hop הבא) לקביעת תצורה של נתב ברירת המחדל.

אשף ההתקנה ינחה אותך בתהליך קביעת התצורה הראשונית של המתג, ויביא להתקנת המערכת והפעלתה במהירות האפשרית. תוכל לדלג על השימוש באשף ההתקנה, ולקבוע את תצורת המתג באופן ידני במצב CLI של ההתקן. עיין במדריך למשתמש של סדרת PowerConnect 5400 לקבלת סיוע בקביעת תצורה של ההתקן באמצעות CLI.

**הודעה:** אם אתה משתמש בתוכנת היפר-מסוף ב-Windows 2000, Microsoft® Windows XP או Windows Vista™, ודא שערכת ה-Service Pack העדכנית ביותר מותקנת במחשב שלך. כאשר Windows 2000 Service Pack 2 מותקן, מקשי החצים פועלים כראוי בהדמיית VT100 של היפר-מסוף. עבור לכתובת [www.microsoft.com](http://www.microsoft.com) לקבלת פרטים על ערכת ה-Service Pack של Windows XP, Windows 2000 ו-Windows Vista.

3 חבר את מחבר הנקבה של כבל מוצלב RS-232 ישירות ליציאת המסוף של ההתקן ביחידה הראשית/בהתקן עצמאי, ולאחר מכן חזק את הברגים. יציאת המסוף של סדרת PowerConnect 5400 נמצאת בלוח האחורי.

### איור 3-1 התחברות ליציאת מסוף של סדרת PowerConnect 5400



## ביצוע אתחול למתג

לאתחול המתג, בצע את הפעולות הבאות:

- 1 ודא שיציאת המסוף של ההתקן מחוברת להתקן מסוף VT100 או לתוכנת הדמיית מסוף VT100 באמצעות הכבל המוצלב RS-232.
- 2 אתר שקע חשמל AC.
- 3 בטל את פעילות שקע החשמל AC.
- 4 חבר את ההתקן לשקע החשמל AC.
- 5 הפעל מחדש את שקע החשמל AC.

# 3

## הפעלה וקביעת תצורה של ההתקן

לאחר השלמת כל החיבורים החיצוניים, חבר מסוף להתקן לקביעת תצורת ההתקן. אופן הביצוע של פונקציות מתקדמות נוספות מתואר במדריך למשתמש של PowerConnect™ 5400 של Dell™ שנמצא בתקליטור התיעוד.

**הערה:** לפני שתמשיך, קרא את הערות המוצר עבור מוצר זה. הערות המוצר ניתנות להורדה בכתובת <https://support.dell.com>

**הערה:** מומלץ להשיג את המהדורה העדכנית ביותר של התיעוד למשתמש מאתר התמיכה של Dell בכתובת <http://support.dell.com>

### חיבור המסוף להתקן

ההתקן מספק יציאת מסוף המאפשרת חיבור למחשב מסוף שולחני שבו פועלת תוכנה להדמיית מסוף, לפיקוח על ההתקן ולקביעת תצורתו. מחבר יציאת המסוף הוא מחבר זכר-9-DB, המיושם כמחבר Data Terminal Equipment (DTE).

כדי להשתמש ביציאת המסוף, דרושים הרכיבים הבאים:

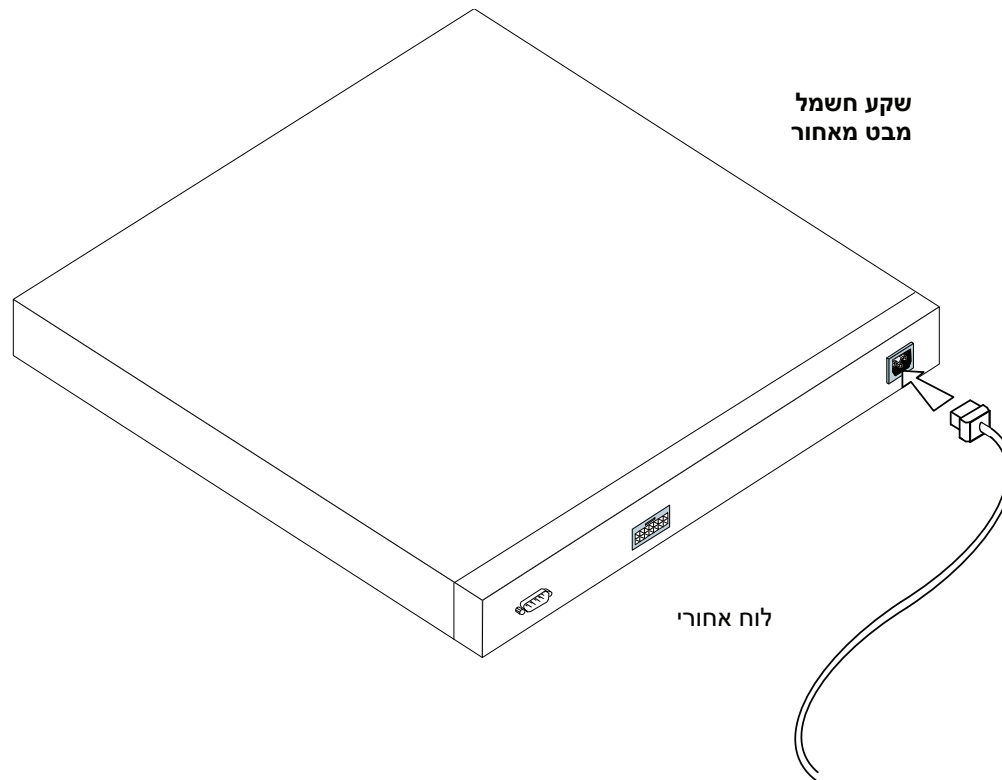
- מסוף תואם VT100 או מחשב שולחני או נייד עם יציאה טורית, שבו פועלת תוכנת הדמיית המסוף VT100.
- כבל מוצלב RS-232 עם מחבר נקבה DB-9 ליציאת המסוף, ומחבר מתאים למסוף.

כדי לחבר מסוף ליציאת המסוף של ההתקן, בצע את הפעולות הבאות:

- 1 חבר את הכבל המוצלב RS-232 המסופק, למסוף שבו פועלת תוכנת הדמיית המסוף VT100.
- 2 ודא שתוכנת הדמיית המסוף מוגדרת בהתאם להנחיות הבאות:
  - א בחר את היציאה הטורית המתאימה (יציאה טורית 1 או יציאה טורית 2) שברצונך לחבר למסוף.
  - ב הגדר את קצב הנתונים ל-9600 באוד.
  - ג קבע את תבנית הנתונים ל-8 סיביות, נקודת עצירה אחת, ללא זוגיות.
  - ד הגדר את Flow Control (בקרת זרימה) כ-None (ללא).
  - ה תחת 'מאפיינים', בחר VT100 עבור מצב ההדמיה.
  - ו בחר מקשי מסוף עבור מקשי הפונקציות, מקשי החצים ומקשי Ctrl. ודא שההגדרה חלה על מקשי המסוף (לא על מקשי Windows).

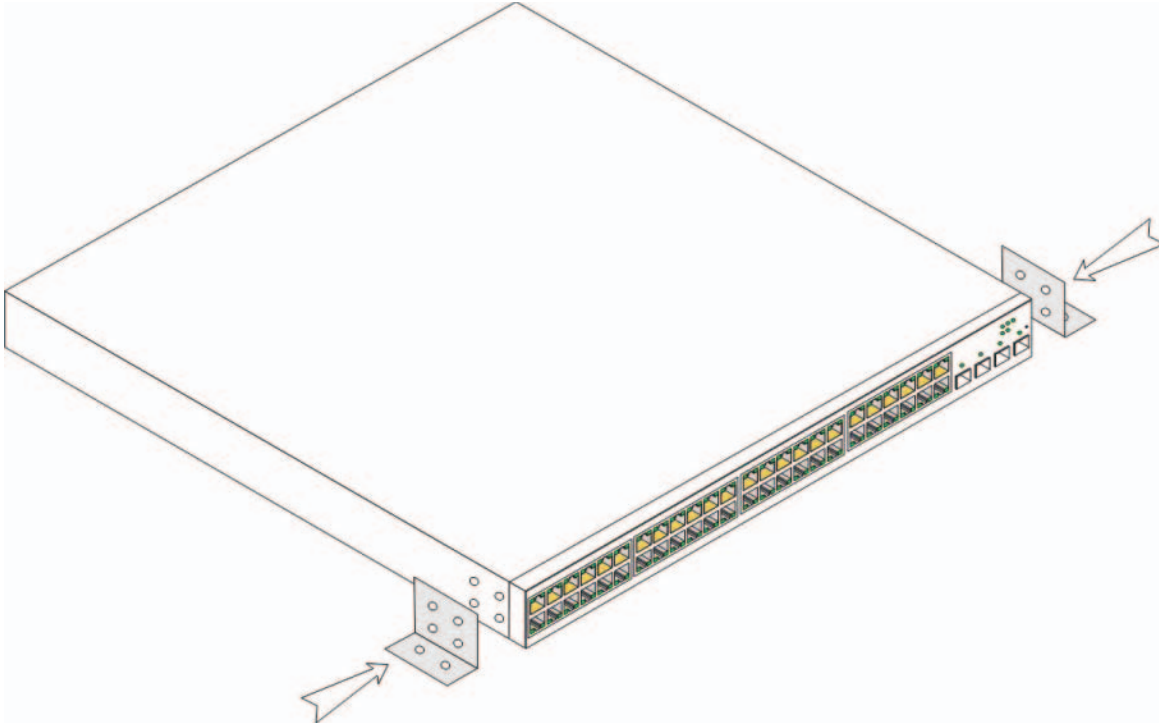


איור 2-3. חיבור לספק הכוח



3 ודא שההתקן מחובר ופועל כראוי על-ידי בדיקת הנורות בלוח הקדמי.

איור 2-2. חיבור כני הרכבה להתקנה על הקיר



### חיבור התקן לספק מתח

- 1 תוך שימוש בכבל זרם החילופין המצורף, חבר את כבל החשמל למחבר זרם החילופין הממוקם בלוח האחורי.
- 2 אל תחבר את כבל החשמל לשקע מוארק בשלב זה. בשלבים המפורטים בסעיף "הפעלה וקביעת תצורה של ההתקן" תתבקש לחבר את ההתקן למקור חשמל.

- 2 הכנס את הברגים שסופקו לתוך החורים המיועדים להתקנת המעמד וחזק אותם באמצעות מברג.
- 3 חזור על התהליך עבור כן ההתקנה בצידו השני של ההתקן.
- 4 הכנס את היחידה למעמד בגודל 48.26 ס"מ (19 אינץ') וודא שהחורים בהתקן מיושרים עם החורים במעמד.
- 5 חזק את היחידה למעמד באמצעות ברגים (לא מסופקים). חזק את שני הברגים התחתונים לפני שני הברגים העליונים. ודא שפתחי האוורור אינם חסומים.

### התקנה על משטח ישר

- אם ההתקן אינו מותקן על מעמד, יש להתקינו על-גבי משטח ישר. על המשטח לשאת במשקל ההתקן וכבלי ההתקן.
- 1 חבר את רגלי הגומי לכל מיקום מסומן בחלקה התחתון של תושבת ההתקן.
  - 2 הצב את ההתקן על גבי משטח ישר והקפד להשאיר 5.08 ס"מ (2 אינץ') בצדי ההתקן ו-12.7 ס"מ (5 אינץ') בחלקו האחורי.
  - 3 ודא שההתקן מקבל אוורור הולם.

### התקנה על קיר

כדי להתקין את המתג על קיר:

- 1 ודא שהמיקום שבחרת להתקנה עונה על הדרישות הבאות:
  - פני שטח הקיר צריכים להתאים לתמיכה במתג.
  - השאר לפחות 5.1 ס"מ (2 אינץ') בצדדים, כדי להבטיח אוורור הולם, ולפחות 12.7 ס"מ (5 אינץ') בחלק האחורי, כדי לאפשר גישה נוחה לכבלי החשמל.
  - אין להתקין את המתג במיקום שחשוף לקרינה ישירה של אור שמש.
  - יש לשמור על מרחק של חצי מטר לפחות בין המתג לבין מפזרי חום, ויש להקפיד שמשבי האוויר החם לא יפנו לכיוון המכשיר.
  - יש להקפיד שמיקום המתג יהיה מאוורר כדי למנוע הצטברות חום.
  - אין למקם את המתג בקרבת כבל נתונים או כבל חשמל.
  - על כבל החשמל להגיע לשקע חשמל בקיר.
- 2 השתמש בברגים שסופקו, כדי לחבר את כני ההרכבה לשני צידי המתג (ראה האיור הבא).

# 2

## הרכבת ההתקן

### סקירה כללית

הוראות ההרכבה הבאות חלות על מתגים מסדרת PowerConnect 5400. חיבורי החשמל של ההתקן ממוקמים בלוח האחורי. חיבור ספק כוח נוסף (RPS) הוא אופציונלי, אך מומלץ. חיבור ה-RPS ממוקם בלוח האחורי של ההתקן.

### התקנת מעמד ההתקן

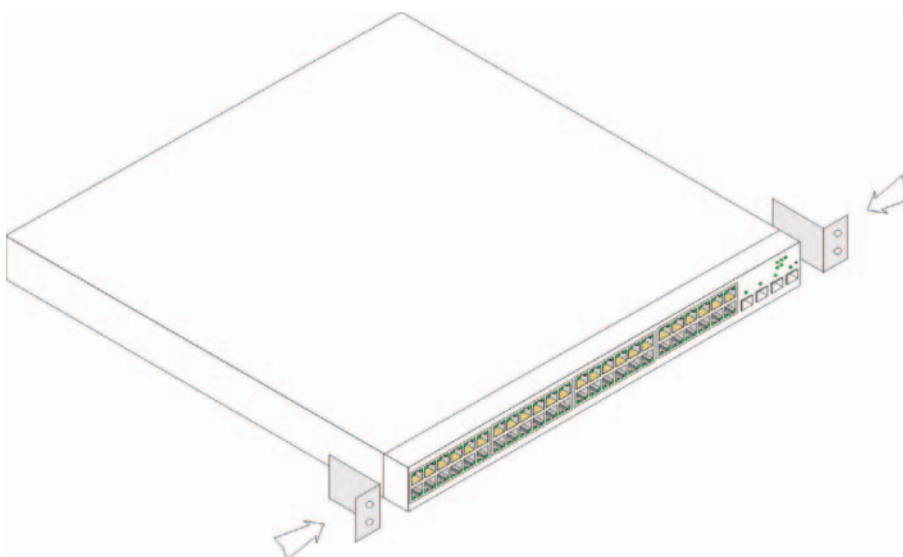
**⚠ התראה:** קרא את מידע הבטיחות במדריך המידע של המוצר, וכן את מידע הבטיחות של כל ההתקנים האחרים המחוברים למתג או תומכים בו.

**⚠ התראה:** נתק את כל הכבלים מהיחידה לפני הרכבת ההתקן במעמד או בארונות.

**⚠ התראה:** בעת הרכבת התקנים מרובים במעמד, הרכב את ההתקנים מלמטה למעלה.

1 הצמד את כני ההרכבה המשמשים להתקנת המעמד בצד אחד של ההתקן וודא שהחורים בהתקן מיושרים עם החורים בכך ההרכבה להתקנת המעמד. האיור הבא מדגים היכן יש להרכיב את כני ההרכבה.

איור 2-1. חיבור כני ההרכבה להתקנה על מעמד




## הוצאת היחידה מן האריזה

### תכולת האריזה

בעת הוצאת ההתקן מאריזתו, ודא שהפריטים הבאים כלולים :

- התקן/מתג
- כבל חשמל
- כבל מוצלב RS-232
- רפידות גומי להדבקה עצמית
- ערכת הרכבה של המעמד, להתקנת המעמד
- תקליטור התיעוד

### הוצאת ההתקן מהאריזה

 **הערה:** לפני הוצאת ההתקן מאריזתו, בדוק את תכולת האריזה ודווח באופן מיידי על כל עדות לנזק.

- 1 הנח את הקופסה על משטח פנוי וישר, וגזור את כל הרצועות המשמשות לקשירת הקופסה.
- 2 פתח את הקופסה או הסר את מכסה הקופסה.
- 3 הוצא בזירות את היחידה מהקופסה, והנח אותה על משטח יציב ופנוי.
- 4 הוצא את כל חומרי האריזה.
- 5 בדוק אם יש פגמים במוצר. אם תגלה פגם כלשהו, דווח עליו באופן מיידי.

# 1

## התקנה

### סקירה כללית

מסמך זה מספק מידע בסיסי להתקנת המתגים מסדרת PowerConnect 5400 והפעלתם. לקבלת מידע נוסף, ראה "מדריך למשתמש – PowerConnect™ 5400 של Dell™" בתקליטור התייעוד, או בקר באתר התמיכה של Dell בכתובת [www.support.dell.com](http://www.support.dell.com) לקבלת העדכונים האחרונים לתייעוד ולתוכנה.

### הכנת האתר

#### דרישות האתר

ההתקנים מסדרת PowerConnect 5400 ניתנים להתקנה על גבי מעמד ציוד רגיל בגודל 48.26 ס"מ (19 אינץ') או למיקום על שולחן. לפני התקנת היחידה, ודא שהמקום שבחרת להתקנה עונה על דרישות האתר המתוארות להלן.

- **חשמל** – היחידה מותקנת ליד שקע AC 100-250 וולט, 50-60 הרץ, נגיש בקלות. מומלץ להשתמש בשני ספקי כוח נפרדים; לדוגמה, ספק כוח נוסף (RPS) וספק כוח מופעי נפרד.
- **כללי** – יש לוודא שספק הכוח מותקן כראוי (נורות ה-LED בלוח הקדמי צריכות להיות מוארות).
- **שטח פנוי** – יש להשאיר שטח פנוי הולם בחזית ההתקן כדי לאפשר גישה למפעיל. השאר שטח פנוי לכבלים, לחיבורי החשמל ולאוויר.
- **כבלים** – יש לנתב את הכבלים באופן שימנע רעשים חשמליים ממקורות כמשדרי רדיו, מגברי שידור, קווי מתח ומתקני תאורה פלואורסצנטיים.
- **תנאי סביבה** – טווח טמפרטורות הסביבה לפעולה תקינה של היחידה הוא 0°C עד 45°C (32°F עד 113°F) בלחות יחסית של 10% עד 90% ללא עיבוי.



# תוכן העניינים

## 1 התקנה

187	.....	סקירה כללית
187	.....	הכנת האתר
187	.....	דרישות האתר
188	.....	הוצאת היחידה מן האריזה
188	.....	תכולת האריזה
188	.....	הוצאת ההתקן מהאריזה

## 2 הרכבת ההתקן




189	.....	סקירה כללית
189	.....	התקנת מעמד ההתקן
190	.....	התקנה על משטח ישר
190	.....	התקנה על קיר
191	.....	חיבור התקן לספק מתח

## 3 הפעלה וקביעת תצורה של ההתקן

193	.....	חיבור המסוף להתקן
194	.....	ביצוע אתחול למתג
195	.....	קביעת תצורה התחלתית



## הערות, הודעות והתראות

-  **הערה:** הערה מציינת מידע חשוב שיסייע לך לנצל את ההתקן בצורה טובה יותר.
-  **הודעה:** הודעה מציינת אפשרות של נזק לחומרה או אובדן נתונים ומסבירה כיצד להימנע מהבעיה.
-  **התראה:** התראה מציינת אפשרות של נזק לרכוש, פגיעה גופנית או מוות.

---

המידע הכלול במסמך זה נתון לשינויים ללא הודעה מוקדמת.  
© 2007 Dell Inc. כל הזכויות שמורות.

חל איסור מוחלט על שעתוק מסמך זה, בכל דרך שהיא, ללא קבלת רשות בכתב מאת **Dell Inc.** סימנים מסחריים המופיעים במסמך זה: *Dell*, *Dell OpenManage*, הלוגו של *DELL*, *Inspiron*, *Dell Precision*, *Dimension*, *OptiPlex*, *PowerConnect*, *PowerApp*, *PowerVault*, *Axim* וכן *DellNet* הם סימנים מסחריים של *Dell Inc.* *Windows*, *Microsoft*. *Windows Server* וכן *Windows Vista* הם סימנים מסחריים או סימנים מסחריים רשומים של חברת מיקרוסופט בארצות הברית ו/או בארצות אחרות.

סימנים מסחריים ושמות מסחריים אחרים המוזכרים במסמך זה מתייחסים לגורמים הטוענים לבעלות על הסימנים ועל השמות, או למוצרים של גורמים אלה. *Dell Inc.* מתנערת מכל עניין קנייני בסימני מסחר ובשמות מסחריים, למעט הסימנים והשמות שלה עצמה.

נובמבר 2007 מספר חלק NG720 מהדורה A01

מערכות Dell™ של PowerConnect™ 54xx  
מדריך תחילת העבודה

Dell™ PowerConnect™ 54xx Sistemleri

## Başlangıç Kılavuzu

## Notlar, Bildirimler ve Dikkat Notları



**NOT:** NOT, aygıttan daha iyi yararlanmanıza yardımcı olan önemli bilgileri belirtir.



**BİLDİRİM:** BİLDİRİM, donanıma zarar gelme veya veri kaybı tehlikesini belirtir ve sorunun oluşmasını nasıl önleyeceğiniz hakkında bilgi verir.



**DİKKAT:** DİKKAT, mülke zarar gelme, kişisel yaralanma veya ölüm tehlikesini belirtir.

---

**Bu belgedeki bilgiler önceden bildirilmeksizin değiştirilebilir.**

**© 2007 Dell Inc. Tüm hakları saklıdır.**

Dell Inc. tarafından yazılı izin olmadan herhangi bir şekilde çoğaltılması kesinlikle yasaktır.

Bu metinde kullanılan ticari markalar: *Dell, Dell OpenManage, DELL* logosu, *Inspiron, Dell Precision, Dimension, OptiPlex, PowerConnect, PowerApp, PowerVault, Axim, DellNet* ve *Latitude*, Dell Inc. kuruluşunun ticari markalarıdır. *Microsoft* ve *Windows*, Microsoft Corporation kuruluşunun tescilli ticari markalarıdır.

Belirli işaretler ile adların veya ürünlerin sahibi olan tüzel kişiliklere başvuru yapma üzere bu belgede başka ticari markalar ve ticari adlar kullanılmış olabilir. Dell Inc., kendisi dışındaki ticari markalar ve ticari adlara ilişkin herhangi bir sahiplik iddiasında bulunmamaktadır.

# İçindekiler

1	Kurulum	
	<b>Genel Bakış</b> . . . . .	<b>205</b>
	<b>Yeri Hazırlama</b> . . . . .	<b>205</b>
	Yerin Koşulları . . . . .	205
	<b>Paketi Açma</b> . . . . .	<b>206</b>
	Paketin İçindekiler . . . . .	206
	Aygıtı Paketinden Çıkarma . . . . .	206
2	Aygıtı Takma	
	<b>Genel Bakış</b> . . . . .	<b>207</b>
	Aygıt Raf Kurulumu . . . . .	207
	Düz Bir Yüze Kurma . . . . .	208
	Duvara takma . . . . .	209
	Aygıtı Güç Kaynağına Bağlama . . . . .	210
3	Aygıtı Çalıştırma ve Yapılandırma	
	<b>Aygıt Terminal Bağlama</b> . . . . .	<b>211</b>
	<b>Anahtarı Başlatma</b> . . . . .	<b>212</b>
	<b>Başlangıç Yapılandırması</b> . . . . .	<b>213</b>



# Kurulum

## Genel Bakış

Bu belgede PowerConnect 5400 serisi anahtarların kurulması ve çalışır hale getirilmesiyle ilgili temel bilgiler verilmektedir. Daha fazla bilgi için, Belgeler CD'nizde bulunan Dell™ PowerConnect™ 5400 serisi Kullanım Kılavuzuna veya belgeler ve yazılıma ilişkin en yeni güncellemeler için Dell destek web sitesine bakın ([www.support.dell.com](http://www.support.dell.com)).

## Yeri Hazırlama

### Yerin Koşulları

PowerConnect 5400 serisi aygıtlar standart 48,26 cm (19 inç) donanım rafına takılabilir veya bir masaya konabilir. Birimi kurmadan önce, kurulum için seçtiğiniz yerin aşağıda belirtilen yerle ilgili gereksinimlere uygun olduğundan emin olun.

- **Güç** — Birim, 100-250 VAC, 50-60 Hz özellikte, erişimi kolay bir prizin yakınlarına kurulmalıdır. İki ayrı güç kaynağının kullanılması önerilir (örneğin, bir RPS ve ayrı fazlı bir diğer kaynak).
- **Genel** — Ön panelde yanan LED'lere bakarak güç kaynağının doğru şekilde takıldığından emin olun.
- **Boşluk** — Ön tarafta operatörün erişebileceği kadar boş alan olmalıdır. Kablo sistemi, güç bağlantıları ve havalandırma için yeterli boşluk olmalıdır.
- **Kablo Sistemi** — Kablo sistemi, elektrik paraziti yapan kaynaklardan (örneğin, radyo vericileri, yayın amfileri, elektrik hatları ve floresan aydınlatma sistemleri) uzakta olacak şekilde döşenmelidir.
- **Çevre Koşulları** — Birimin çalıştırılacağı ortam ısısı 0 - 45°C (32 - 113°F) arasında olmalıdır (%10-90, yoğunlaşmayan bağıl nem).

# Paketi Açma

## Paketin İçindekiler

Aygıtı paketinden çıkarırken, aşağıdaki öğelerin pakette bulunduğundan emin olun:

- Aygıt/Anahtar
- AC güç kablosu
- RS-232 aktarma kablosu
- Kendinden yapışkanlı kauçuk yastıklar
- Raf kurulumu için raf montaj seti
- Belgeler CD'si

## Aygıtı Paketinden Çıkarma



**NOT:** Aygıtı paketten çıkarmadan önce, paketi inceleyin ve herhangi bir hasar belirtisi varsa hemen bildirin.

- 1 Kutuyu temiz, düz bir yere koyun ve kutunun etrafındaki tüm bantları çıkarın.
- 2 Kutuyu açın veya kutu kapağını çıkarın.
- 3 Birimi kutudan dikkatli bir şekilde çıkarın ve sağlam, temiz bir yüzeye koyun.
- 4 Tüm paketleme malzemelerini ortadan kaldırın.
- 5 Üründe hasar olup olmadığını kontrol edin. Hasar varsa hemen bildirin.






# Aygıt Takma

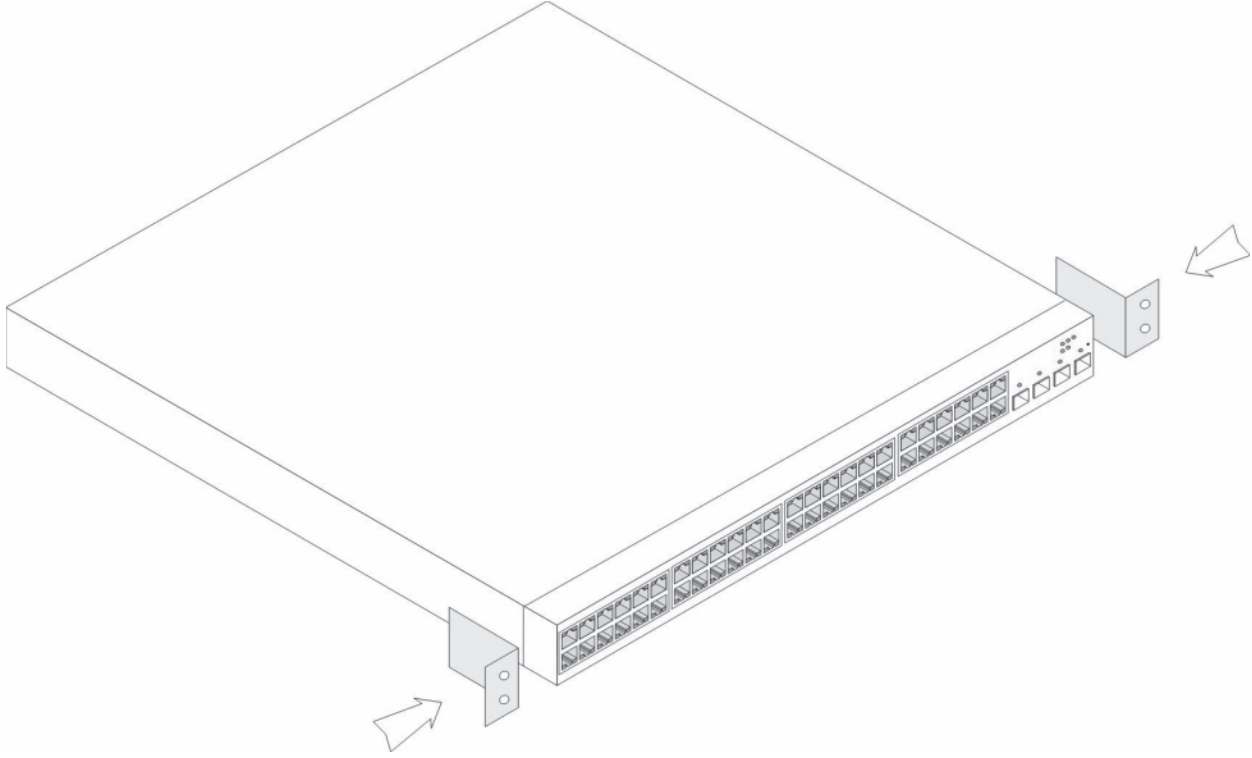
## Genel Bakış

Aşağıdaki montaj yönergeleri PowerConnect 5400 serisi anahtarlar içindir. Aygıtın güç konektörleri arka panelindedir. Yedek Güç Kaynağı (RPS) bağlanması kullanıcının tercihine bırakılmış olmakla birlikte önerilen bir uygulamadır. RPS konektörü aygıtın arka panelindedir.

### Aygıt Raf Kurulumu

-  **DİKKAT:** Ürün bilgileri Kılavuzundaki güvenlik bilgilerini ve anahtara bağlanan veya onu destekleyen diğer aygıtların güvenlik bilgilerini okuyun.
  -  **DİKKAT:** Aygıtı bir rafa veya kabine takmadan önce birime bağlı tüm kabloları çıkarın.
  -  **DİKKAT:** Bir rafa birden fazla aygıt takarsanız, aşağıdan yukarı doğru takın.
- 1 Aygıttaki montaj deliklerini raf montaj köşebendinde bulunan deliklerle aynı hizaya getirerek, verilen raf montaj köşebendini aygıtın bir tarafına yerleştirin. Aşağıdaki resimde köşebentlerin nereye yerleştirileceği gösterilmektedir.

**Şekil 2-1. Raf Montajı için Köşebendin Takılması**



- 2** Verilen vidaları raf montaj deliklerine takıp bir tornavidayla sıkın.
- 3** Aygıtın diğer tarafındaki raf montaj köşebendi için bu işlemi tekrarlayın.
- 4** Aygıttaki raf montaj deliklerini raftaki montaj deliği ile aynı hizaya getirerek birimi 48,26 cm (19 inç) rafa takın.
- 5** Raf vidalarını (ürünle verilmemiştir) kullanarak birimi rafa sabitleyin. Üstteki vidalardan önce alttakileri sıkın. Havalandırma deliklerinin engellenmediğinden emin olun.

### **Düz Bir Yüze Kurma**

Aygıt rafa takılmayacaksa düz bir yüze kurulmalıdır. Yüze aygıtın ve aygıt kablolarının ağırlığını taşıyabilmelidir.

- 1** Kauçuk ayakları aygıt kasasının altındaki işaretli yerlere takın.
- 2** Aygıtı, yanlarda 5,08 cm (2 inç), arka tarafta ise 12,7 cm (5 inç) boşluk bırakarak sabit bir yüze yerleştirin.
- 3** Aygıtın gerektiği gibi hava aldığından emin olun.

## Duvara takma

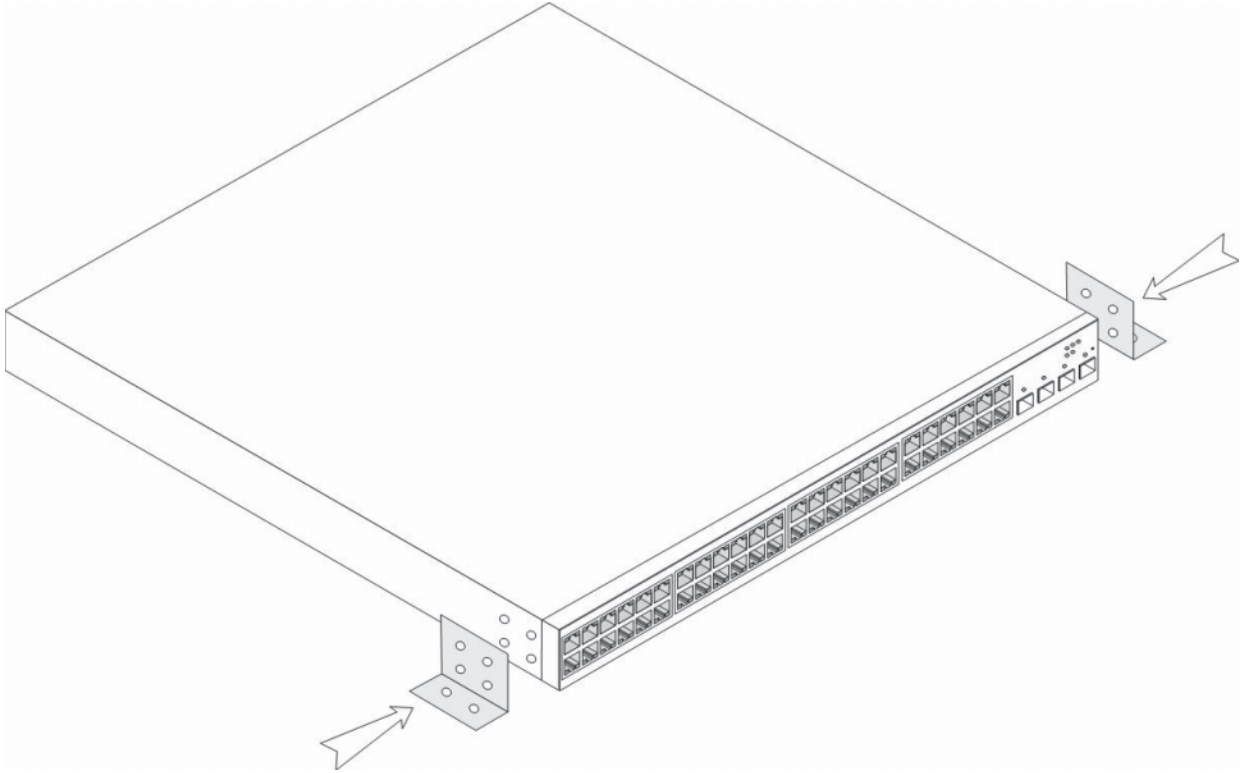
Anahtarı duvara takmak için:

**1** Montaj yerinin aşağıdaki koşullara uygun olduğundan emin olun:

- Duvarın yüzeyi anahtarı taşıyabilmelidir.
- Gerekli gibi bir havalandırma olmasını sağlamak üzere yanlardan en az 5,1 cm (2 inç), arka taraftan ise güç kablosu için 12,7 cm (5 inç) boşluk bırakın.
- Aygıtın bulunduğu yer doğrudan güneş ışığı almamalıdır.
- Bu yer, herhangi bir ısı kaynağından en az 60 cm uzakta olmalı, oda ısıtma cihazları doğrudan birime bakıyor olmamalıdır.
- Isınmaması için bu yer gerektiği gibi hava almalıdır.
- Anahtarı veri veya elektrik kablolarının yakınına yerleştirmeyin.
- Güç kablosu bir prize takılabilmelidir.

**2** Anahtarın iki yanına bir montaj köşebendi takmak için, ürünle verilen vidaları kullanın (aşağıdaki resme bakın).

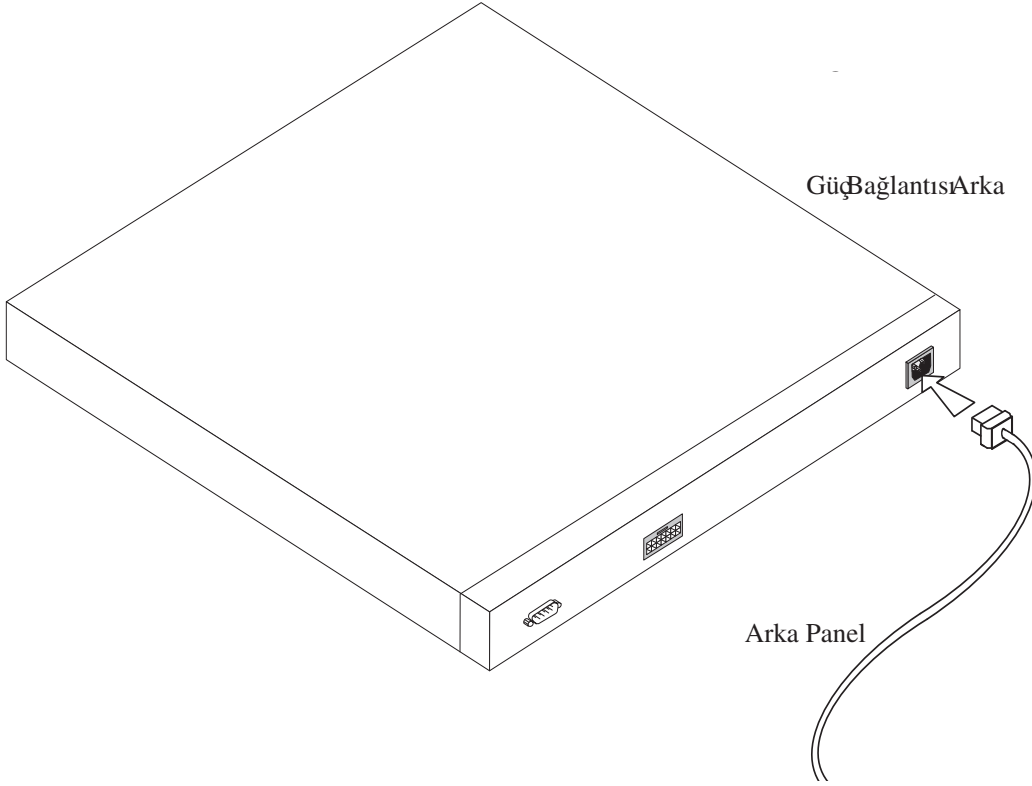
**Şekil 2-2. Duvara Montaj için Köşebent Takma**



## Aygıt Güç Kaynağına Bağlama

- 1 Verilen AC güç kablosunu kullanarak güç kablosunu arka paneldeki AC konektörüne bağlayın.
- 2 Bu noktada, güç kablosunu topraklanmış bir AC prize takmayın. Aygıtı Başlatma ve Yapılandırma bölümündeki adımlarda anlatıldığı gibi aygıtı bir güç kaynağına bağlayın.


Şekil 2-3. Güç Kaynağına Bağlama




- 3 Ön paneldeki LED'lere bakarak aygıtın bağlı olduğundan ve düzgün şekilde çalıştığından emin olun.

## Aygıtı Çalıştırma ve Yapılandırma

Tüm harici bağlantıları yaptıktan sonra, aygıtı yapılandırmak üzere aygıtı bir terminal bağlayın. Ek gelişmiş işlevlerin nasıl kullanılacağı belge CD'sindeki *Dell™ PowerConnect™ 5400 Kullanıcı Kılavuzu*'nda anlatılmıştır.

 **NOT:** Devam etmeden önce, bu ürünün sürüm notlarını okuyun. Sürüm notları <http://support.dell.com> adresinden indirilebilir.

 **NOT:** <http://support.dell.com> adresindeki Dell destek web sitesinden kullanıcı belgelerinin en yeni sürümünü edinmeniz önerilir.

### Aygıtı Terminal Bağlama

Aygıtın, aygıtı izlemek ve yapılandırmak için terminal öykünme yazılımı çalıştıran bir terminal masaüstü sistemine bağlantı olanağı veren Konsol bağlantı noktası vardır. Konsol bağlantı noktası konektörü bir DB-9 erkek konektördür ve veri terminali donanımı (DTE) konektörü olarak kullanılır.

Konsol bağlantı noktasını kullanmak için aşağıdakiler gerekir:

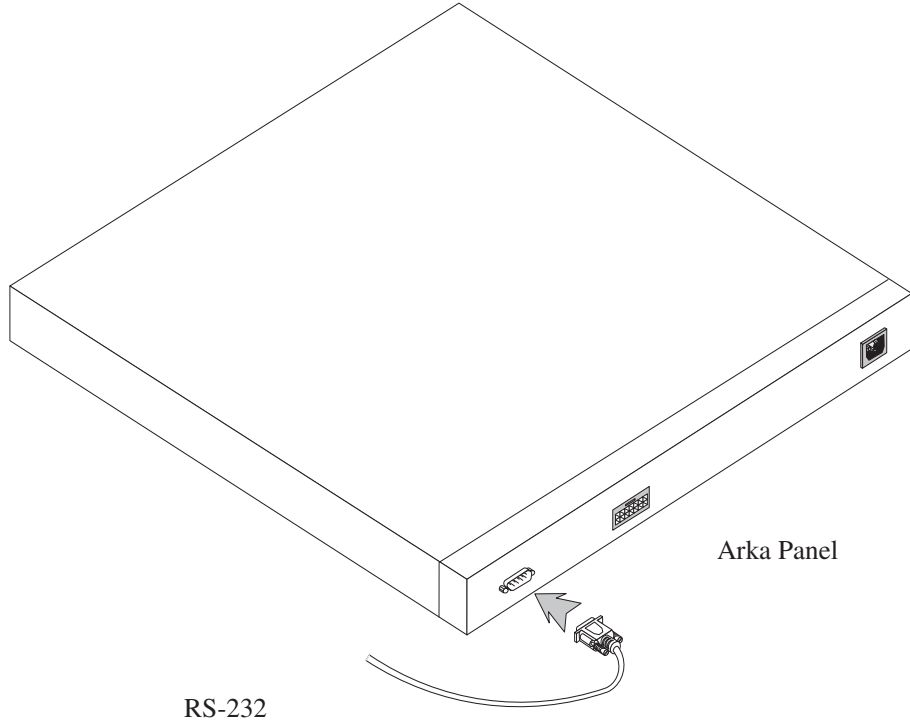
- Seri bağlantı noktası bulunan ve VT100 terminal öykünme yazılımı çalıştıran, VT100 uyumlu terminal veya bir masaüstü sistemi ya da taşınabilir sistem.
- Konsol bağlantı noktası için DB-9 dişi konektörü bulunan bir RS-232 aktarma kablosu ve terminal için uygun konektör.

Aygıtın Konsol bağlantı noktasına bir terminal bağlamak için aşağıdakileri yapın:

- 1 Verilen RS-232 aktarma kablosunu, VT100 terminal öykünme yazılımını çalıştıran terminale takın.
- 2 Terminal öykünme yazılımının aşağıdaki gibi ayarlandığından emin olun:
  - a Konsola bağlanmak için uygun seri bağlantı noktasını (seri bağlantı noktası 1 veya seri bağlantı noktası 2) seçin.
  - b Veri hızını 9600 baud olarak ayarlayın.
  - c Veri formatını 8 veri bit, 1 durak biti ve eşleme yok seçeneğine ayarlayın.
  - d Akış denetimini yok seçeneğine ayarlayın.
  - e Özellikler altında, Öykünme modu için VT100'ü seçin.
  - f İşlev, Ok ve Ctrl tuşları için Terminal tuşlarını seçin. Ayarın Windows tuşları için değil, Terminal tuşları için olduğundan emin olun.

- ➔ **BİLDİRİM:** Microsoft® Windows 2000, Windows XP veya Windows Vista ile HyperTerminal'i kullanırken, en yenisiz paketlerini yüklediğinizden emin olun. Windows 2000 Servise Paketi 2 ile, ok tuşları HyperTerminal'in VT100 öykünmesinde düzgün şekilde çalışır. [www.microsoft.com](http://www.microsoft.com) adresinden, Windows 2000, Windows XP ve Windows Vista servis paketleriyle ilgili bilgi alabilirsiniz.
- 3 RS-232 aktarma kablosunun dışı fişini doğrudan Ana birimdeki/bağımsız aygıttaki Konsol bağlantı noktasına takın ve sabitleme vidalarını sıkın. PowerConnect 5400 serisi Konsol bağlantı noktası arka paneldedir.

Şekil 3-1. PowerConnect 5400 Serisi Konsol Bağlantı Noktasına Bağlantı



## Anahtarı Başlatma

Anahtarı başlatmak için aşağıdakileri yapın:

- 1 Aygıtın konsol bağlantı noktasının bir VT100 terminal aygıtına veya RS-232 aktarma kablosu ile VT100 terminal öykünmesine bağlı olduğundan emin olun.
- 2 Bir AC prizi bulun.
- 3 AC prizini devre dışı bırakın.
- 4 Aygıtı AC prize bağlayın.
- 5 AC prizini etkinleştirin.

Yerel terminal bağılı iken güç açıksa, anahtar Power On Self Test (Açılış Sırasında Kendi Kendini Sınama) (POST) moduna geçer. POST, aygıt her başlatıldığında çalışır ve aygıtı tam olarak başlatmadan önce tam anlamıyla işleyip işlemediğini belirlemek için donanım bileşenlerini kontrol eder. Önemli bir sorun algılanırsa, program akışı durdurulur. POST işlemi başarılı olursa, RAM'e geçerli bir yürütülebilir görüntü yüklenir. Terminalde POST iletileri görüntülenir ve testin başarılı veya başarısız olduğunu belirtir.

Başlatma işlemi yaklaşık 90 saniye sürer.

## Başlangıç Yapılandırması



**NOT:** Devam etmeden önce, bu ürünün sürüm notlarını okuyun. Sürüm notlarını <http://support.dell.com> adresindeki Dell destek web sitesinden indirebilirsiniz.



**NOT:** Temel başlangıç yapılandırması aşağıdaki varsayımlara göre yapılır:

- PowerConnect aygıtı daha önce hiç yapılandırılmamıştır ve aldığınız durumdadır.
- PowerConnect aygıtı başarıyla başlatılmıştır.
- Konsol bağlantısı yapılmıştır ve bir VT100 terminal aygıtının ekranında konsol komut istemi görüntülenmiştir. (Komut isteminin düzgün şekilde görüntülendiğini doğrulamak için <Enter> tuşna birkaç defa basın.)

Aygıtın başlangıç yapılandırması Seri bağlantı noktası kullanılarak yapılır. Başlangıç yapılandırmasından sonra, aygıt bağılı olan Seri bağlantı noktasından veya başlangıç yapılandırması sırasında tanımlanmış bir arayüz kullanılarak uzaktan yönetilebilir.

Sistem, aygıt ilk defa başlatıldığında veya aygıt yapılandırılmadığı için yapılandırma dosyası boş ise Kurulum Sihirbazını kullanmanızı ister. Kurulum Sihirbazı başlangıç yapılandırmasında yol gösterir ve aygıtı olabildiğince hızlı şekilde başlatıp çalıştırır.



**NOT:** Aygıtı yapılandırmadan önce ağ yöneticinizden aşağıdaki bilgileri edinin:

- SNMP Topluluğu Dizesi ve SNMP Yönetim Sistemi IP adresi (isteğe bağılı).
- Kullanıcı Adı ve Parola.
- VLAN 1 arayüzüne atanacak ve aygıtın yönetilmesi için kullanılacak olan IP adresi (varsayılan olarak, her harici ve dahili bağlantı noktası VLAN 1'in üyesidir).
- Ağın IP alt ağ maskesi.
- Varsayılan rotayı yapılandırmak için varsayılan ağ geçidi (bir sonraki atlama yönlendiricisi) IP adresi.

Kurulum Sihirbazı anahtar başlangıç yapılandırmasında size yol gösterir ve sistemi olabildiğince hızlı şekilde başlatıp çalıştırır. Kurulum Sihirbazını kullanmayı atlayıp, aygıtın CLI modunu kullanarak anahtarı elle yapılandırabilirsiniz. CLI kullanarak aygıtı yapılandırma konusunda yardım için *PowerConnect 5400 Serisi Kullanıcı Kılavuzu*'na bakın.

Kurulum Sihirbazı aşağıdaki alanları yapılandırır.

- SNMP Topluluğu Dizesi ve SNMP Yönetim Sistemi IP adresi (isteğe bağlı)
- Kullanıcı Adı ve Parola
- Aygıt IP adresi
- IP alt ağ maskesi
- Varsayılan Ağ Geçidi IP adresi

Kurulum Sihirbazı aşağıdaki bilgileri görüntüler:

```
Welcome to Dell Easy Setup Wizard
```

```
The Setup Wizard guides you through the initial switch configuration,
and gets you up and running easily and quickly. You can also skip the
setup wizard, and enter CLI mode to manually configure the switch if
you prefer. You can exit the setup wizard any time by entering
[CNTRL+Z]. The system will prompt you with a default answer. By
pressing Enter, you accept the default value.
```

```
Would you like to skip the setup wizard? [Y/N] N
```

(Dell Kolay Kurulum Sihirbazına Hoş Geldiniz)

Kurulum Sihirbazı, anahtarın başlangıç yapılandırmasında size yol gösterir; kolay ve hızlı şekilde çalışmaya başlamanızı sağlar. İsterseniz, kurulum sihirbazını atlayıp CLI moduna girerek anahtarı elle yapılandırabilirsiniz. İstediginizde [CNTRL+Z] tuşlarına basarak kurulum sihirbazından çıkabilirsiniz. Sistem size varsayılan bir yanıt verir. Enter tuşuna basarak, varsayılan değeri kabul edersiniz.

Kurulum sihirbazını atlamak istiyor musunuz? [E/H] H)

[E] girerseniz, Kurulum sihirbazından çıkılır. 60 saniye içinde yanıt vermezseniz, Kurulum sihirbazından otomatik olarak çıkılır ve CLI konsol istemi görüntülenir.

[H] girerseniz, Kurulum sihirbazı aygıtın başlangıç yapılandırmasında size etkileşimli şekilde yol gösterir.



**NOT:** İstedığınız zaman [CNTRL+Z] girerek Kurulum sihirbazından çıkabilirsiniz.



**NOT:** Bir isteme 60 saniye içinde yanıt vermezseniz, Kurulum sihirbazından otomatik olarak çıkılır. Ayrıca, yaptığınız değişikliklerin hiçbiri kaydedilmez.



## Sihirbaz Adımı 1

Aşağıdaki bilgiler görüntülenir:

The system is not setup for SNMP management by default. To manage the switch using SNMP (required for Dell Network Manager) you can:  
(Varsayılan olarak, sistem SNMP yönetimi için ayarlanmamıştır. SNMP (Dell Ağ Yöneticisi için gerekir) kullanarak anahtarı yönetmek için şunları yapabilirsiniz:)

- Setup the initial SNMP version 2 account now.  
(Başlangıç SNMP sürüm 2 hesabını şimdi ayarlama.)
- Return later and setup the SNMP version account. (For more information on setting up a SNMP version 2 account, see the user documentation).  
(Daha sonra tekrar dönerek SNMP sürümü hesabı ayarlama. (SNMP sürüm 2 hesabı ayarlama ile ilgili daha fazla bilgi için kullanıcı belgelerine bakın).)

Would you like to setup the SNMP management interface now? [Y/N] Y  
(SNMP yönetim arayüzünü şimdi ayarlamak istiyor musunuz? [E/H] E)

2. Adıma geçmek için [H] girin.

Kurulum sihirbazına devam etmek için [E] girin. Aşağıdaki bilgiler görüntülenir:

To setup the SNMP management account you must specify the management system IP address and the "community string" or password that the particular management system uses to access the switch. The wizard automatically assigns the highest access level [Privilege Level 15] to this account. You can use Dell Network Manager or other management interfaces to change this setting later, and to add additional management system later. For more information on adding management systems, see the user documentation.

To add a management station:

Please enter the SNMP community string to be used: [MYSETUPWIZARD] >> Dell Network Manager

(SNMP yönetim hesabını ayarlamak için yönetim sistemi IP adresini ve ilgili yönetim sisteminin anahtara erişmek için kullandığı "topluluk dizesi" veya parolası belirtmelisiniz. Sihirbaz otomatik olarak bu hesaba en yüksek erişim düzeyini [Ayrıcalık Düzeyi 15] atar. Bu ayarı daha sonra değiştirmek ve yeni yönetim sistemi eklemek için Dell Ağ Yöneticisini veya diğer yönetim arayüzlerini kullanabilirsiniz. Yönetim sistemleri ekleme konusunda daha fazla bilgi için kullanıcı belgelerine bakın.

Yönetim istasyonu eklemek için:

Lütfen kullanılacak SNMP topluluğu dizesini girin: [MYSETUPWIZARD] >> Dell Ağ Yöneticisi)

Bir Yönetim İstasyonundan yönetmek için lütfen Yönetim Sisteminin IP adresini (A.B.C.D) veya joker karakter (0.0.0.0) girin (örneğin, 192.168.1.10). **Enter** tuşuna basın.

## Sihirbaz Adımı 2

Aşağıdaki bilgiler görüntülenir:

```
Now we need to setup your initial privilege (Level 15) user account.
This account is used to login to the CLI and Web interface. You may
setup other accounts and change privilege levels later. For more
information on setting up user accounts and changing privilege
levels, see the user documentation.
```

```
To setup a user account:
```

```
Please enter the user name:
```

```
Please enter the user password:
```

```
Please reenter the user password:
```

(Şimdi başlangıç ayrıcalığı (Düzey 15) kullanıcı hesabınızı ayarlamamız gerekiyor. Bu hesap CLI'da ve Web arayüzünde oturum açmak için kullanılır. Daha sonra başka hesaplar oluşturabilir ve ayrıcalık düzeylerini değiştirebilirsiniz. Kullanıcı hesapları oluşturma ve ayrıcalık düzeylerini değiştirme ile ilgili daha fazla bilgi için kullanıcı belgelerine bakın.

Bir kullanıcı hesabı oluşturmak için:

Lütfen kullanıcı adını girin:

Lütfen kullanıcı parolasını girin:

Lütfen kullanıcı parolasını tekrar girin:)

Aşağıdakileri girin:

- Kullanıcı adı (örneğin, "yönetici")
- Parola ve parola onayı.



**NOT:** Birinci ve ikinci parola girişi aynı olmazsa, sistem size bunu bildirir.

**Enter** tuşuna basın.

### Sihirbaz Adımı 3

Aşağıdaki bilgiler görüntülenir:

```
Next, an IP address is setup. The IP address is defined on the
default VLAN (VLAN #1), of which all ports are members. This is the
IP address you use to access the CLI, Web interface, or SNMP
interface for the switch.
```

To setup an IP address:

```
Please enter the IP address of the device (A.B.C.D):
```

```
Please enter the IP subnet mask (A.B.C.D or /nn):
```

(Sonra, bir IP adresi oluşturulur. Tüm bağlantı noktalarının üyesi olduğu varsayılan VLAN'da (VLAN 1) IP adresi tanımlanır. Bu, anahtar için CLI, Web arayüzü veya SNMP arayüzüne erişmek üzere kullandığımız IP adresidir.

Bir IP adresi oluşturmak için:

Lütfen aygıtın IP adresini girin (A.B.C.D):

Lütfen IP alt ağ maskesini girin (A.B.C.D veya /nn):

IP adresini ve IP alt ağ maskesini girin (örneğin IP adresi olarak 192.168.1.100, IP alt ağ maskesi olarak 255.255.255.0).

**Enter** tuşuna basın.

### Sihirbaz Adımı 4

Aşağıdaki bilgiler görüntülenir:

```
Finally, setup the default gateway. Please enter the IP address of
the gateway from which this network is reachable
(e.g. 192.168.1.1):
```

(Son olarak, varsayılan ağ geçidini ayarlayın. Lütfen bu ağın erişildiği ağ geçidinin IP adresini girin (örneğin, 192.168.1.1):)

Varsayılan ağ geçidini girin.

**Enter** tuşuna basın. Aşağıdakiler görüntülenir (açıklanan örnek parametrelere göre):

```
This is the configuration information that has been collected:
```

```
SNMP Interface = "Dell Network Manager"@192.168.1.10
```

```
User Account setup = admin
```

```
Password = *****
```

```
Management IP address = 192.168.1.100 255.255.255.0
```

```
Default Gateway = 192.168.1.1
```

(Bu, toplanan yapılandırma bilgileridir:

```
SNMP Arayüzü = "Dell Ağ Yöneticisi"@192.168.1.10
```

```
Kullanıcı Hesabı kurulumu = admin
```

```
Parola = *****
```

```
Yönetim IP adresi = 192.168.1.100 255.255.255.0
```

```
Varsayılan Ağ Geçidi = 192.168.1.1)
```

## **Sihirbaz Adımı 5**

Aşağıdaki bilgiler görüntülenir:

```
If the information is correct, please select (Y) to save the configuration, and copy to the start-up configuration file. If the information is incorrect, select (N) to discard configuration and restart the wizard: [Y/N]
```

(Bilgiler doğruysa, lütfen yapılandırmayı kaydetmek ve başlangıç yapılandırma dosyasını kopyalamak için (E) harfini seçin. Bilgiler yanlışsa, yapılandırmayı yoksaymak ve sihirbazı yeniden başlatmak için (H) harfini seçin: [E/H])

Sihirbazı yeniden başlatmak için [H] harfini seçin.

Kurulum sihirbazını tamamlamak için [E] harfini seçin. Aşağıdakiler görüntülenir:

```
Thank you for using Dell Easy Setup Wizard. You will now enter CLI mode.
```

(Dell Kolay Kurulum Sihirbazını kullandığınız için teşekkür ederiz. Şimdi CLI moduna geçeceksiniz.)

## **Sihirbaz Adımı 6**

CLI istemi görüntülenir. Daha fazla bilgi için *PowerConnect 5400 Serisi Kullanıcı Kılavuzu*'na bakın.





ONG720A01

Printed in Malaysia.  
马来西亚印制 .  
Vytisťeno v Malajzii.  
Imprimé en Malaisie.  
Gedruckt in Malaysia.  
Εκτυπώθηκε στη Μαλαισία.  
말레이시아에서 인쇄 .  
Wydrukowano w Malezji.  
Impreso en Malasia.  
הודפס במאלזיה.  
Malezya'da basılmıştır.